



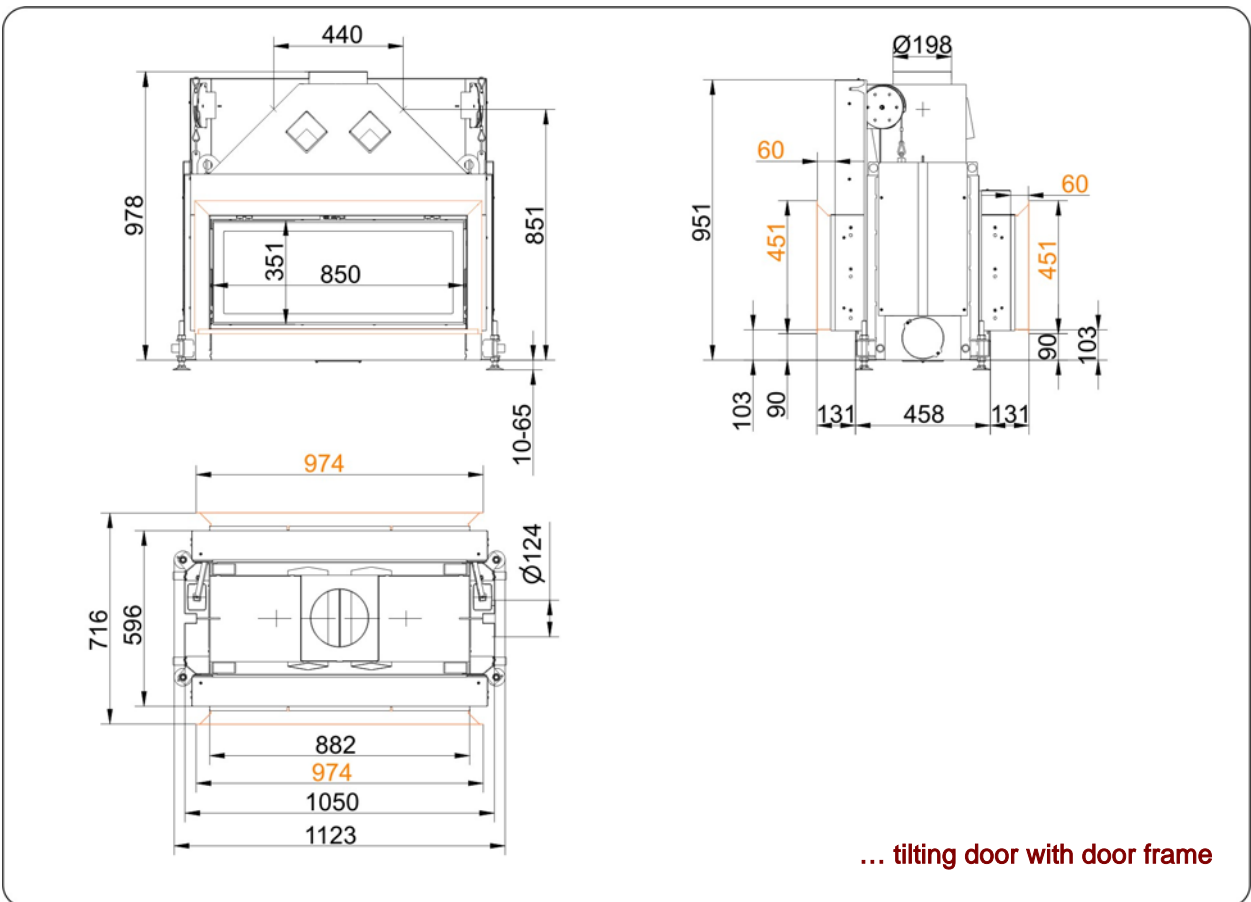
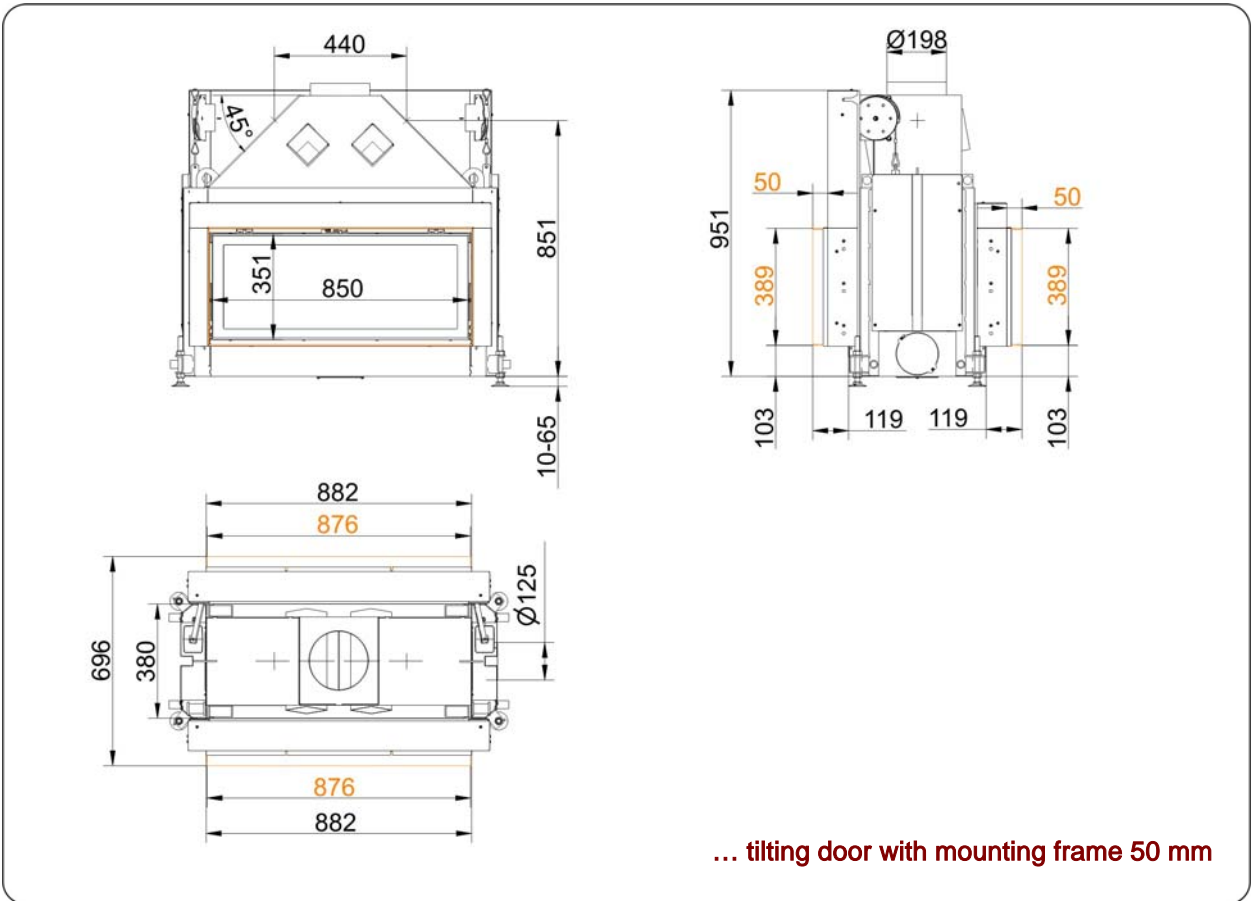
Architektur-Tunnel 38/86 lifting doors

Version 4.6



BRUNNER[®]
made in germany

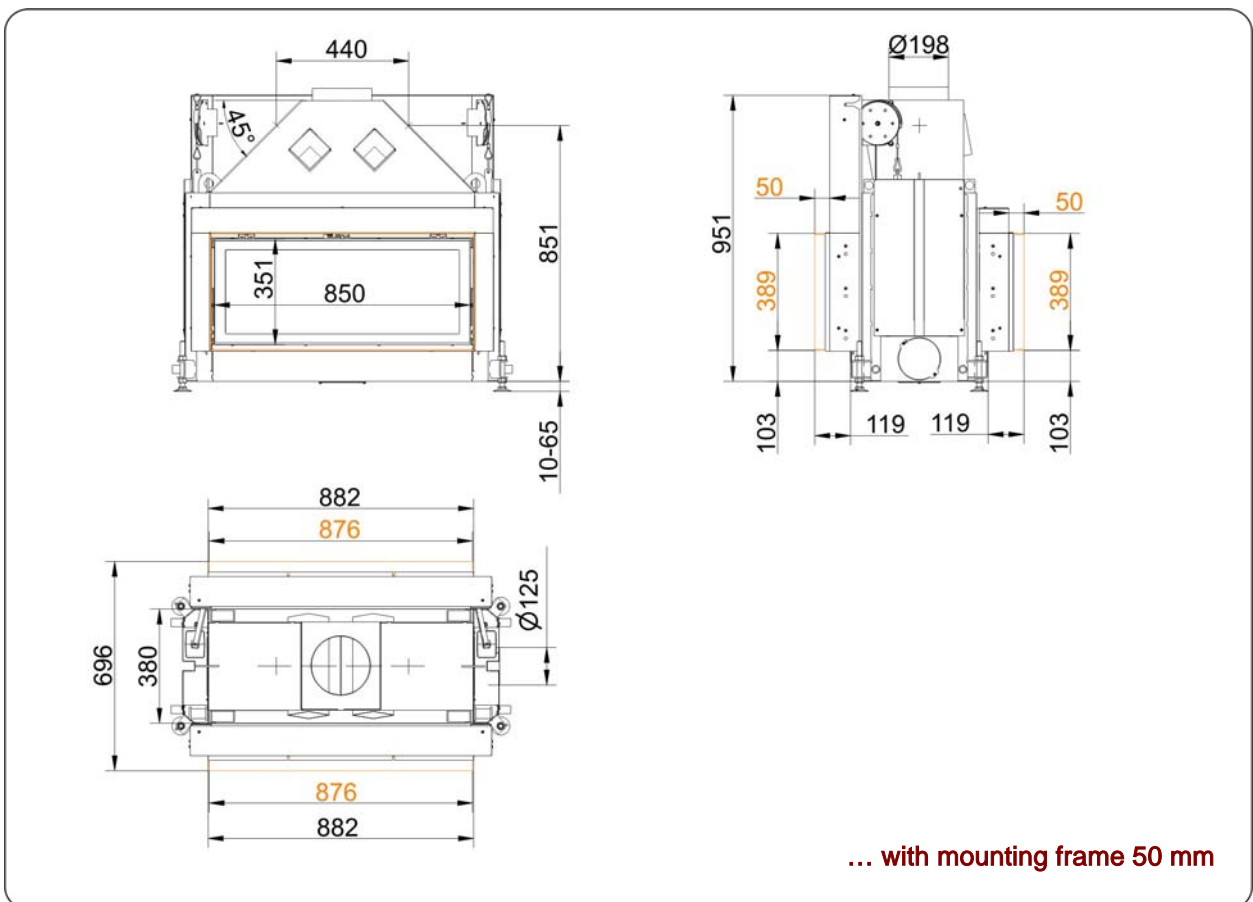
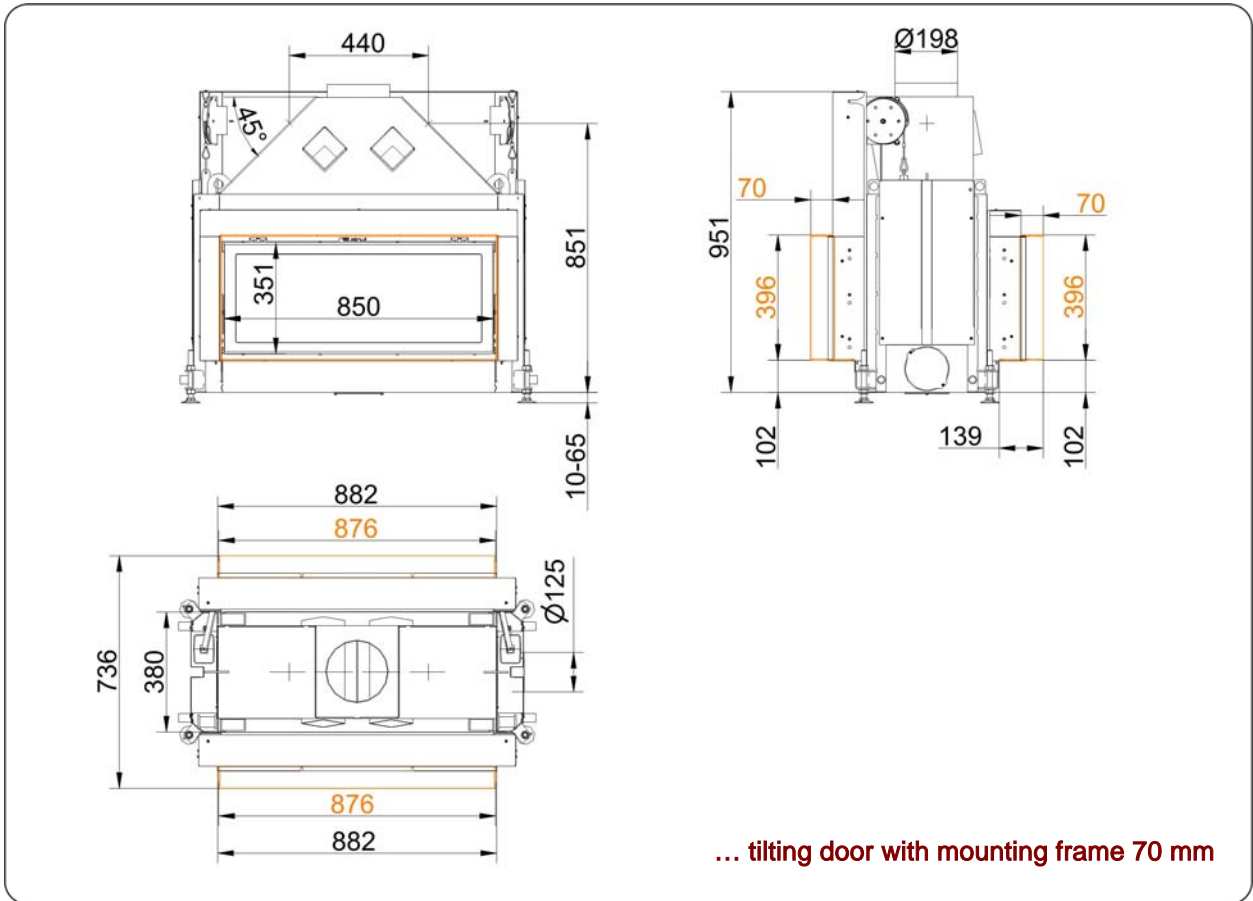
Dimension sheet | **Architektur-Tunnel 38/86 lifting doors**



We suggest for CAD planing Palette CAD. Permanent updated drawings: www.brunner.de

Frames / front versions are marked colored. Smoke pipe adapter fixed on the side is available against surcharge.

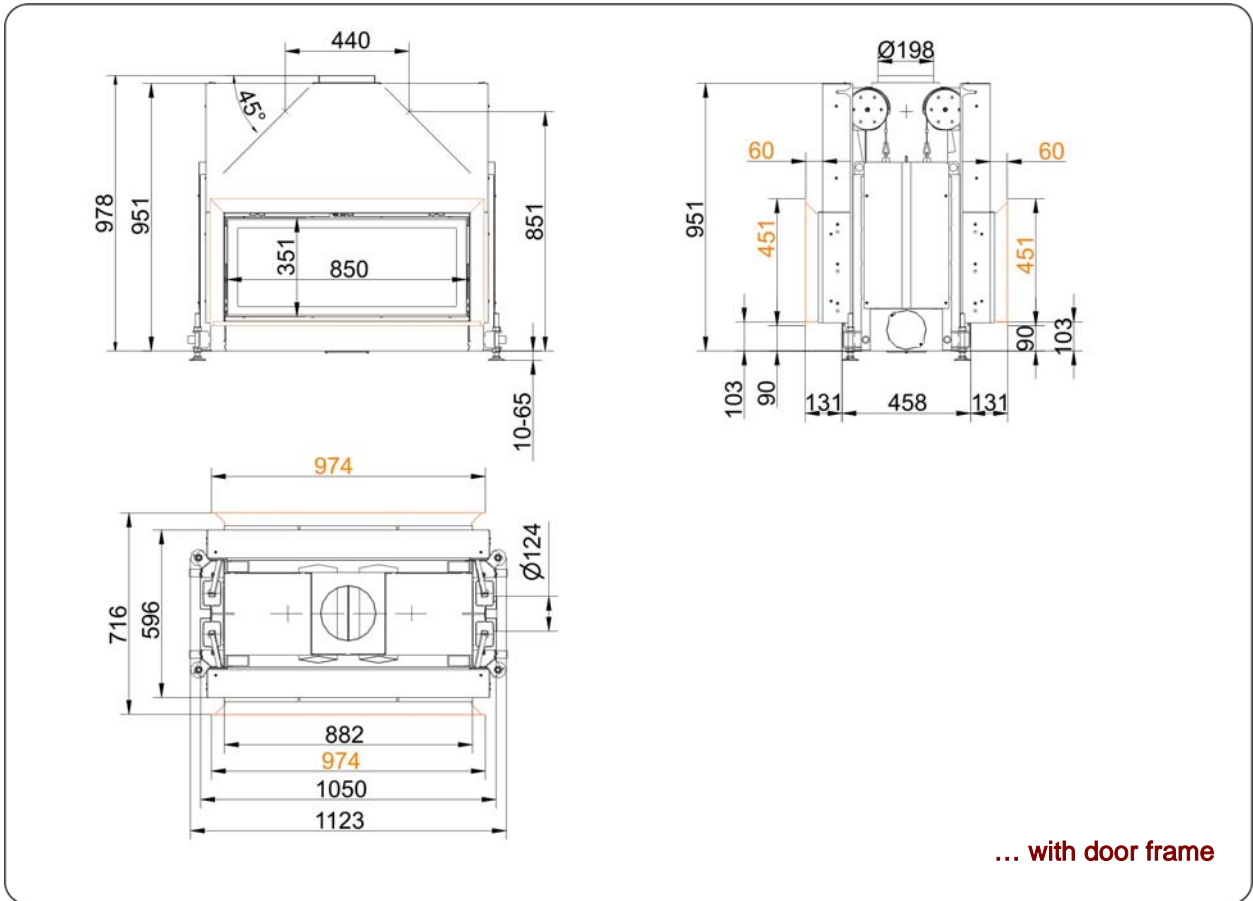
Dimension sheet | **Architektur-Tunnel 38/86 lifting doors**



We suggest for CAD planing Palette CAD. Permanent updated drawings: www.brunner.de

Frames / front versions are marked colored. Smoke pipe adapter fixed on the side is available against surcharge.

Dimension sheet | **Architektur-Tunnel 38/86 lifting doors**



We suggest for CAD planing Palette CAD. Permanent updated drawings: www.brunner.de

Frames / front versions are marked colored. Smoke pipe adapter fixed on the side is available against surcharge.

Planning and installation

Architektur-Tunnel 38/86

Tested according to	EN 13229 W	EN 13229 W
Values measured at	nominal load	open door
Suitable for all construction types according to rules	OK	OK
Data for functional demonstration		
Rated heat power	kW 10	-
Firewood consumption	kg/h 3,1	3,1
Combustion performance	kW 13,5	13,5
Flue gas mass flow	g/s 11	75
Outlet temperature (before heating surface)	°C -	-
Flue gas temperature after		
attached steel smoke hood	°C 220	135
adjoining cast iron radiator (GNF10)	°C -	-
accumulation rings (MAS) ¹⁾	°C -	-
adjoining ceramic accumulator ²⁾	°C -	-
ceramic modular accumulator (KMS system)	°C -	-
water boiler	°C -	-
Necessary supply pressure	Pa 12	6
Combustion air consumption	m ³ /h 30	200
Combustion air connection Ø	mm 125	-
Heat distribution		
Insert / heating surface	% 50 / -	- / -
Glass (single / double)	% 50 / -	- / -
Boiler	% -	-
Cross-section of gratings for max. warm air power		
Supply air	cm ² 800	0
Warm air	cm ² 800	0
Minimal oven surface for closed construction type		
Surface giving off heat	m ² 3,0	-
Space inside oven chamber		
Distance to oven chamber wall	cm 8	8
Distance to floor	cm -	-
Heat insulation without / with ³⁾ air gratings		
Wall	cm 16 / 12	16 / 12
Floor	cm 2 / 2	2 / 2
Ceiling	cm 28 / 20	28 / 20
Insulation of additional fire door DHT	cm -	-
Brick lining of protected walls	cm 10	10
Weight		
Fireplace + burning chamber	kg	180 + 51
Approvals		
Germany / Austria / Switzerland	1.BImSchV (Stufe 1) / 15a BVG / LRV	

1) Throttle flap recommended

2) Approximate value, must be calculated eventually

3) Values with air gratings, stove casing is heat conducting

Ulrich Brunner GmbH
Zellhuber Ring 17 -18
D-84307 Eggenfelden
Phone: +49 / (0)87 21 / 7 71-0
Fax: +49 / (0)87 21 / 7 71-100
info@brunner.de | www.brunner.de

The logo for Brunner, featuring the word "BRUNNER" in a bold, sans-serif font. The letters are filled with a horizontal line pattern, giving it a textured appearance. A registered trademark symbol (®) is located at the top right of the logo.

BRUNNER products are offered and sold only by qualified dealers and service centres.
Subject to technical and assortment changes. Errors excepted. (7/10)