

FOYER AX DF 1000 POST-COMBUSTION

Standard NF – EN 13229 Guaranteed by C.T.I.F.

Type : I.S.B. SF. EM



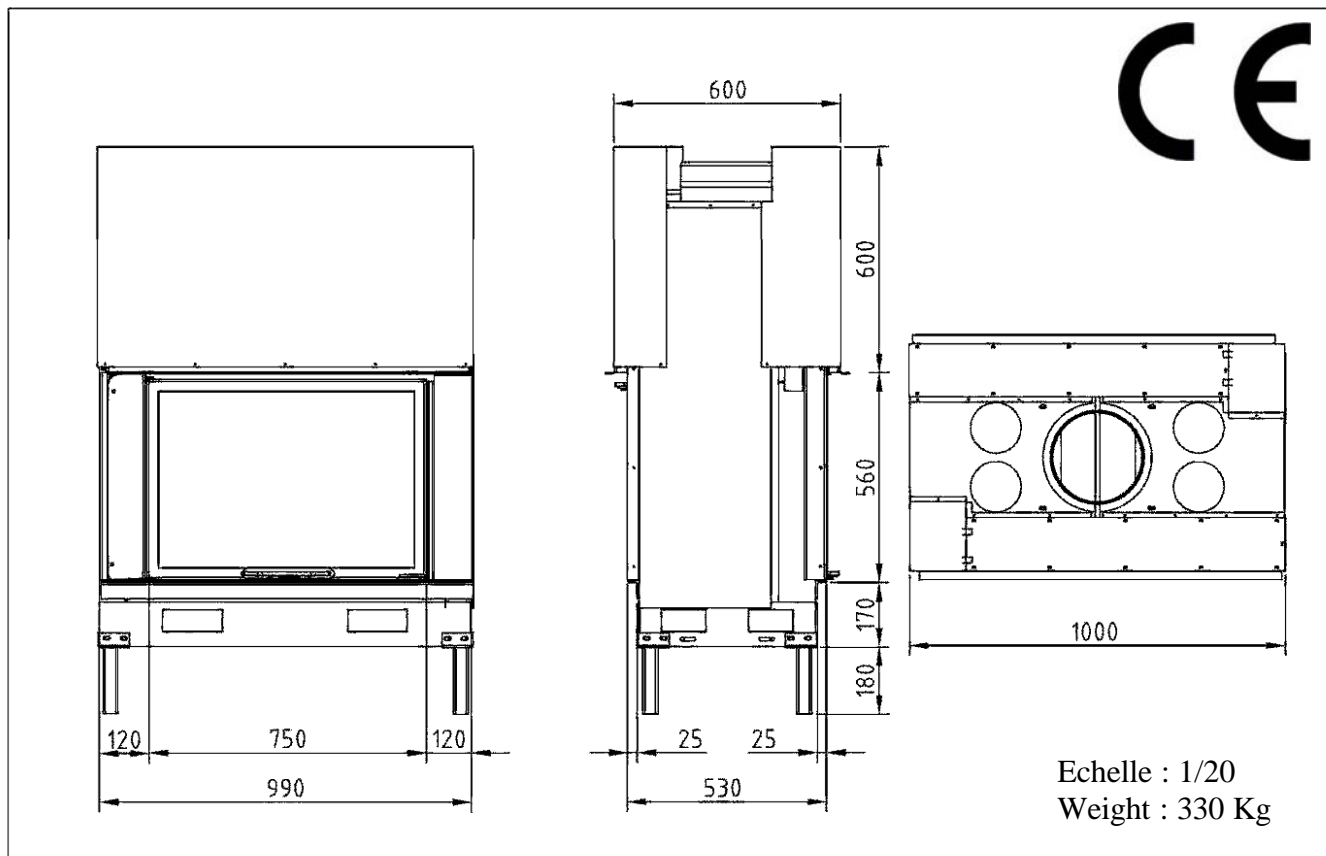
- nominal power : **12.9 kwh**
- consumption : 6.2 Kgh
- appliance Co : **0,28%**
- appliance efficiency : **65.2 %**
- % of losses by non burning solids : 0
- Autonomy of heater => 10 H 00 am with inertia of the fireproof
- Authorized fuel : wood to 15 % of humidity

CONDITION OF EXPLOITATION

- imperative fresh inflow of air : 300 cm² minimum
- inflow of air convection : 600 cm² minimum, so necessary to kick away the detachable opercules.
- Hot air outlets : 647 cm² minimum

STANDARD EQUIPEMENTS

- order of valve exhaust of smoke with automatic opening when the door lift up
- carenage of door
- dubbing of convection
- directional and detachable inflows of fresh air
- removable feet
- smoke evacuation Ø 250 – hot air outlets Ø 125 (4)



AXIS : ZA La Pélessière – 01300 BELLEY FRANCE

Tél : 33 (0)4 79 81 10 50 – Fax : 33 (0)4 79 42 21 24

Email : mbondot@aol.com / Site internet : www.cheminees-axis.com