

# FOYER AX B 900 POST-COMBUSTION

Standard NF – EN 13229 Guaranteed by C.T.I.F.

Type : I.S.B. SF. EM



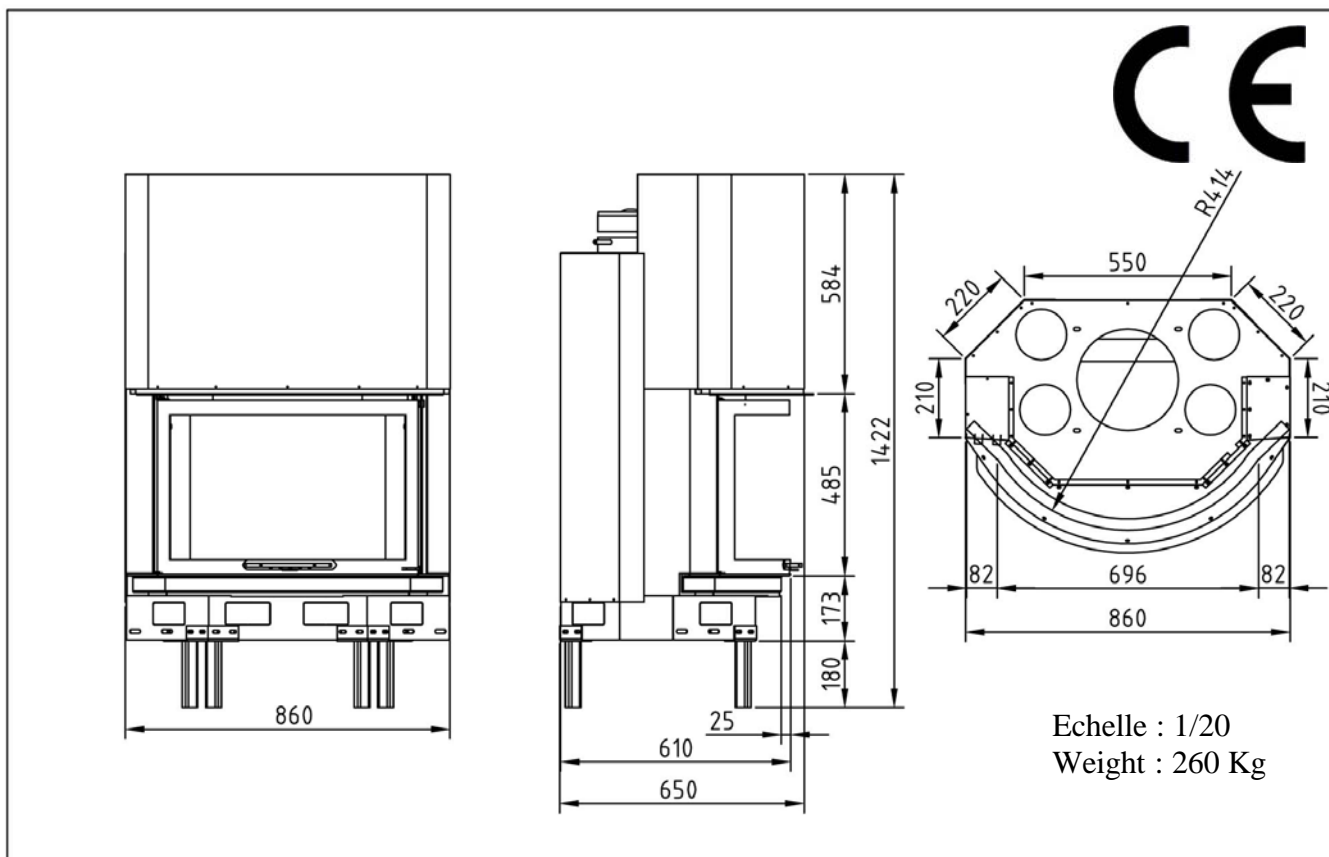
- nominal power : **13 kwh**
- consumption : 5.20 Kgh
- appliance Co : **0,14%**
- appliance efficiency : **66.5 %**
- % of losses by non burning solids : 0
- Autonomy of heater => 10 H 00 am with inertia of the fireproof
- Authorized fuel : wood to 15 % of humidity

## CONDITION OF EXPLOITATION

- imperative fresh inflow of air : 300 cm<sup>2</sup> minimum
- inflow of air convection : 600 cm<sup>2</sup> minimum, so necessary to kick away the detachable opercules.
- Hot air outlets : 647 cm<sup>2</sup> minimum

## STANDARD EQUIPEMENTS

- order of valve exhaust of smoke with automatic opening when the door lift up
- carenage of door
- dubbing of convection
- directional and detachable inflows of fresh air
- removable feet
- smoke evacuation Ø 230 – hot air outlets Ø 125 ( 4 )



AXIS : ZA La Pélessière – 01300 BELLEY FRANCE

Tél : 33 (0)4 79 81 10 50 – Fax : 33 (0)4 79 42 21 24

Email : mbondot@aol.com / Site internet : www.cheminees-axis.com