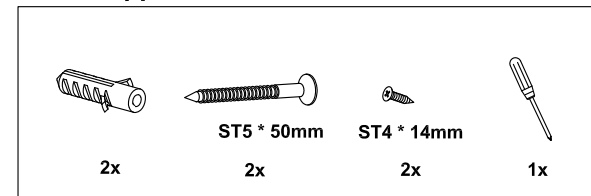


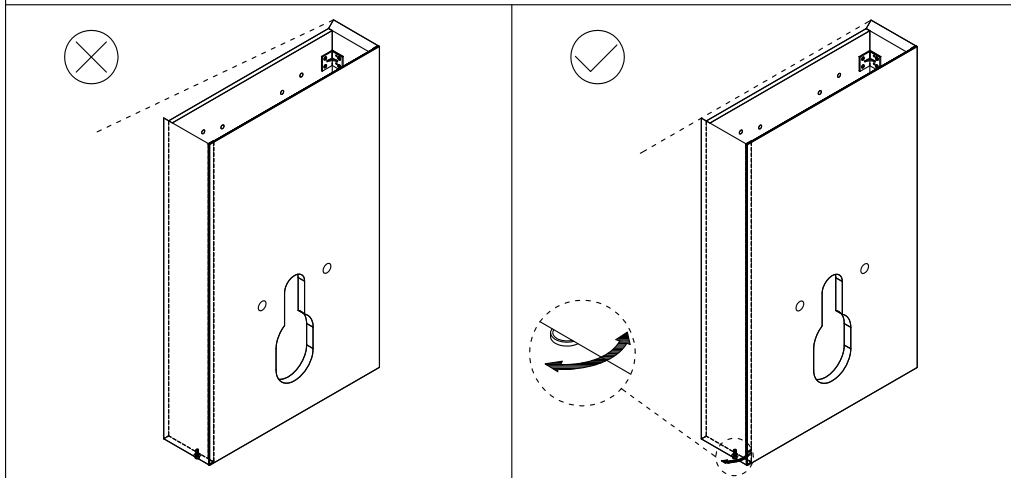
IMPORTANT: This unit must be securely fixed to a wall. Ensure that the top is horizontal before marking the wall for fixing. The wall fixings supplied may not be suitable for your installation. You may need to source alternatives depending on the material and strength of the wall you are fixing to.

Care and Maintenance: This is a wood product, and has a water resistant finish. It should not be left wet, and the quality of the finish is best maintained if it is wiped with a dry cloth after use. It should only be cleaned using a soft damp cloth followed by a dry cloth. Do not use bleach or any abrasive cleaner.

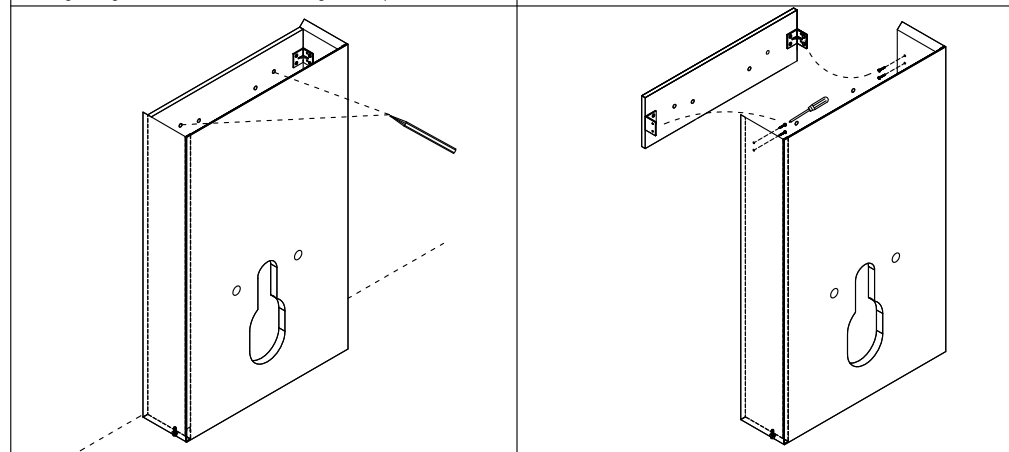
Parts Supplied:



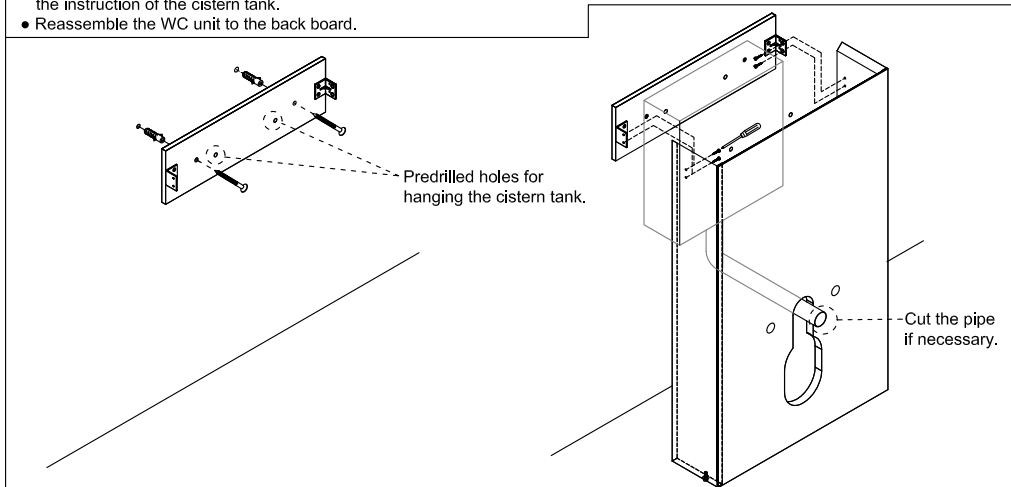
- Place the WC unit in final position, and check for level. If not, please adjust the 2 feet at the bottom of the WC unit.



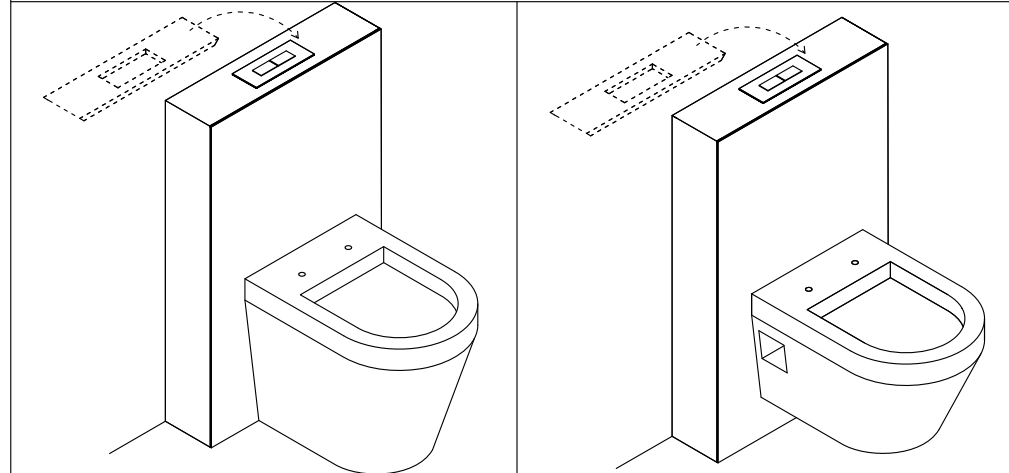
- Make the holes mark onto the wall as per the holes of back board, remove the back board from the carcass. Note: If you would like to install wall hung pan, please set wall hung frame properly before you fix the WC unit to the back board. Regarding the installation of wall hung frame, please refer to the instruction of the frame.



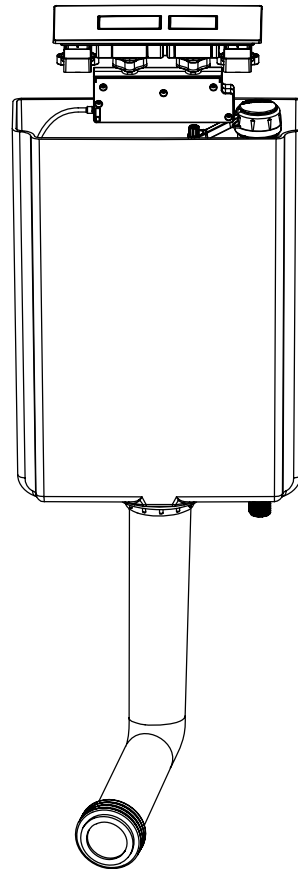
- Fix the back board onto the wall, hang the cistern tank onto the back board. For the detailed cistern tank installation, please refer to the instruction of the cistern tank.
- Reassemble the WC unit to the back board.

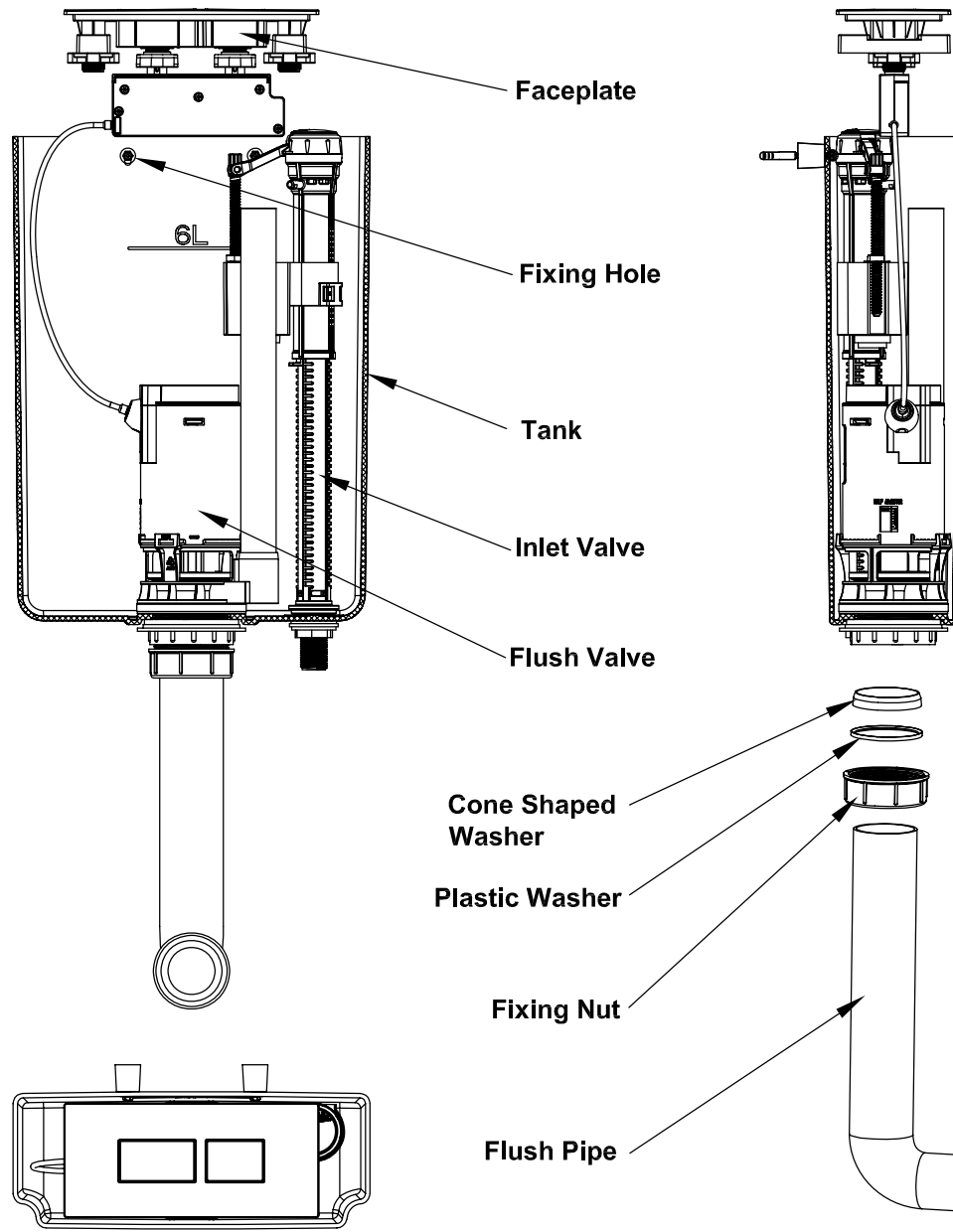


- Fit the pan onto the WC unit. For wall hung installation, it is recommend to put foam insert between the glass and the ceramic.

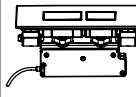






Installation Instructions for Cistern Tank With Top Rectangular Dual Flush Plate





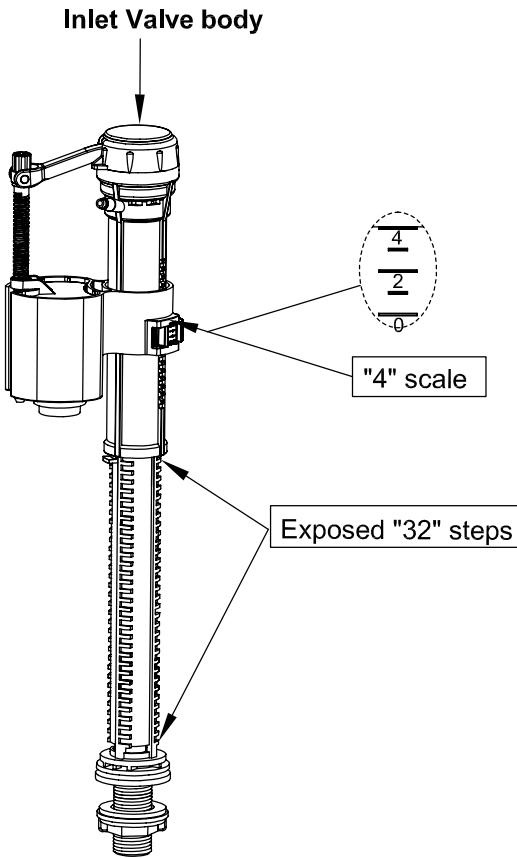
Parts Supplied:

Dual Flush Button	Rubber Washer	Fixing Screw	Iron Washer	Seal Washer
		 ST4.2 *23mm		
1x	2x	2x	2x	1x

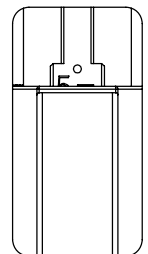
Inlet Valve & Flush Valve Scale Setting

The Inlet Valve & Flush Valve are preset to perform the 6.0L of Full Flush volume and the 3.0L of Half Flush volume.
If the preset scale setting needs to be adjusted, please follow the diagram below.

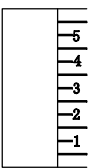
6.0 Litre Full Flush Volume
3.0 Litre Half Flush Volume



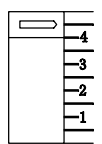
① HALF FLUSH FLOAT

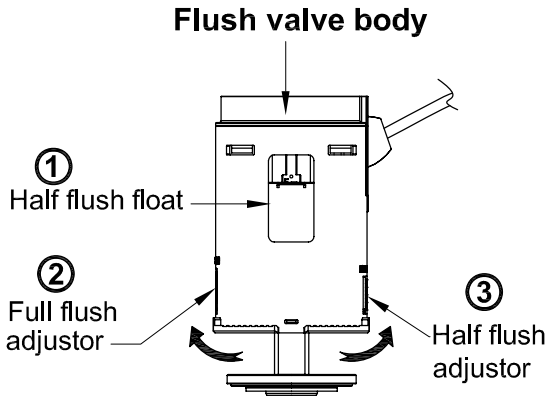


② FULL ADJUSTOR



③ HALF ADJUSTOR



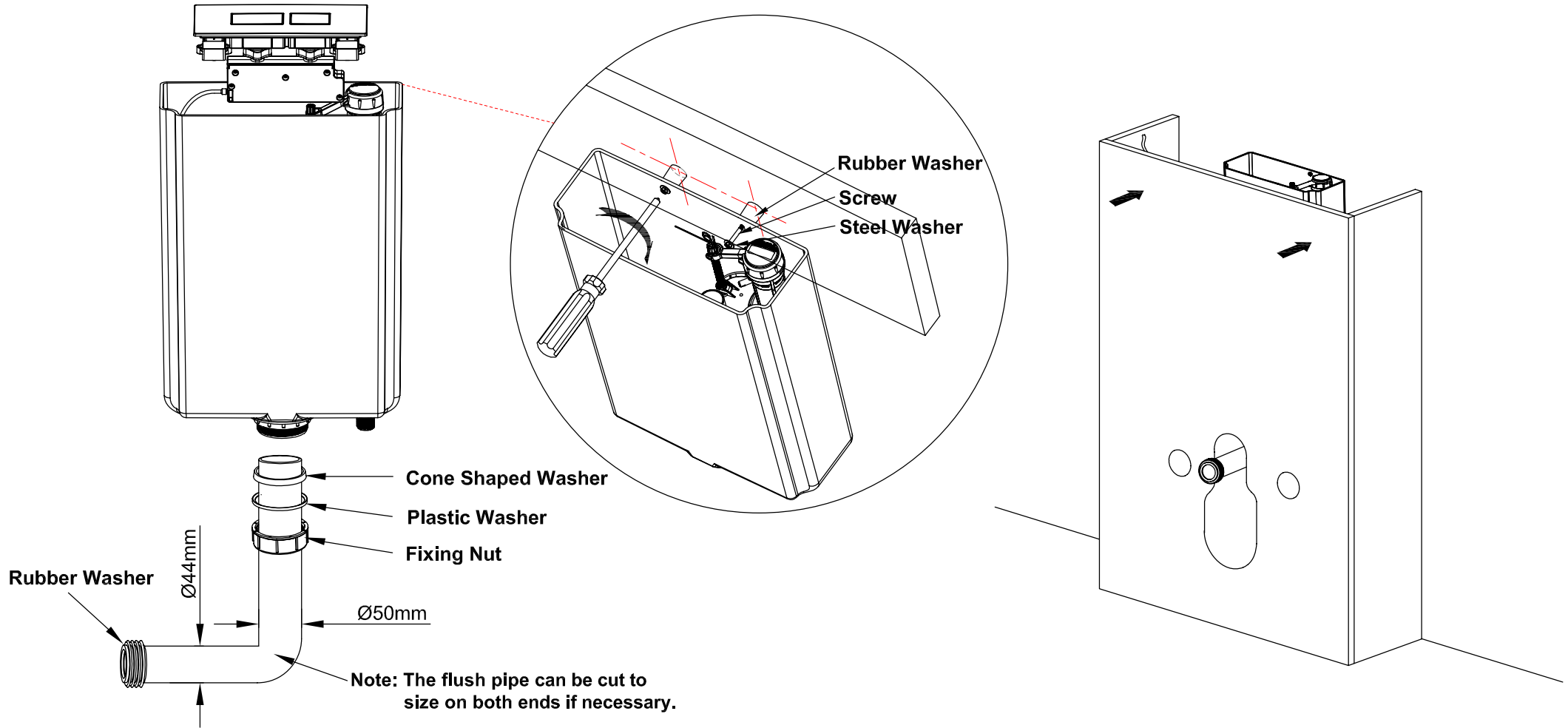


- ① Adjust half flush float:
The half float is set at "full open", to reach flushing volume of 3.0 litres.
(in this case, the half flush adjustor should be set at 3 as well.)
- ② Adjust full flush adjustor:
The full flush adjustor is set at "full close", to reach flushing volume of 6.0 litres.
- ③ Adjust half flush adjustor:
The half flush adjustor is set at "full open", to reach flushing volume of 3.0 litres.

For the further information, please go to the Inlet Valve & Flush Valve Problem Solving pages (5, 6 & 7).

2 - 7

A



3. With the rubber washer placed between the WC unit and the tank, fix the tank to the pre-drilled holes on the WC unit with the screws provided.

Place the fixing nut, plastic washer and cone shaped washer onto the end of the flush pipe with diameter 50mm.

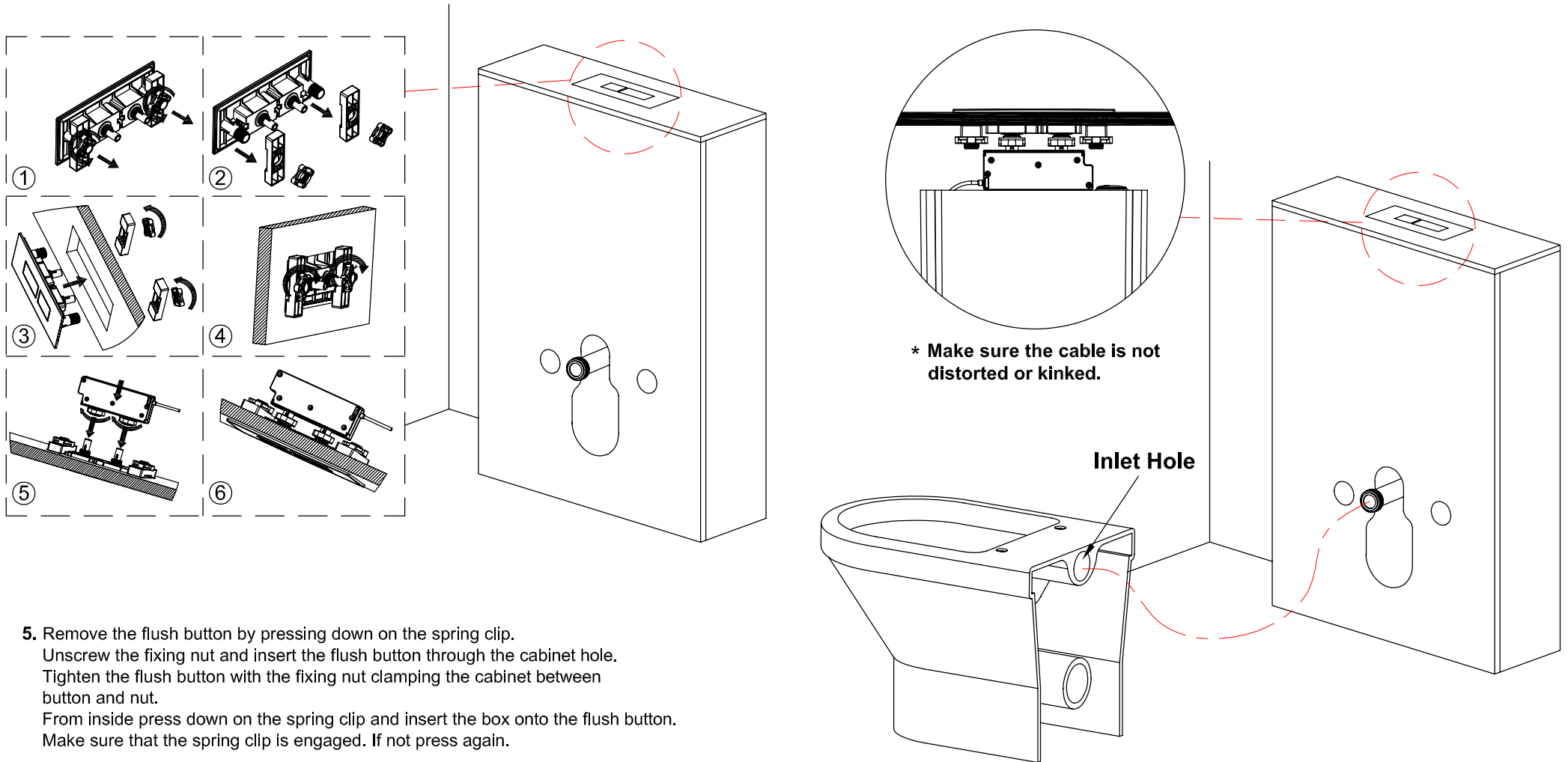
Insert the end into the base of the flush valve.

Slide the conical washer and plastic washer up to the outlet and then hand tighten the fixing nut.

Place the rubber washer onto other end of the flush pipe.

4. Install the WC unit.

Refer to the WC unit installation instruction for cabinet.

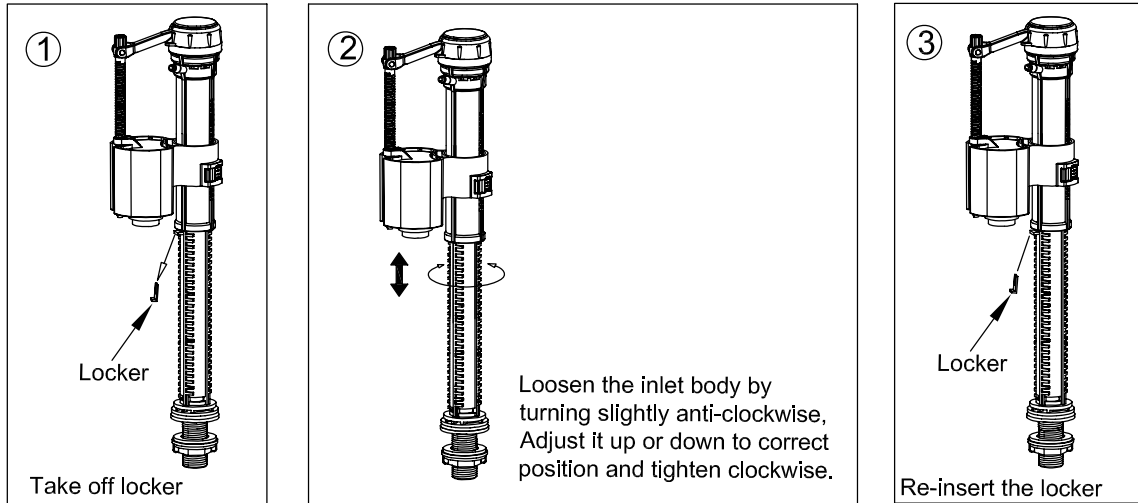


5. Remove the flush button by pressing down on the spring clip.
 Unscrew the fixing nut and insert the flush button through the cabinet hole.
 Tighten the flush button with the fixing nut clamping the cabinet between
 button and nut.
 From inside press down on the spring clip and insert the box onto the flush button.
 Make sure that the spring clip is engaged. If not press again.

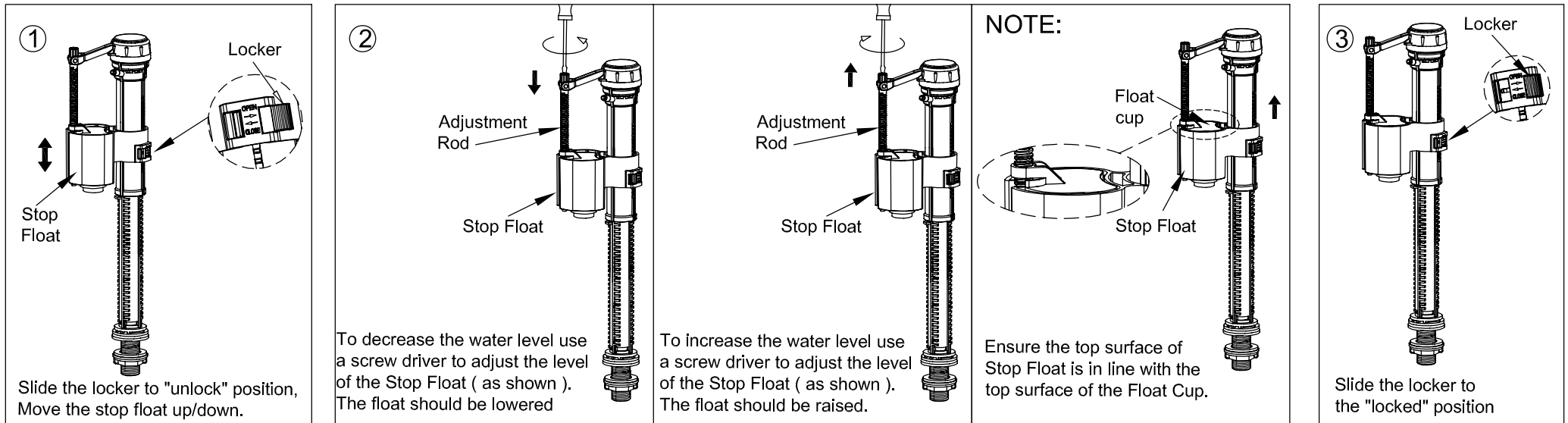
Inlet Valve Installation And Problem Solving

1: Inlet Valve scale and adjustment settings

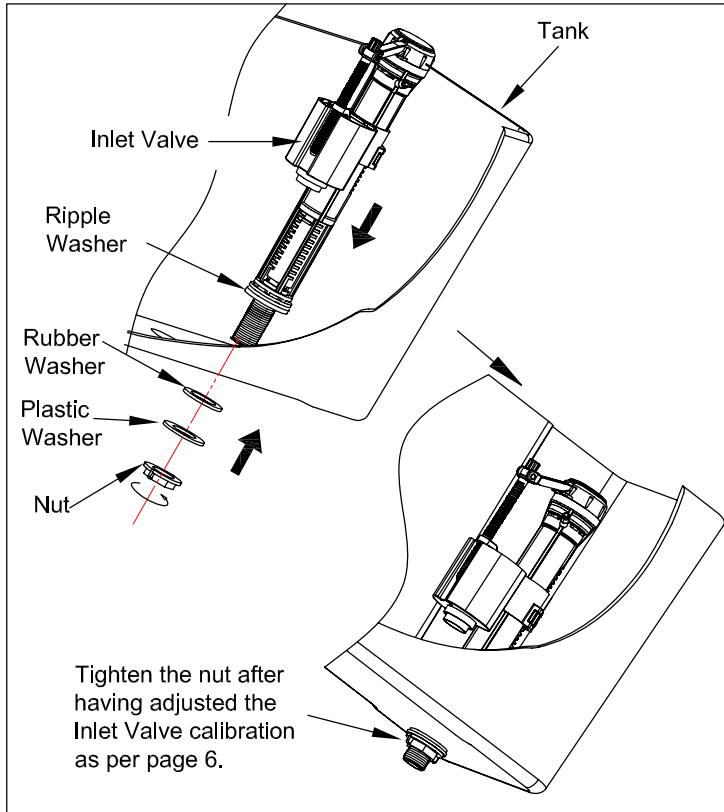
A: Major water level adjustment



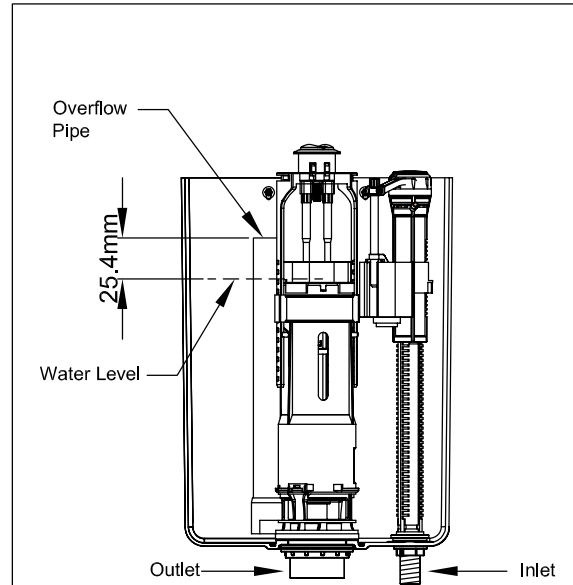
B: Minor water level adjustment



2: Inlet Valve installation



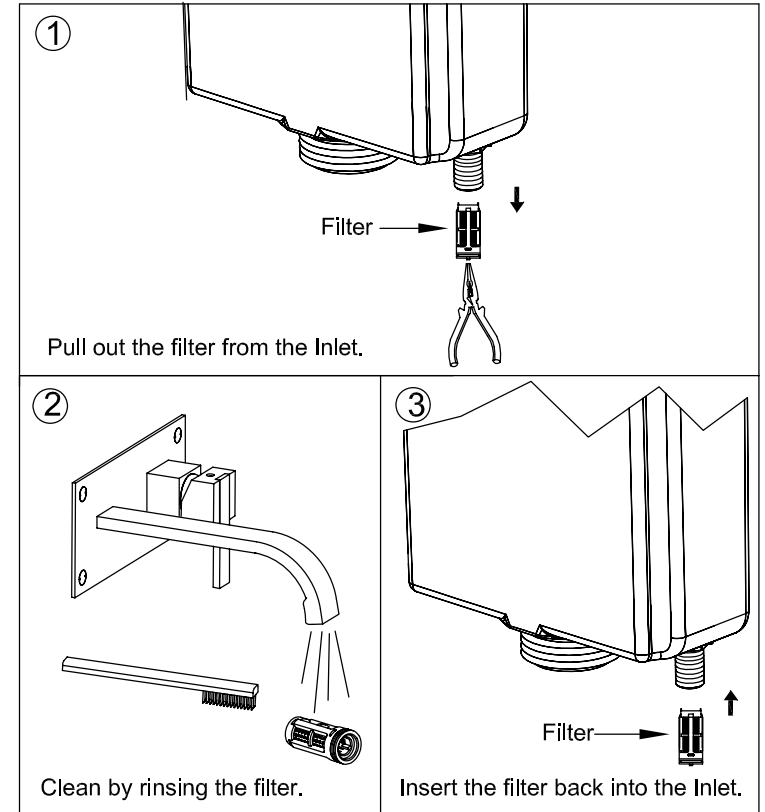
3: Testing Water Level



Note:

1. Ensure that the float cup operates freely after installation.
2. The water level should be 25.4mm lower than the top of the overflow pipe.

4: Filter cleaning(Please clean periodically)

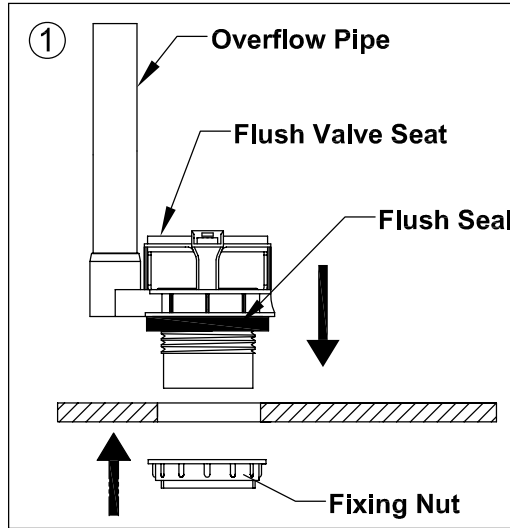


5: Inlet Valve trouble shooting

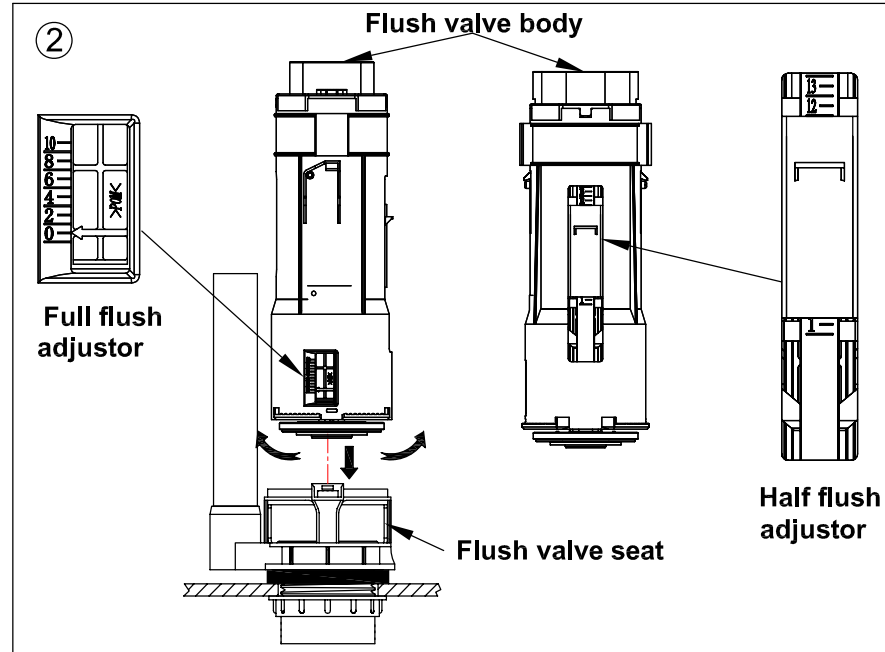
Problem	Reason	Solution
Incorrect water level	Incorrect adjustment.	Adjust the Water level correctly as per page 6.
Inlet Valve does not work	Water supply is closed.	Open the water supply.
	The filter is blocked.	Clean the filter.
	The Stop Float has been over adjusted beyond its operational range.	Reconnect the Adjustment Rod, and adjust the water level as per A on page 6.
Leakage	The Inlet Valve fixing nut has not been tightened.	Tighten the nut.

Flush Valve Installation And Trouble Shooting

I. Flush Valve installation and adjustment settings



Insert flush valve seat attached with flush seal into tank flush hole, then screw up the fixing nut.



Insert flush valve body into flush valve seat, rotate it until it fixes onto the clip.

1. Adjust half flush adjustor:

- ① Move float up, half flush volume decreases.
- ② Move float down, half flush volume increases.

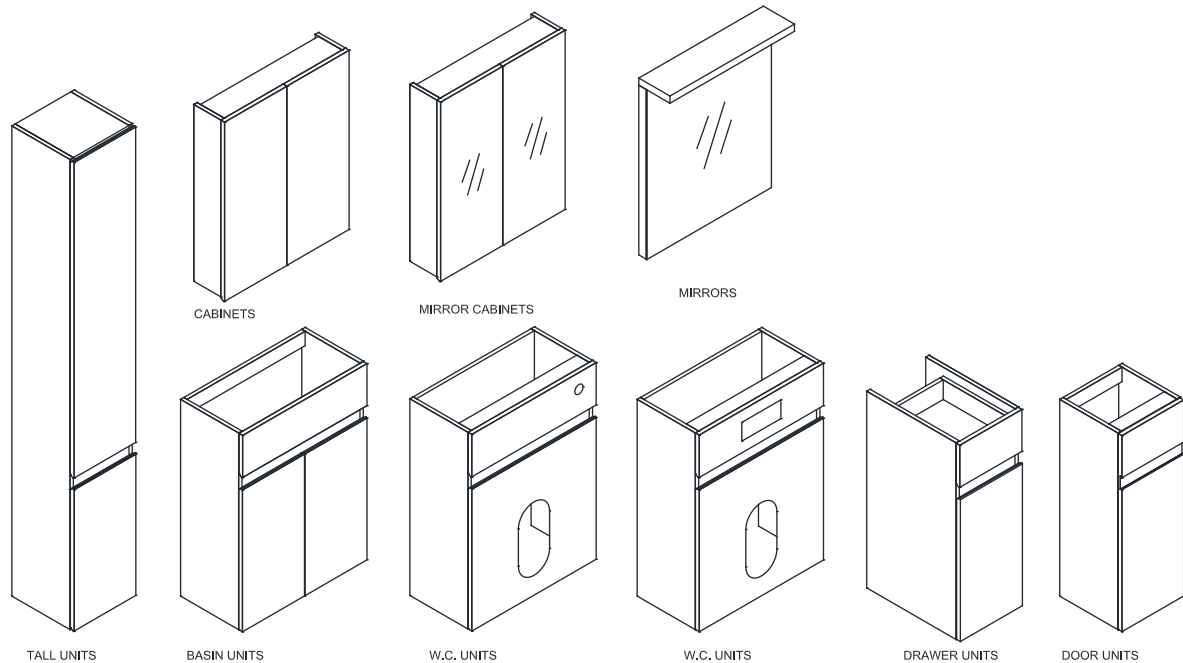
2. Adjust full flush adjustor:

- ① Move adjustor up, full flush volume decreases.
- ② Move adjustor down, full flush volume increases.

II. Flush Valve Problem Solution

Problem	Reason	Solution
Leakage	<ul style="list-style-type: none"> 1.Incorrect installation. 2.The push rod is too long causing a gap between the valve and the seat. 3.Flush valve seat does not fit on the flush valve body. 4.Flush valve body is stuck. 	<ul style="list-style-type: none"> 1.Install again according to the correct installation procedure. 2.Adjust the push rod length. (see page 5) 3.Install again, ensuring both surfaces are clean for a water tight seal. 4.Take off and wash flush valve body.
Can't flush, low flush or half flush volume	Push rod is too short.	Adjust the push rod length. (see page 5)
Half flush water level is too high or too low.	Water level is adjusted incorrectly.	Adjust water level.

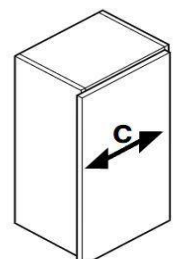
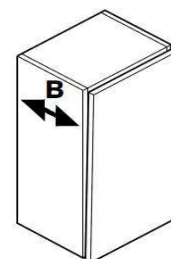
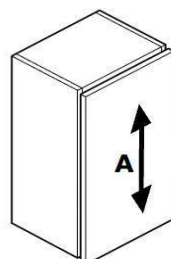
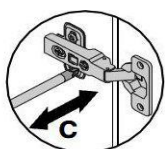
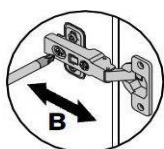
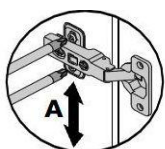
All raw and / or cut edges MUST be sealed against water ingress. The includes all edges of the cabinet units and the work tops. Failure to do so will lead to water damage and invalidate the warranties and guarantees.



IMPORTANT INSTRUCTIONS - READ BEFORE STARTING INSTALLATION WORK

1. Check the furniture for defects prior to installation. No claim for defects will be accepted after installation if these would have been apparent from a pre-installation inspection. Please do NOT install as returns will not be accepted once fitted.
2. We advise that you use a qualified person to install your units, as any issues relating to poor fitting will not be accepted by the supplier.
3. You have purchased a handmade and in some cases hand painted product. Therefore, you may see some slight imperfections which the supplier may deem as acceptable.
4. All raw and / or cut edges MUST be sealed against water ingress. The includes all edges of the cabinet units and the work tops. Failure to do so will lead to water damage and invalidate the warranties and guarantees.
5. Exposure to direct sunlight will cause discolouration of the product, especially any painted surfaces or wood veneers.
6. Due to motion during transportation, any pre- assembled furniture may require the cabinet doors and drawers to be adjusted after installation.
7. All furniture (including free standing furniture) must be securely fixed to the wall using suitable fixings. There are many different types of wall materials, so screws for anchoring the washstand to the wall are not included.
8. Basins must be secured to either the wall using basin mounting bolts where appropriate, or to the vanity unit silicone based adhesive. The basin (not supplied) Note that not all basins have this facility.
9. Wall hung units must be secured back to the wall using wall hanging brackets supplied. There are many different types of wall materials, so screws for anchoring the washstand to the wall are not included . It is the installers responsibility to ensure the unit is safely secured in such a way that it cannot be pulled or levered off the wall. If fixing to a stud or panelled wall, a suitable frame work must be installed which can adequately support the unit when in use.
10. The hinge on the Laundry Basket can be adjusted by slackening the screw on the side of the sliding bar.
11. When fixing to a stud or panelled wall, appropriate frame work should be installed to support the basins and units.
12. Where units or worktops have to be cut-out for services, all raw edges MUST be sealed against water ingress.

Hinge Adjustment



A- Vertical
Loosen screw 'A' on all hinges. Adjust door and retighten screw.

B- Lateral
Loosen screw 'B'. Adjust door and retighten screw.

C- Horizontal
Loosen screw 'B' 1/2 turn. Turn screw 'C' until door is positioned correctly and retighten screw 'B'.

Bathroom Furniture Cleaning and Maintenance Guide

Please follow this simple guide to protect your bathroom furniture from damage.

Melamine, Vinyl and Foil Wrapped Doors

Cleaning should be done with a soft damp cloth. Never use direct water contact on any of the carcass material of your unit as this will damage your furniture. Please dry the unit with a soft cloth after cleaning. Never use any abrasive cleaner, or a solvent based cleaner on your furniture. These will damage the finish of the surface leaving it discoloured and / or scratched.

High Gloss Doors

Use a cleaning product not containing aggressive substances like acetone, alcohol, bleach ... as those components could seriously damage the surface of the door. The best would be to use a soft cotton or micro fibre cloth with only water and soft soap (containing a maximum 1% of liquid soap)

Marks and Stains

Only use a damp cloth with mild soap to clean the surface. Never use bleaches, acetone, alcohol, aggressive surface cleaners or any abrasive cleaners.

Hinges and drawer runners

These will need adjusting from time to time. Please see the enclosed instructions.

Never use de-greasing agents for cleaning the hinges or runners - this will affect the action of the moving parts. Hinges and drawers are designed not to be weight bearing - never lean or place excessive weight on the doors or drawers. Doing so will invalidate the warranties and guarantees.

Work Tops

The work tops are designed for normal bathroom - however, they will be liable to stain if exposed to dyes, acetone or bleach. Hard objects or impacts will scratch the surface. Any spillage of make up, nail varnish or any other corrosive liquid should immediately be wiped off with a damp soft cloth.

Humidity

Please ensure the bathroom has adequate ventilation - excessive humidity and / or temperature will damage the product. This product is not suitable for a WET ROOM, or any other similar damp environment.

WATER DAMAGE

This product will be damaged by prolonged or excessive exposure to water / moisture. The product should be installed in a position which will protect it from any splashes or spillages. Additionally, water should not be allowed to stand or pool on any surface - these should be wiped dry as soon as possible. Failure to do so will damage the product and invalidate the warranties and guarantees.

Regulations

If it is your intention to remove and replace your bathroom fittings with "like for like" units, then this is classed as "non regulated" and no building regulations would be required. However, building regulation approval may be required if the bathroom refurbishment involves altering the drainage or the internal layout within the dwelling to accommodate the new fitting such as a second bathroom. In this instance, we would advise you to contact the Building Control Department at your local authority to discuss the need for a formal building regulation application.

Macerator - Current building regulations specify that a sanipump smallbore system can be fitted in a dwelling where there is also a normal gravity discharge W.C. It should not be the only W.C. facility.

Electrical - Remember that double pole isolating switches are required for all electrical points apart from special razor sockets. All work must conform to BS7671: 2008 the current I.E.E. Regulations.

None of the above in any way effect your statutory warranties and guarantees.