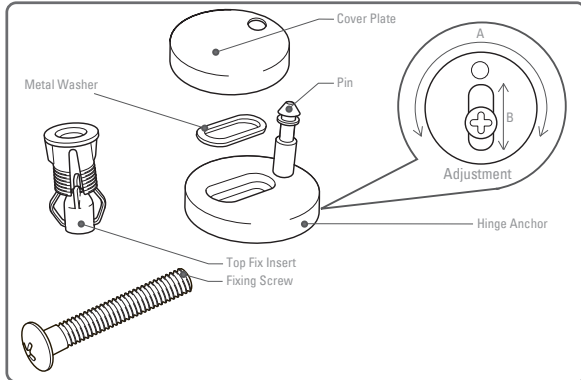


# DENVER SOFT CLOSE TOILET SEAT

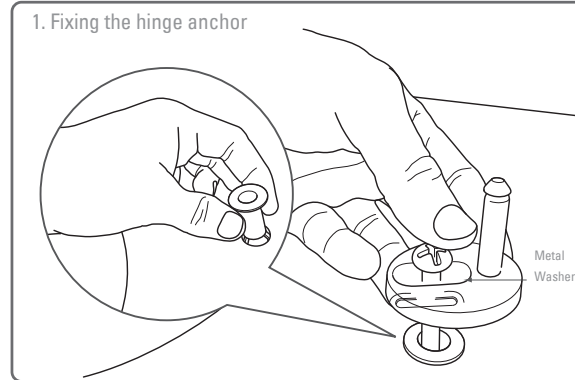
## FITTING INSTRUCTIONS

Please retain for future reference

Please read carefully before attempting to fit the seat. If you are not the end user, please make sure the aftercare instructions are made available for the end user to read.



Maximum adjustment of the pin position is achieved by rotating the hinge anchor around the screw (adjustment A in the parts diagram above). Further fine adjustment of the pin position can be achieved by sliding the screw in the adjustment plate (adjustment B).



Place the Top Fix Inserts into the fixing holes in the toilet pan. Insert the screws within the Hinge Anchors and washers inserted as shown and begin to tighten the screws until they are loosely secured, to allow for adjustment of the seat on the pan.

### AFTERCARE INSTRUCTIONS



Clean surfaces with a soft damp cloth and mild soap solution



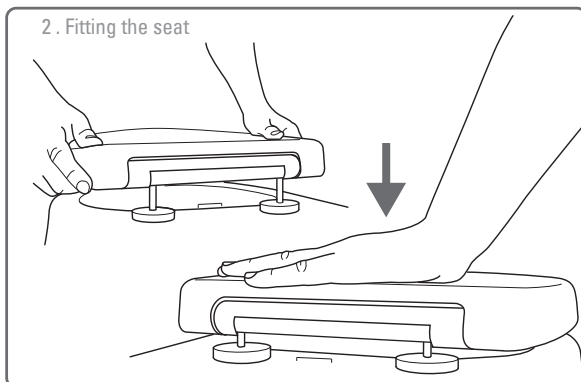
Do not scrub or scour



Do not use abrasive cleaning agents

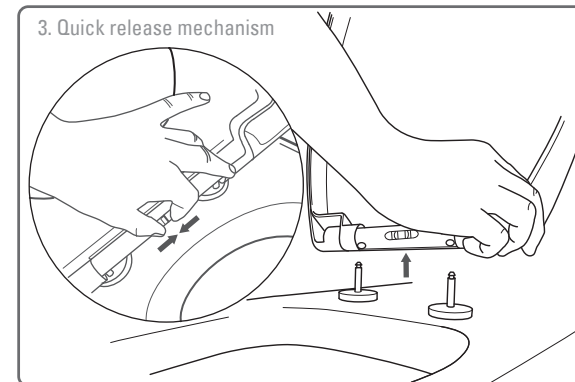


Do not stand on the lid or ring of your toilet seat



Align and insert the pins into the seat hinge sockets and firmly press down until you hear them 'click' into position.

Adjust the hinge anchors to make sure the seat lines up with the edges of the toilet pan. When you are satisfied the seat is in the correct position, remove the seat from the hinge anchors (see step 3) and fully tighten the screw in the Top Fix Insert (shown in step 1). Place the Cover Plates over the Hinge Anchors. Replace the seat and 'click' into position.



This toilet seat is designed for quick and easy removal when cleaning the toilet pan. To activate the quick release lift the lid and seat up. Pinch the button in the centre of the hinge bar inwards and lift. To replace the seat align the sockets with the pins and firmly press down until you hear them 'click' into position.