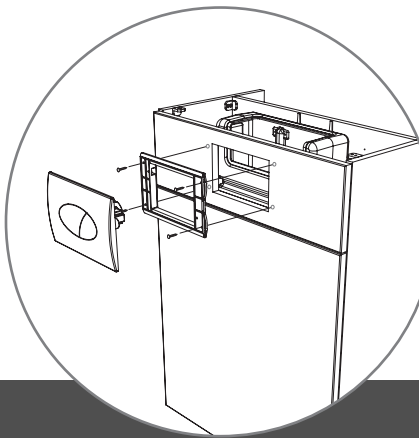
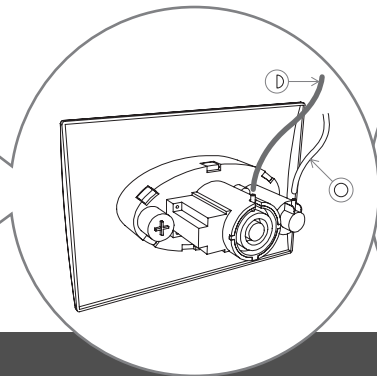


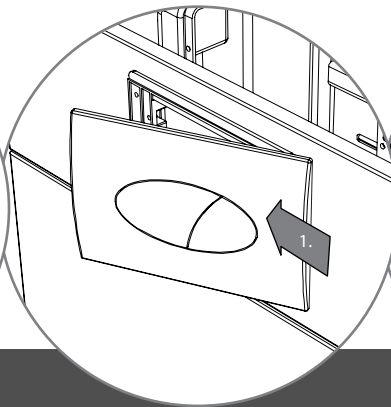
## Installation with a concealed cistern



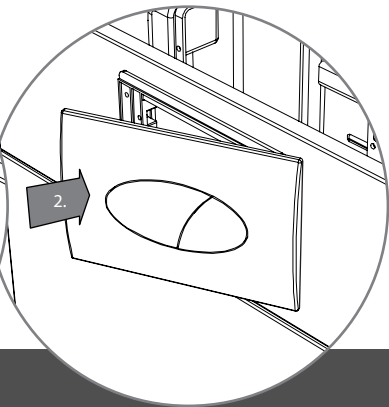
Cut aperture 172 mm x 105mm.  
Check for obstructions before cutting.  
Screw mounting bracket  
to the unit



Connect the hoses in the  
correct positions



Locate right side of flush plate  
onto the mounting bracket  
and push to the left



Push flush plate inward  
to secure in place

For installation with a wall hung frame please refer to instructions supplied with frame.