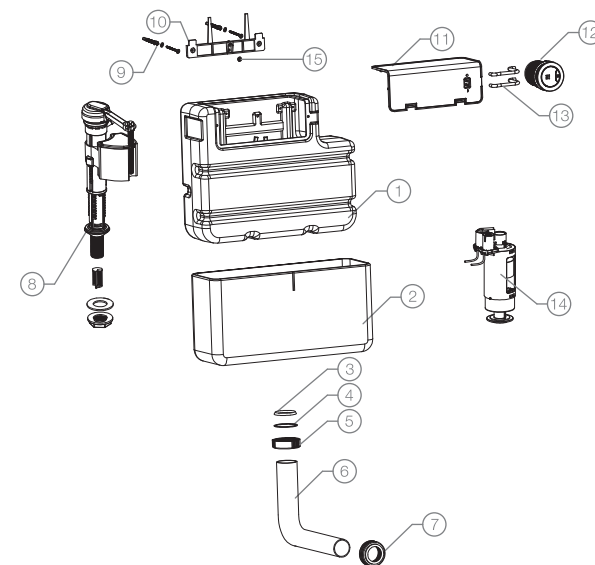


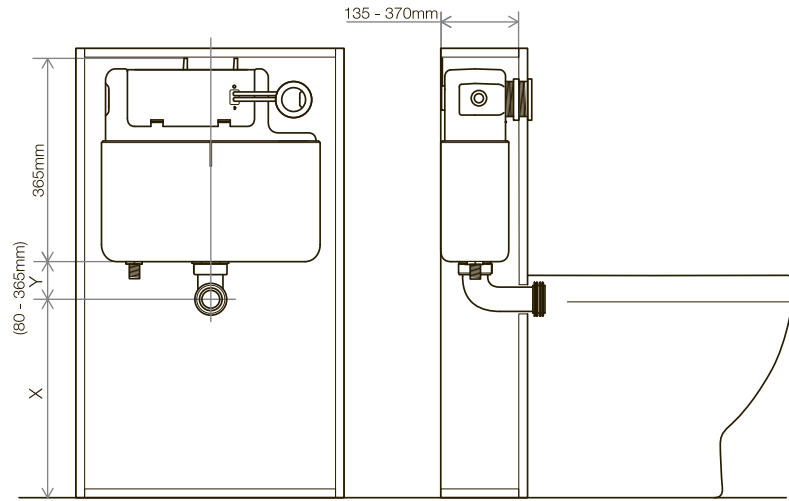
We recommend that this product should be fitted by a qualified plumber.

### PARTS INCLUDED

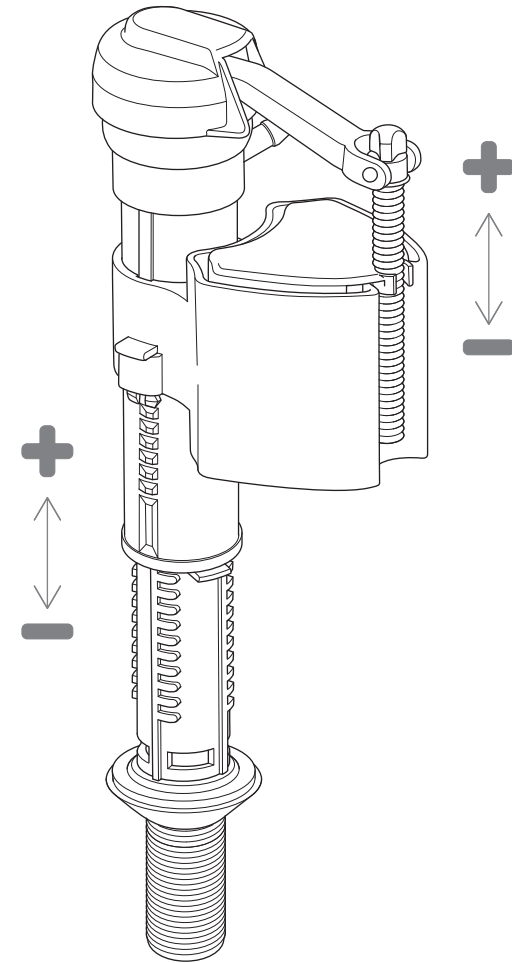


1. Cistern
2. EPS Jacket
3. Seal
4. Washer
5. Flush Bend Nut
6. Flush Bend
7. Key Seal
8. Bottom Entry Fill Valve
9. 2 x Attaching Screws
10. Attachment Plate
11. Cistern Cover
12. Pneumatic Push-button
13. Air Hoses
14. Flush Valve
15. Cistern Fixing Screw

## FITTING DIMENSIONS

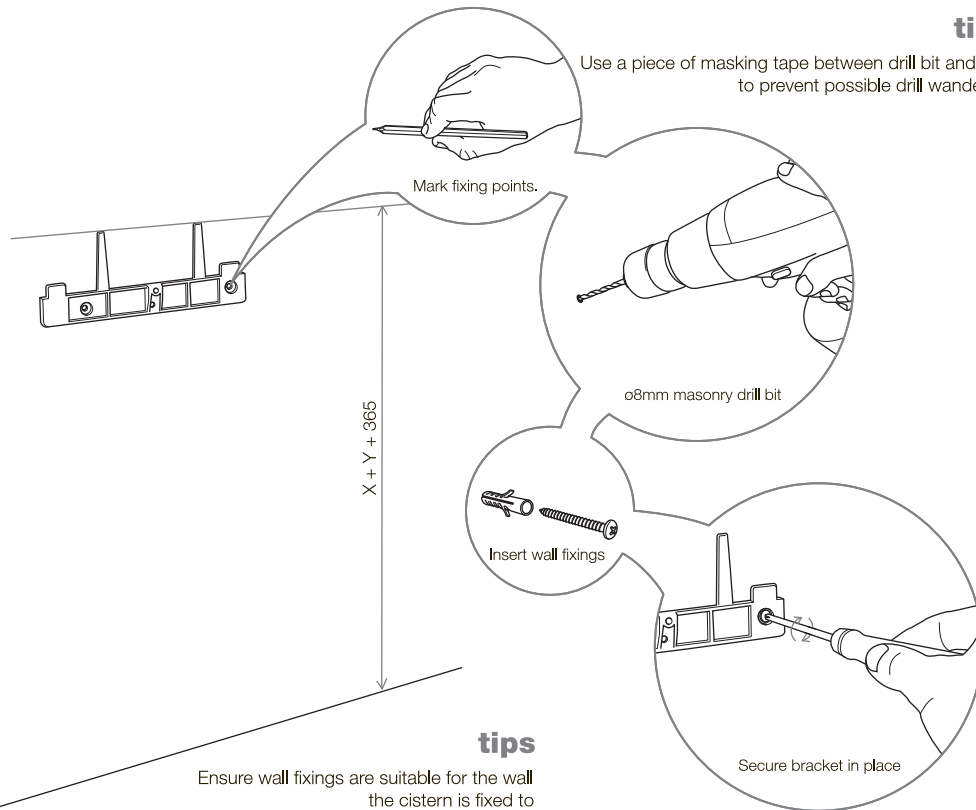


## ADJUSTING THE WATER LEVEL



By adjusting the fill valve the water level can either be increased or decreased accordingly

## INSTALLATION OF THE CISTERN



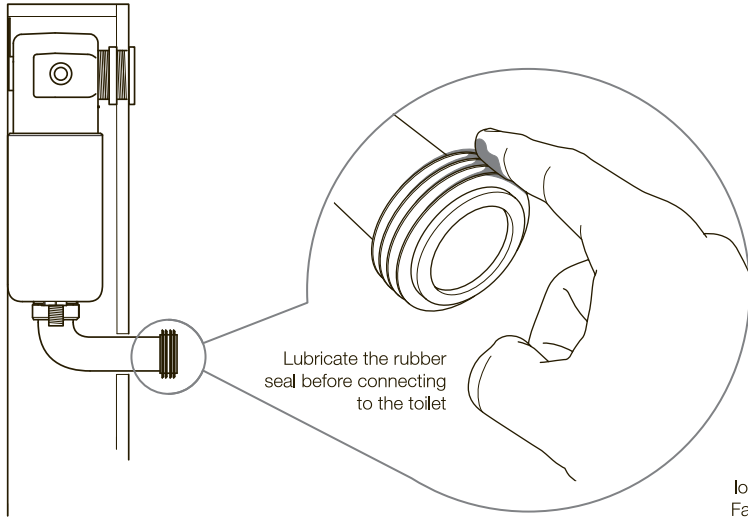
### tips

Use a piece of masking tape between drill bit and tiles to prevent possible drill wandering

### tips

Ensure wall fixings are suitable for the wall the cistern is fixed to

## FIXING THE TOILET

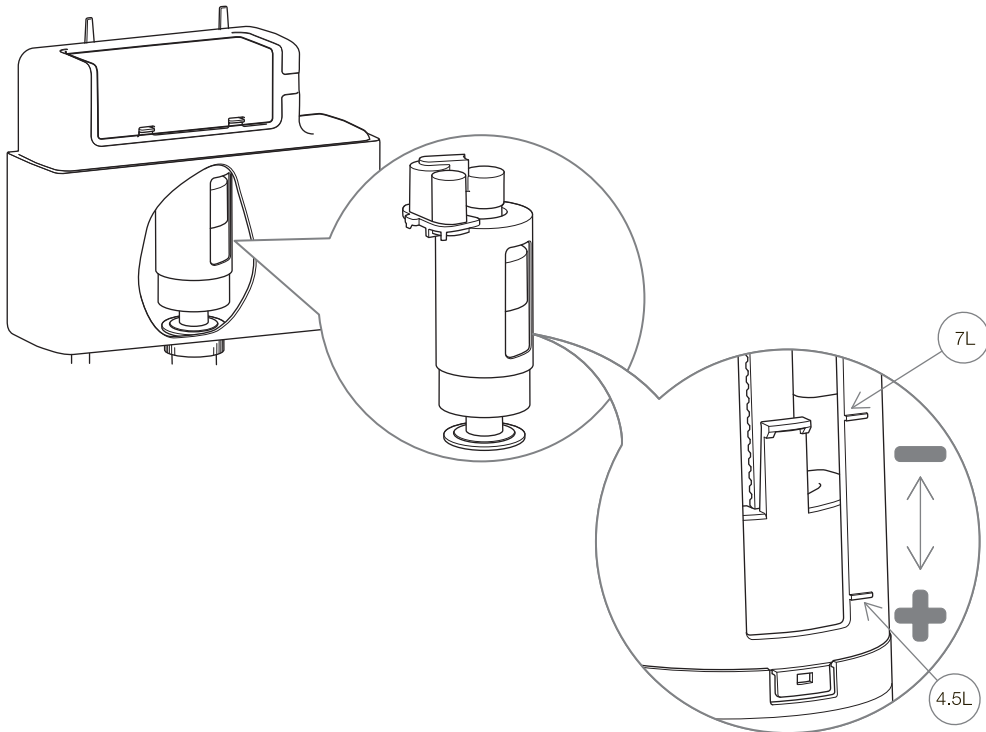


**note**  
Lubricant not supplied.  
Please use a suitable plumbers grease.

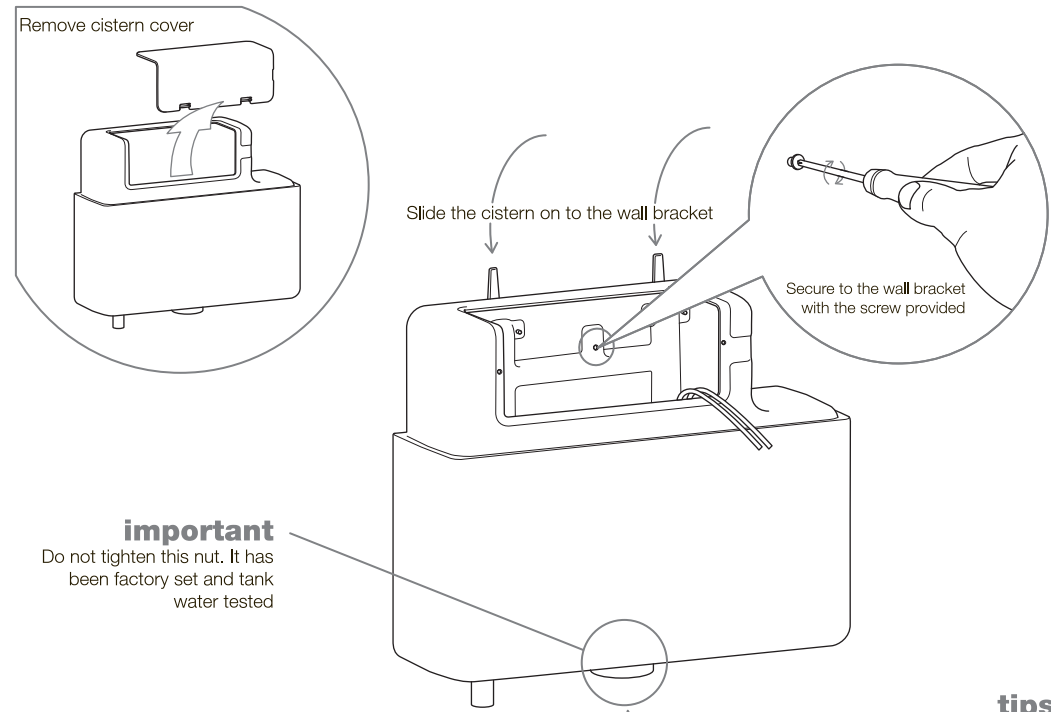
**important**  
Great care must be taken when fixing the toilet. Careful cutting of the pipe and alignment are very important to ensure no leaks occur.

**important**  
Please support the flush pipe when locating the toilet onto the rubber seal. Failure to do so could result in damage to the flush connection

## ADJUSTING THE FLUSH VOLUME



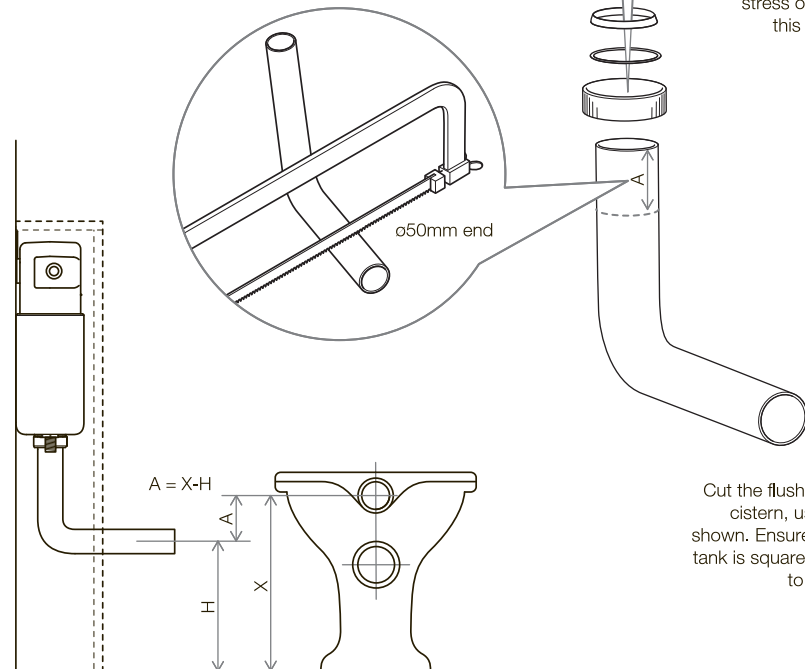
By adjusting the flush valve the flushing volume can be altered



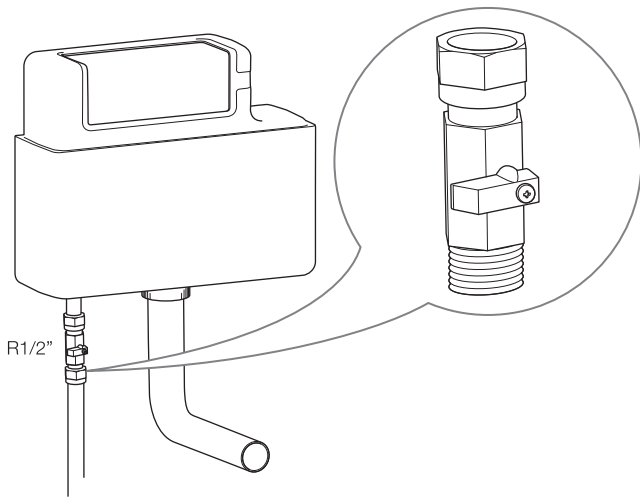
**important**  
Do not tighten this nut. It has been factory set and tank water tested

## tips

It is recommended that the flush bend be adequately braced against the wall using an appropriate pipe bracket or wooden packing. Ensure there is no tension / stress on the connection to the tank as this could cause the fittings to leak.



Cut the flush bend to size and attach to the cistern, using the appropriate fittings, as shown. Ensure alignment to pan from cistern tank is square both vertically and horizontally to allow seal to function correctly



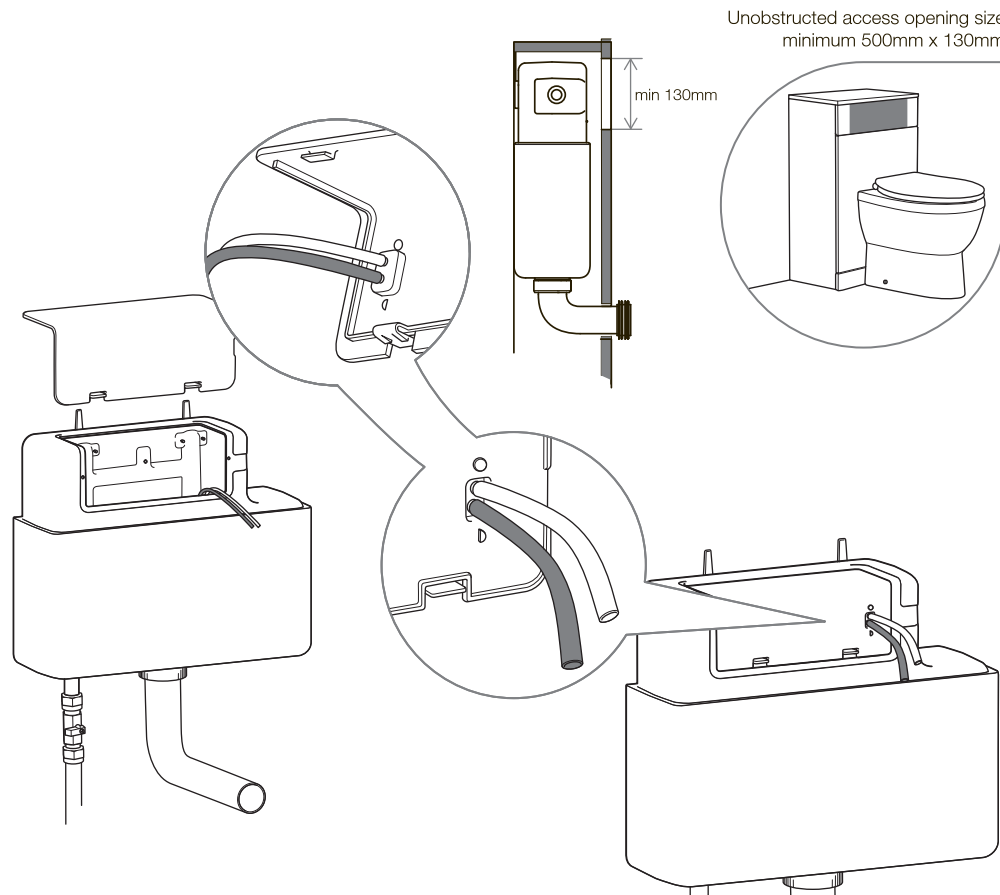
R1/2"

**note**

Stop valve not included

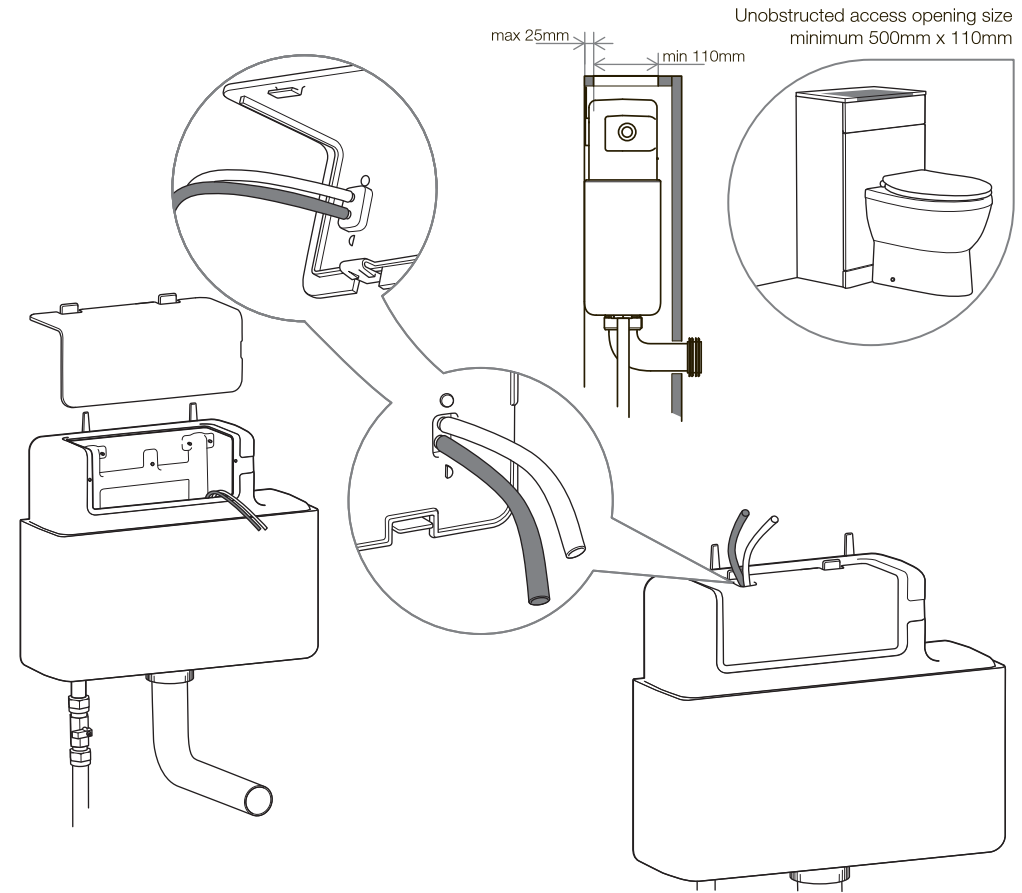
Connect the water supply to the cistern using an approved stop valve

**INSTALLATION WITH A FRONT ACCESS PANEL**



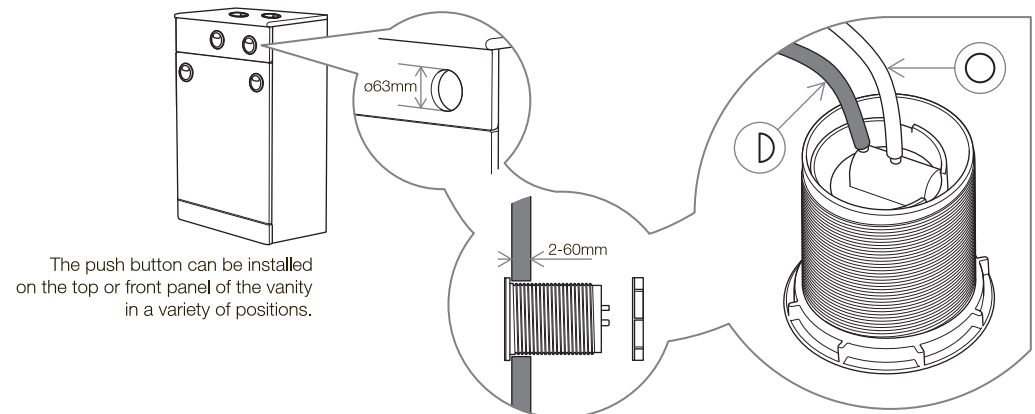
Unobstructed access opening size minimum 500mm x 130mm

**INSTALLATION WITH A TOP ACCESS PANEL**



Unobstructed access opening size minimum 500mm x 110mm

**INSTALLATION OF PNEUMATIC PUSH-BUTTON**



The push button can be installed on the top or front panel of the vanity in a variety of positions.