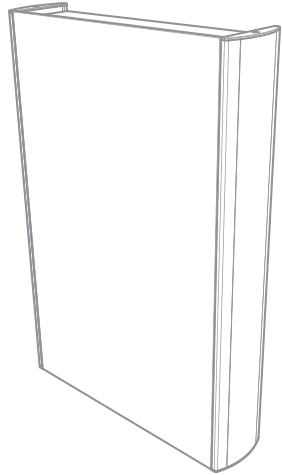


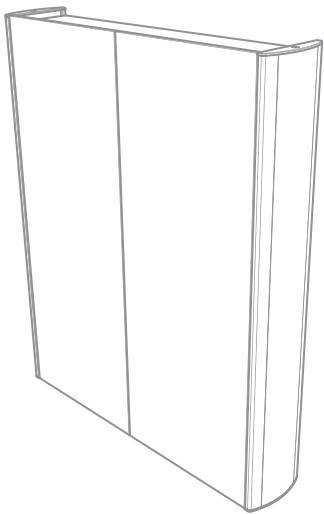
## Installation & care instructions

Please retain for future reference

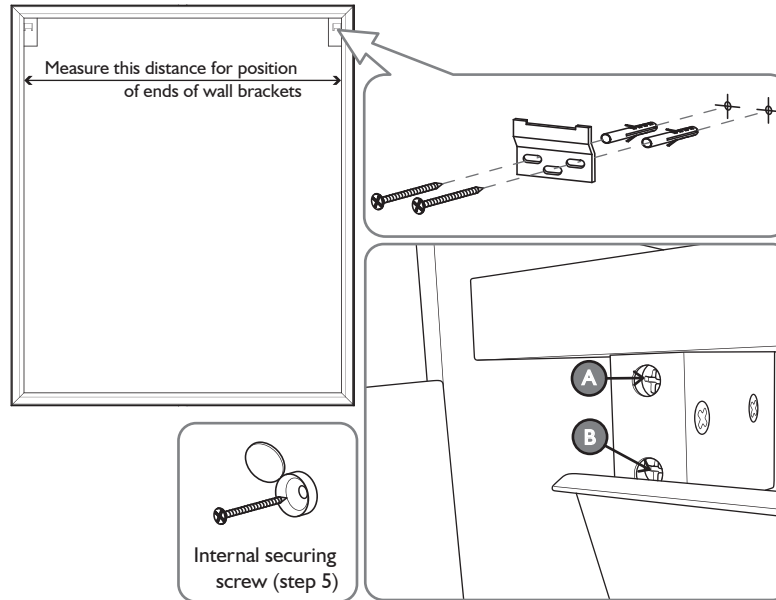
ESSENCE SINGLE DOOR ALUMINIUM CABINET  
SK3008



PRISM DOUBLE DOOR ALUMINIUM CABINET  
SK3009



### WALL MOUNTING



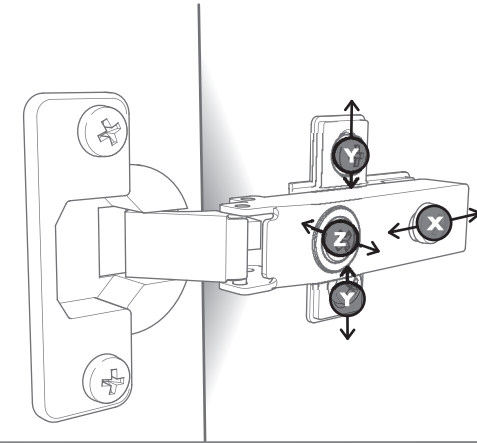
### INSTALLATION

Take care when using power tools in the bathroom. The use of a residual current device is recommended. Always wear eye protection when drilling. Beware of hidden cables and pipe runs.

- 1) Remove the packaging taking special care with the doors & separate shelves. Open the cabinet doors and remove the screws on the front edge of the canopy and lower the cover. Take care not to lose the screws.
- 2) Measure the distance between the fixing brackets on the back of the cabinet (as shown above). The use of a spirit level is advised to draw a level line on the wall in the desired location & mark the distance with a pencil. Offer up the metal wall brackets on the inside of these lines and mark the fixing points.
- 3) Note: Wall plugs supplied are only suitable for solid stone / brick walls. For plasterboard walls use specialist wall plugs, available from DIY or hardware stores. Seek advice from a specialist about the suitability of fixings to be used. Drill the required holes using an appropriate size drill bit and insert wall plugs.
- 4) Screw the brackets to the wall using the screws provided. Please ensure the screws are fully tight but take care not to overtighten. Two screws must be used in each bracket.
- 5) Hang the cabinet on the wall brackets. The claws on the cabinet hangers must be securely located on the wall brackets. Using a spirit level adjust the angle of the cabinet by turning screw A with a cross head screwdriver. When the angle is properly adjusted, insert a screw through the hole

Customer Services  
Soakology, Unit 5, Brassmill Lane Enterprise Centre Brassmill Lane, Bath, BA1 3JN  
t. 0845 862 9888 e. contact@soakology.co.uk w: www.soakology.co.uk

### HINGE ADJUSTMENT



#### PARTS INCLUDED



in the lower section of the cabinet backboard & mark the wall. Remove the cabinet from the wall, drill a suitable hole in the marked location & fit a wall plug. Re-hang the cabinet making sure to tighten screw B on both hangers & secure the base of the cabinet to the wall with the supplied screw and cover-cap.

- 6) Once the cabinet is secured in place fasten the canopy back using the small screws removed earlier.
- 7) To fit the glass shelves insert the shelf supports in the desired positions starting with the top shelf.
- 8) Should the doors require adjustment please refer to the diagram above

Product cleaning - For aluminium & glass surfaces use a soft damp cloth, do not use any abrasive agents or materials.

### WARNINGS

- 1) Do not place very hot/very cold items against or close to glass surfaces.
  - 2) Do not strike the glass with hard or pointed items.
  - 3) Please ensure cabinet is securely fixed to the wall using the guidelines described. It is essential the correct fixings are used. The product could be dangerous if installed incorrectly.
  - 5) Not suitable for installation above a bath or in a shower cubicle.
  - 6) Installation of this product is only to be carried out by a competent person.
- This unit contains shelves with a maximum evenly distributed load of 3kg. The unit contains mirrored doors of a nominal thickness of 6mm which are not required to be toughened to BS6206 Class C.