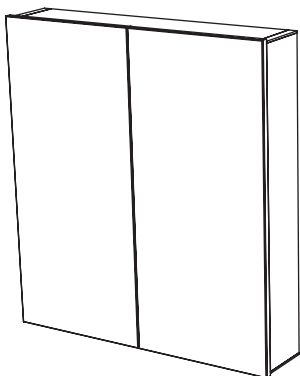


Please retain for future reference.



Echo
SK3004



CARE & SAFETY

Wear suitable eye protection when drilling. Take care when using power tools near water - the use of a residual current device (RCD) is advised. Beware of hidden cables or pipes. Take care if drilling on tiled surfaces in case the drill slips. A piece of masking tape applied to the wall before marking out the fixing holes will stop the drill from wandering.

DO NOT strike glass components with hard or pointed items.

DO NOT place very hot or very cold items against or in close proximity to glass surfaces unless an adequately thick insulation material is used to prevent such items coming in contact with the glass.

If the glass becomes chipped or broken replace immediately. For details on replacement glass and other components contact customer services at the address below.

CLEANING

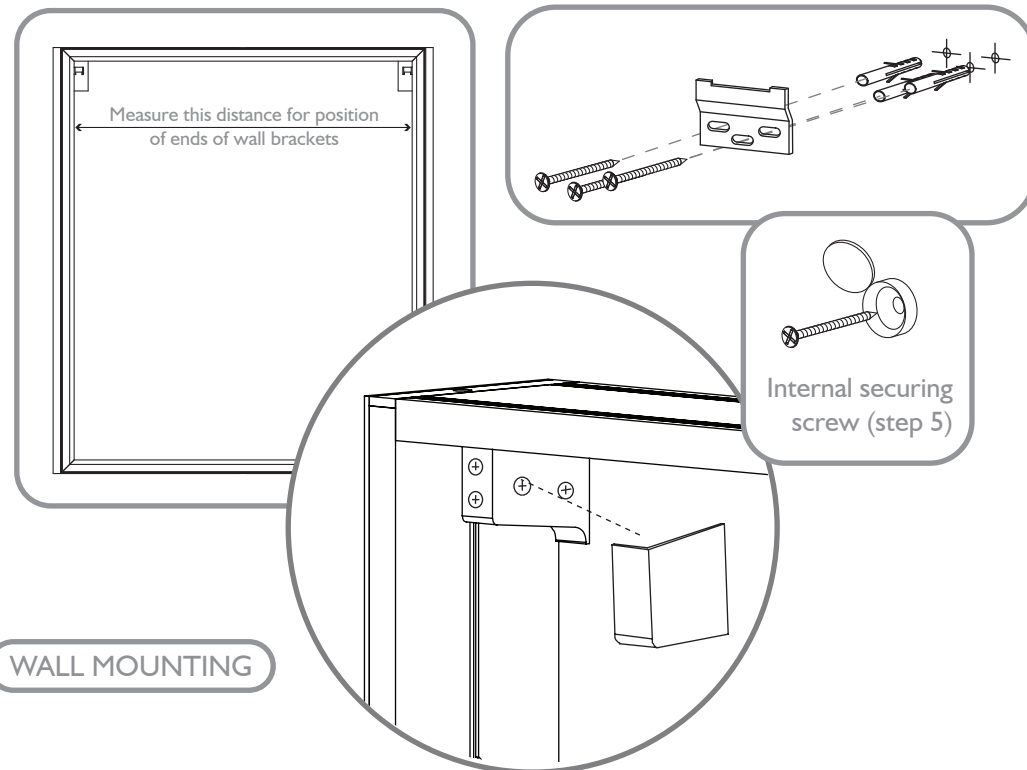
It is recommended that the unit is cleaned with a soft, dry, non abrasive cloth. Never use cleaning agents or abrasive materials on any type of surface finish.

INSTALLATION PROCEDURE

Take care using power tools, especially near water. The use of a residual current device (RCD) is recommended.

- 1) Remove the packaging taking special care with the doors and separate shelves.
- 2) Choose a location to mount the cabinet. Using a spirit level mark off a horizontal line approximately 50mm below where the top of the cabinet is to be.

Position the bracket hole centres so that they are centred on the line, and ensure that the ends of the brackets are spaced to the width between the inner edges of the vertical aluminium extrusions (see illustration). Mark off the holes using a pencil.



WALL MOUNTING

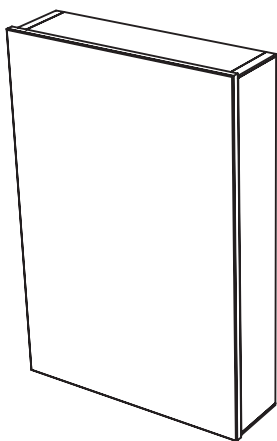
- 3) Note: Wall plugs supplied are only suitable for solid stone / brick walls. For plasterboard walls use specialist wall plugs, available from DIY or hardware stores. Seek advice from a specialist about the suitability of fixings to be used. Drill the required holes and insert wall plugs.
- 4) Screw the brackets to the wall using the screws provided, please ensure the screws are fully tight but take care not to overtighten. Two screws must be used in each bracket.

- 5) Hang the cabinet on the wall brackets, the claws on the cabinet hangers must be securely located on the wall brackets. Using a spirit level adjust the angle of the cabinet by turning the top screw (screw A) with a cross head screwdriver.

When the angle is properly adjusted, screw through the lower section of the cabinet backboard and mark the wall. Remove the cabinet from the wall, drill a suitable hole in the marked location and fit a wall plug. Re-hang the cabinet making sure to tightening screw B on both hangers and place loose 2 x Hanger covers (C) on internal hanger system.

Secure the base of the cabinet to the wall with the supplied screw and cover-cap. The cabinet should not be left unattended until it is fully secure.

Quest
SK3005



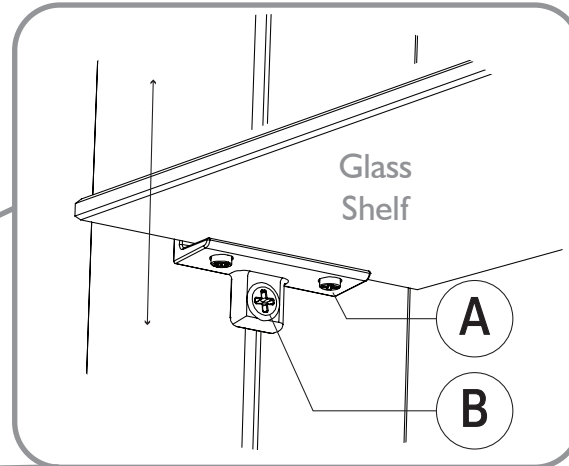
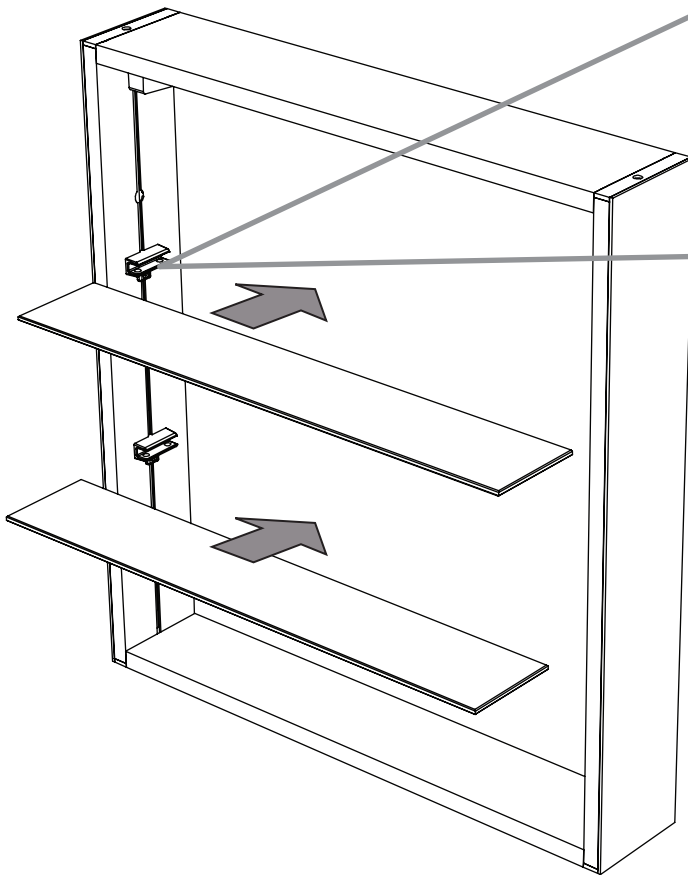
Customer Services

Soakology, Unit 5, Brassmill Lane Enterprise Centre Brassmill Lane, Bath, BA1 3JN
t. 0845 862 9888 e. contact@soakology.co.uk w: www.soakology.co.uk

Please retain for future reference.

SHELF FITTING

6) To fit the glass shelves, the plastic shelf supports must be positioned in the slots on the interior of the side extrusions. Starting with the bottom shelf, roughly position the shelf supports in the desired position on either side of the cabinet.



7) Slide the glass shelf into the two shelf supports and tighten screws A in order to secure the glass shelf to the shelf supports. It is recommended that a spirit level is used to ensure the shelf is completely level. Adjust the shelf height where necessary and secure the shelf support with screw B.

8) Repeat this process for the top shelf.

9) If the mirror doors are out of alignment, it is possible to adjust the hinges in three directions to correct any positional problems. Firstly the soft close buffer needs to be removed which clips onto the main hinge plate.

The diagram below shows which screws (C,D and E) offer adjustment in which directions.

HINGE ADJUSTMENT

