

SOHO - Illuminated Aluminium Cabinet Installation & Aftercare Instructions

Retain for future reference



Customer Services

Soakology, Unit 5, Brassmill Lane Enterprise Centre Brassmill Lane, Bath, BA1 3JN
t. 0845 862 9888 e. contact@soakology.co.uk w: www.soakology.co.uk

Part of Total Bathroom Enterprises Ltd
VAT No. 153612626 Company No. 8260845

SOHO - Illuminated Aluminium Cabinet Installation & Aftercare Instructions

Electrical Safety Instructions

(Applicable to UK Installations only)

All fittings must be installed by a competent person, in accordance with current IEE wiring regulations. If in doubt consult a qualified electrician.

Always switch off the electrical supply at the mains during installation and maintenance. It is recommended that the fuse is withdrawn or the circuit breaker is switched off for the necessary circuit before installation commences.

Fitting in Bathrooms is subject to the appropriate zone in accordance with IEE Regulations. This product is suitable for outside zones. It IS NOT suitable for installation in Zone 0 and Zone 1. It is also not suitable for installation in saunas, steam rooms or shower cubicles. This product is only suitable for permanent installation. DO NOT connect to a trailing plug and socket outlet. This product is only suitable for indoor use. Do not attach the product to surfaces that are damp or otherwise electrically conductive.

Installation Care and Safety

Wear suitable eye protection when drilling. Take care when using power tools near water - the use of a residual current device (RCD) is advised. Beware of hidden cables or pipes. Take care if drilling on tiled surfaces in case the drill slips. A piece of masking tape applied to the wall before marking out the fixing holes will stop the drill from wandering.

The product must be installed with a minimum distance of 150mm between the infrared sensor and an adjacent wall or obstruction to ensure correct function of the sensor (see diagram on the next page).

DO NOT strike glass components with hard or pointed items. DO NOT place very hot or very cold items against or in close proximity to glass surfaces unless an adequately thick insulation material is used to prevent such items coming in contact with the glass.

The nominal thickness of the mirror glass used in this product is 6mm and is film backed for safety. If the glass becomes chipped or broken replace immediately. For replacement glass and other components contact customer services at the address below

Cleaning

It is recommended that the unit is cleaned with a soft, dry, non abrasive cloth when turned off. Never use cleaning agents or abrasive materials on any type of surface finish. Do not allow moisture to come into contact with the electrical components.

Customer Services

Soakology, Unit 5, Brassmill Lane Enterprise Centre Brassmill Lane, Bath, BA1 3JN
t. 0845 862 9888 e. contact@soakology.co.uk w: www.soakology.co.uk

Compliance

This product complies with the following safety standards:

BS EN 60598-1: 2004, EN 60598-2-1: 1989, BS EN 60598-2-2: 1997 & Amd 1. BS 7449: (1991). BS EN 14749: (2005), IP44 rated in accordance with BS60529:1992 & BS EN 60068-2-18.

Wiring

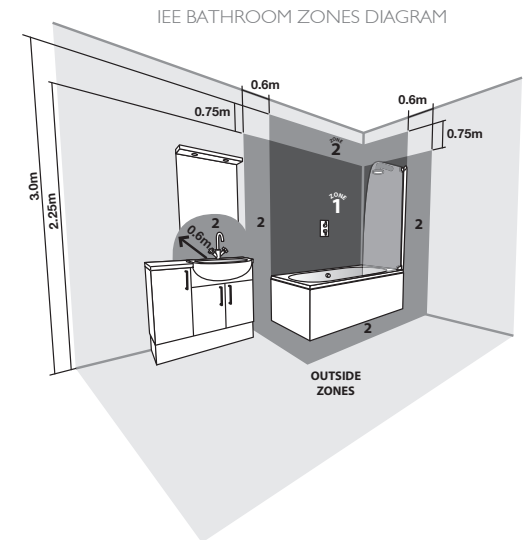
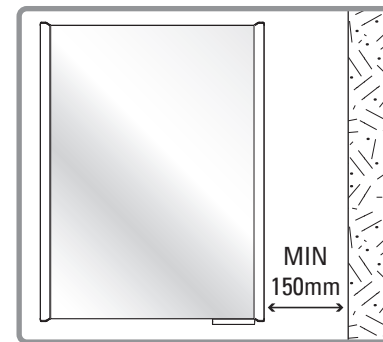
This product is manufactured to class I category and must have an earth connection.

Colour Coding:

L - Live = Brown
N - Neutral = Blue
⊕ - Earth = Green & Yellow

Lights

2x 15W T2 Fluorescent Tube



INSTALLATION PROCEDURE

- 1) Remove the packaging taking special care with the doors and separate shelves. Open the cabinet doors and ensuring you haven't connected the power remove the screws on the front edge and lower the cover. Take care not to lose the screws.
- 2) Using a spirit level, mark off a horizontal line approximately 70mm below where the top of the cabinet is to be. Position the bracket hole centres so that they are centred on the line, and ensure that the ends of the brackets are spaced to the width between the inner edges of the vertical aluminium extrusions (see illustration). Mark off the holes using a pencil.
- 3) Note: Wall plugs supplied are only suitable for solid stone / brick walls. For plasterboard walls use specialist wall plugs, available from DIY or hardware stores. Seek advice from a specialist about the suitability of fixings to be used. Drill the required holes and insert wall plugs.
- 4) Screw the brackets to the wall using the screws provided. Please ensure the screws are fully tight but take care not to overtighten. Two screws must be used in each bracket.
- 5) Before making any electrical connections (or performing any maintenance) it is necessary to turn off the mains electricity supply. This unit is provided with a supply cable already fitted. This cable should be fitted to the household lighting circuit or to a fused 3 AMP supply. Connections should be made in accordance with the latest IEE regulations. This cabinet is manufactured to CLASS I and requires an earth connection.
- 6) Hang the cabinet on the wall brackets. The claws on the cabinet hangers must be securely located on the wall brackets.

Using a spirit level adjust the angle of the cabinet by turning screw A with a cross head screwdriver. When the angle is properly adjusted, screw through the lower section of the cabinet backboard and mark the wall. Remove the cabinet from the wall, drill a suitable hole in the marked location and fit a wall plug. Re-hang the cabinet making sure to tighten screw B on both hangers and secure the base of the cabinet to the wall with the supplied screw and cover-cap. The cabinet should not be left unattended until it is fully secure.

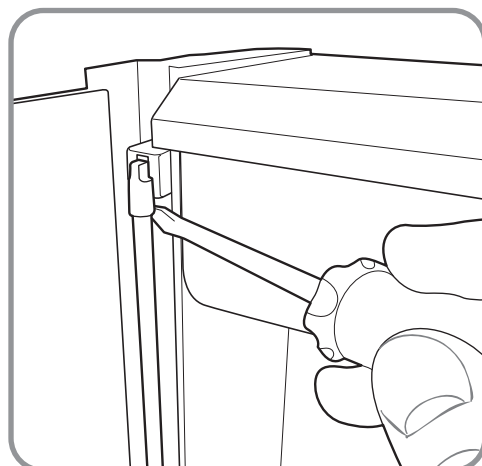
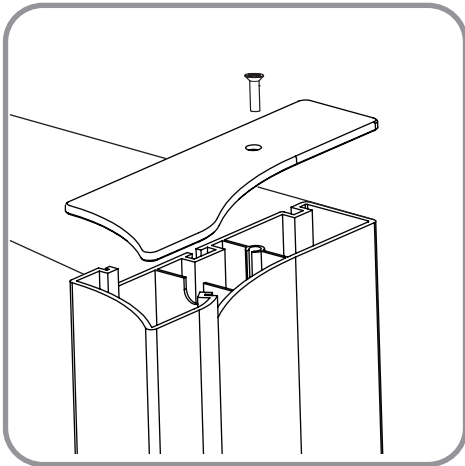
7) When the cabinet is fully secure the internal top cover should be closed and secured with the small screws removed earlier. When the cover is closed and secure restore the mains power and test the function of the lights and the shaver socket. If the light fails to function properly it is likely the IR sensor has been positioned too close to an adjacent wall or reflective surface.

8) Fitting the glass shelves. Firstly insert a shelf into the top two shelf support brackets then slide upwards so the grub screws on the underside of the support brackets (Screw C) can be sufficiently tightened to hold glass in place. Repeat for the bottom shelf (NOTE: be careful not to overtighten). Shelves can be positioned accordingly by sliding the supports up or down (NOTE: Take care to use both hands when sliding shelves and ensure that support brackets at both ends slide simultaneously). Once shelves are in their desired locations turn screw D to secure in position. A spirit level should be used to ensure shelves are level.

9) If the doors are out of alignment first remove the soft-close buffer (from the upper hinges) which clips into the main hinge plate. The soft-close hinges offer adjustment in 3 directions via adjustment screws E,F and G (see diagram).

MAINTENANCE

If a fluorescent light tube fails please contact the Soakology sales office using the contact details on the back of this manual, stating the cabinet model. Once you have obtained a spare it is necessary to turn off the mains electricity supply then remove the plastic light diffuser. Unscrew one of the chrome end caps and slide the diffuser out of the track. If you don't have room to fully slide out the diffuser remove the other end-cap and squeeze the diffuser off the track. With the diffuser removed, open the cabinet door and using a flat head screwdriver lever the old tube out of its location by applying pressure behind the plastic end on the tube. Do not apply pressure to the glass tube. Take care as the tubes are fragile. Replace the new tube by slotting into location and replace the diffuser. Other spare parts are also available for these cabinets, please contact the Soakology sales office for details.



REPLACING LIGHTS

