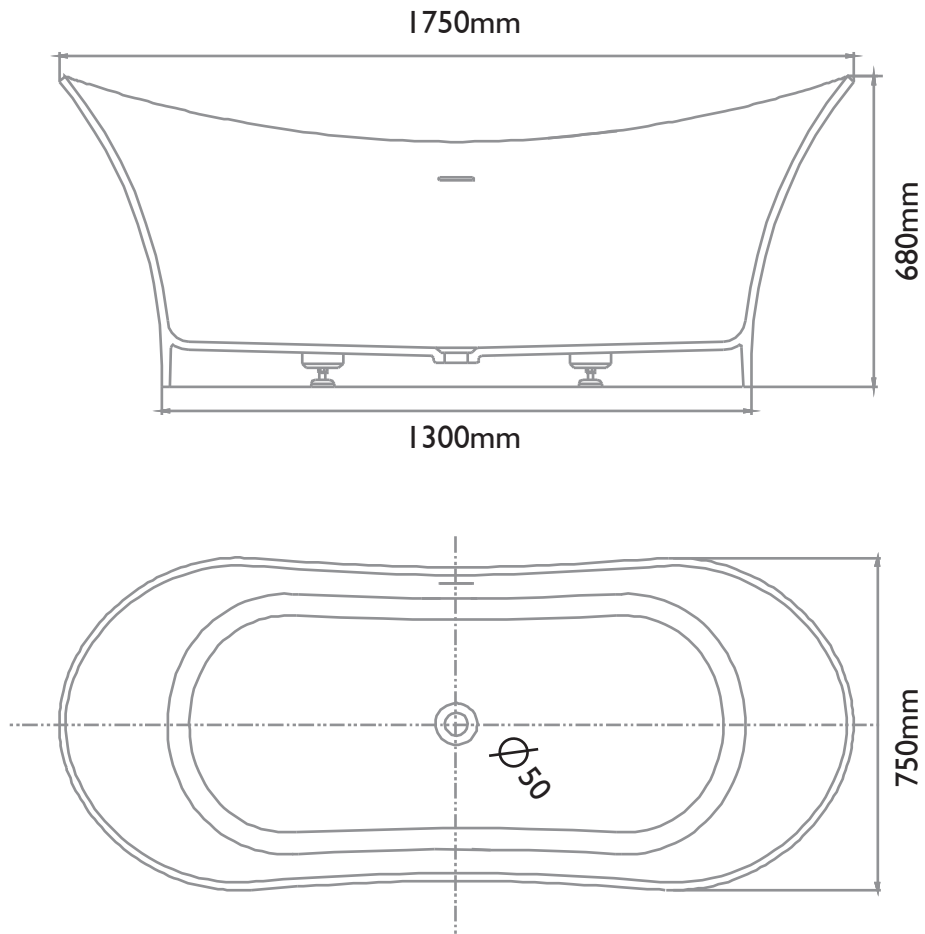


Technical Data



Customer Services

Soakology, Unit 5, Brassmill Lane Enterprise Centre Brassmill Lane, Bath, BA1 3JN
t. 0845 862 9888 e. contact@soakology.co.uk w: www.soakology.co.uk

Part of Total Bathroom Enterprises Ltd
VAT No.153612626 Company No. 8260845

DANTE - Freestanding Bath Tub Installation & Aftercare Instructions

Retain for future reference

DANTE - Freestanding Bath Tub

Installation & Aftercare Instructions

IMPORTANT

Before commencing installation, read these instructions carefully. Installation must comply with any requirements imposed by local authorities. Ensure that there is no damage to the bath. Cover the bath with a clean dust sheet throughout the installation period.

Installation Procedures

1. Adjust the feet on the base of the bath so that they sit flush with the outer skirting of the bath. Adjust the locking nut so that the base of the foot is locked in place. Test with a spirit level to check the bathtub is level.
2. Mark the floor with the outline of the bath at the final installation position, with a pencil. Ensure there is enough room for the waste and pipework to be fitted.
3. Carefully tilt the bath on its side to allow access to both sides of the waste hole. The waste comes pre-installed, however we suggest for peace of mind, that the installer dis-assembles and re-installs the waste. With the waste washer (A) and waste drain (B) inside the bath tub, tighten the rubber washer (C) and fixing nut (D) on the underside of the bath. Ensure that the cut out inlets in the waste drain (B) line up with the outlets between the two layers of the bath so that water drains through the waste from the overflow hole.
4. Screw the pop-up mechanism (E) into the waste drain before screwing the waste cover (F) on top. Connect a trap or siphon* of UK standard with a flexible waste pipe* to take away the waste water. Please note the plastic siphon (G) is an international fitting that is not suitable for the UK - Please discard it.
5. Reposition the bath ensuring that all pipework is covered by the base of the bath. Ensure that flexible connectors are not kinked upwards during installation as this will result in drainage issues.
6. Water test the bath to check that it is draining correctly and to check for any leaks.
7. Apply silicone around the base of the bath and allow 24 hours for it to cure fully.

Aftercare

To preserve the polished surface of the bath, after use clean with a soft cloth with warm soapy water to wash away any body oils or soap. It is recommended that the bath is only cleaned with warm soapy water and that powders, pastes, cream cleaners, thinners, and window cleaning sprays are not used on the bath's surface.

Customer Services

Soakology, Unit 5, Brassmill Lane Enterprise Centre Brassmill Lane, Bath, BA1 3JN
t. 0845 862 9888 e. contact@soakology.co.uk w: www.soakology.co.uk

