

Aftercare

To preserve the polished surface of the bath, after use clean with a soft cloth with warm soapy water to wash away any body oils or soap. It is recommended that the bath is only cleaned with warm soapy water and that powders, pastes, cream cleaners, thinners, and window cleaning sprays are not used on the bath's surface.



Customer Services

Soakology, Unit 5, Brassmill Lane Enterprise Centre Brassmill Lane, Bath, BA1 3JN
t. 0845 862 9888 e. contact@soakology.co.uk w: www.soakology.co.uk

Part of Total Bathroom Enterprises Ltd
VAT No.153612626 Company No. 8260845

METROPOL - Freestanding Bath Tub Installation & Aftercare Instructions

Retain for future reference

METROPOL - Freestanding Bath Tub

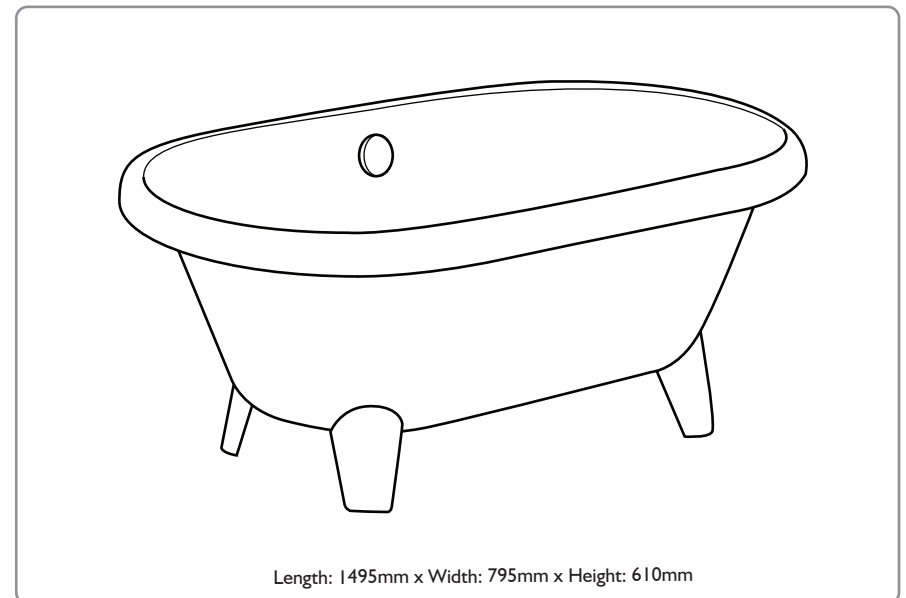
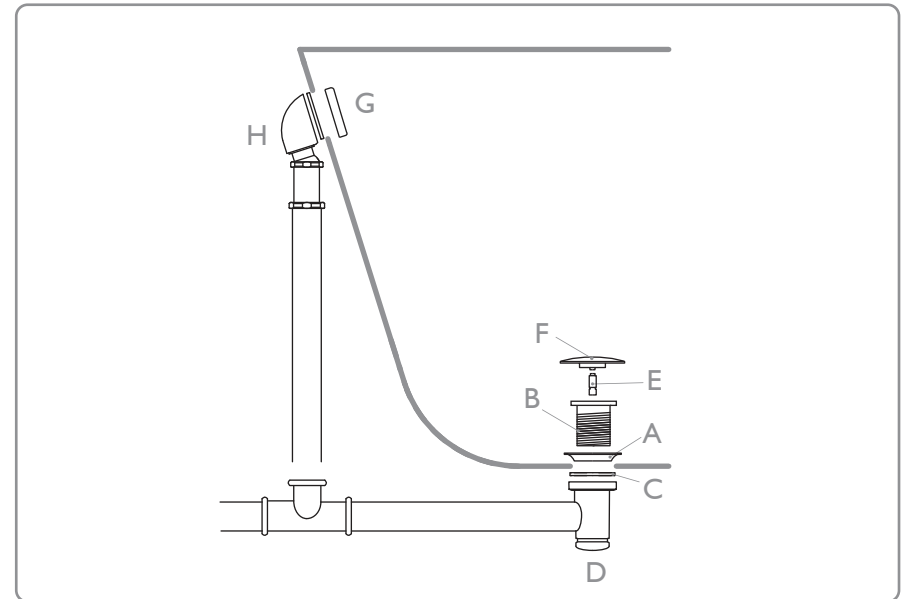
Installation & Aftercare Instructions

IMPORTANT

Before commencing installation, read these instructions carefully. Installation must comply with any requirements imposed by local authorities. Cover the bath with a clean dust sheet during the installation period.

Installation Procedures

1. Attach the metal legs to the two fixing brackets with the bolts and washers provided.
2. Carefully tip the bath onto its side and attach the three fixing brackets to the base of the bath and secure with the nuts and washers provided. Adjust the leg until it sits flush with the surface of the bath and secure in place with an adjustable spanner.
3. Screw the adjustable feet loosely into the base of the metal legs leaving the fixing nut loose for adjustments later.
4. Making final adjustments to the feet, ensure that when placed in position the feet take the weight of the bath and sit flush with the metal leg. Secure in place with the metal fixing nut.
5. Disassemble the waste housing and components prior to fitting to the bath tub.
6. With the waste washer (A) and waste drain (B) inside the bath tub, and rubber washer (C) outside the bath tub, screw the waste drain into the waste housing pipe (D) until tight - making sure that the waste pipework is in an appropriate position to connect the overflow pipe later.
7. Screw the pop up mechanism (E) into the waste drain and the waste cover (F) on top.
6. Separate the overflow cover (G) from the vertical overflow pipe (H) and position the rubber washer on the outer surface of the bath and the overflow cover inside the bath. Adjust the height of the overflow pipe until it is in the correct position for the overflow hole in the bath tub. Secure the overflow components together.
7. It may be necessary to cut the overflow pipe to the correct size to connect to the waste pipe. When the waste and overflow pipework are attached, connect to the bathroom waste pipe according to your desired installation.



Customer Services

Soakology, Unit 5, Brassmill Lane Enterprise Centre Brassmill Lane, Bath, BA1 3JN
t. 0845 862 9888 e. contact@soakology.co.uk w: www.soakology.co.uk