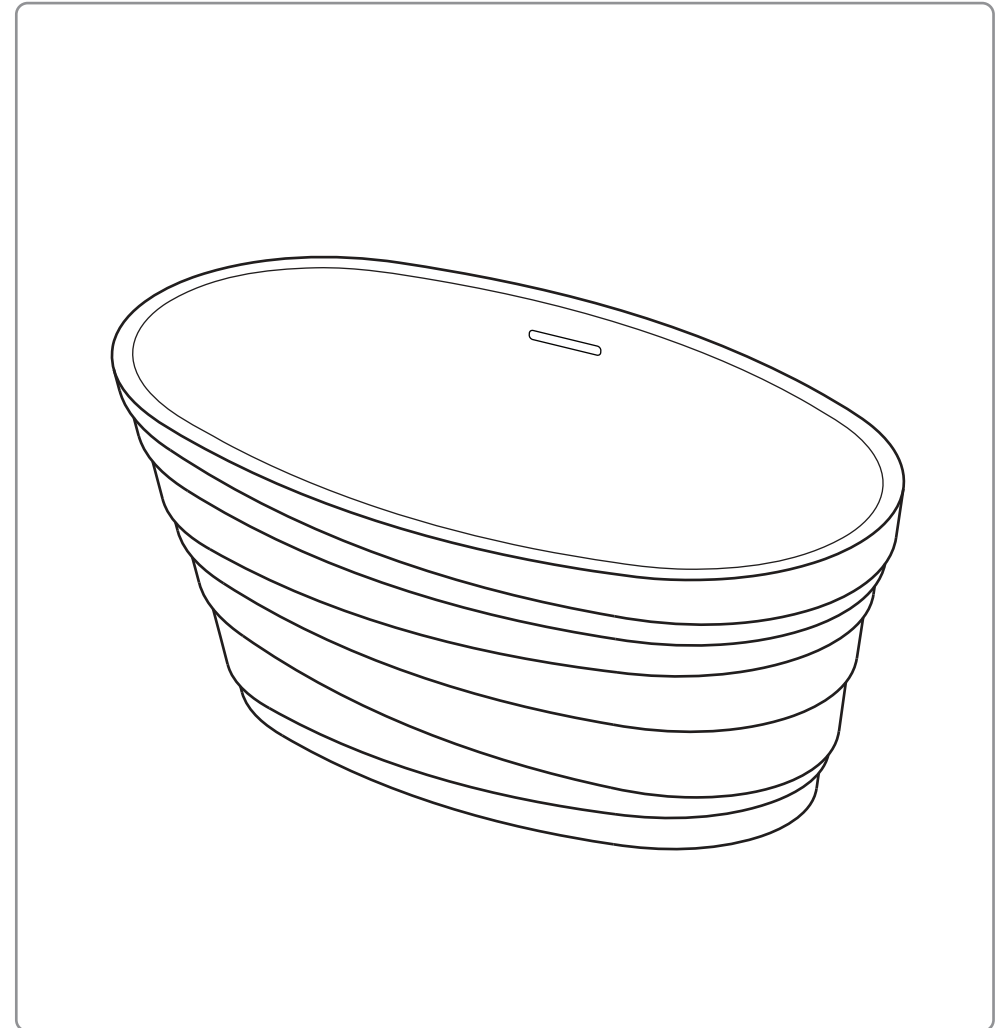
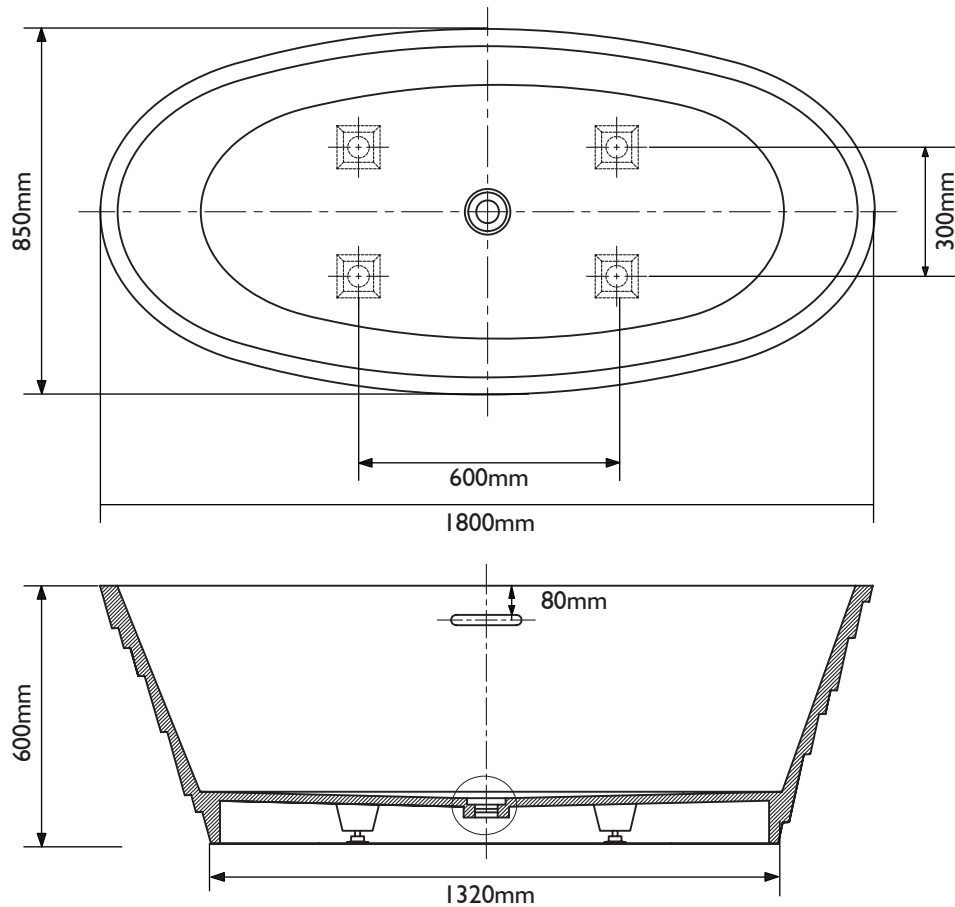


## Technical Data



### Customer Services

Soakology, Unit 5, Brassmill Lane Enterprise Centre Brassmill Lane, Bath, BA1 3JN  
t. 0845 862 9888 e. [contact@soakology.co.uk](mailto:contact@soakology.co.uk) w: [www.soakology.co.uk](http://www.soakology.co.uk)

Part of Total Bathroom Enterprises Ltd  
VAT No. I53612626 Company No. 8260845

## ROSSI - Freestanding Bath Tub Installation & Aftercare Instructions

Retain for future reference

# ROSSI - Freestanding Bath Tub

## Installation & Aftercare Instructions

### IMPORTANT

Before commencing installation, read these instructions carefully. Installation must comply with any requirements imposed by local authorities. Ensure that there is no damage to the bath. Keep the protective film on the bath throughout the installation period. Important dimensions are included on the back of this manual.

### Installation Procedures

1. Adjust the feet on the base of the bath so that they sit flush with the outer skirting of the bath. Tighten the locking nut so that the foot is locked in place. Test with a spirit level to check the bathtub is level.
2. Mark the floor with the outline of the bath at the final installation position, with a pencil. Ensure there is enough room for the waste and pipework to be fitted.
3. Carefully tilt the bath on its side to allow access to both sides of the waste hole. With the waste washer (A) and waste drain (B) inside the bath tub, tighten the rubber washer (C) and fixing nut (D) on the underside of the bath. Ensure that the cut out inlets in the waste drain (B) line up with the outlets between the two layers of the bath so that water drains through the waste from the overflow hole.
4. Screw the pop-up mechanism (E) into the waste drain before screwing the waste cover (F) on top.
5. Reposition the bath ensuring that all pipework is covered by the base of the bath.
6. Water test the bath to check that it is draining correctly and to check for any leaks. Finally, remove the protective film from the bath.
7. Apply silicone around the base of the bath and allow 24 hours for it to cure fully.

### Aftercare

To preserve the polished surface of the bath, after use clean with a soft cloth with warm soapy water to wash away any body oils or soap. It is recommended that the bath is only cleaned with warm soapy water and that powders, pastes, cream cleaners, thinners, and window cleaning sprays are not used on the bath's surface.

### Customer Services

Soakology, Unit 5, Brassmill Lane Enterprise Centre Brassmill Lane, Bath, BA1 3JN  
t. 0845 862 9888 e. [contact@soakology.co.uk](mailto:contact@soakology.co.uk) w: [www.soakology.co.uk](http://www.soakology.co.uk)

