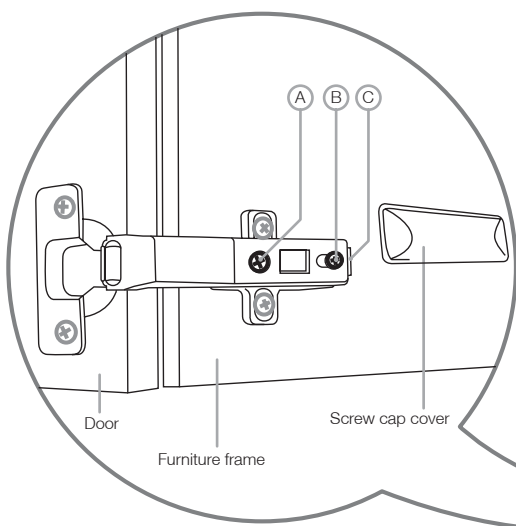
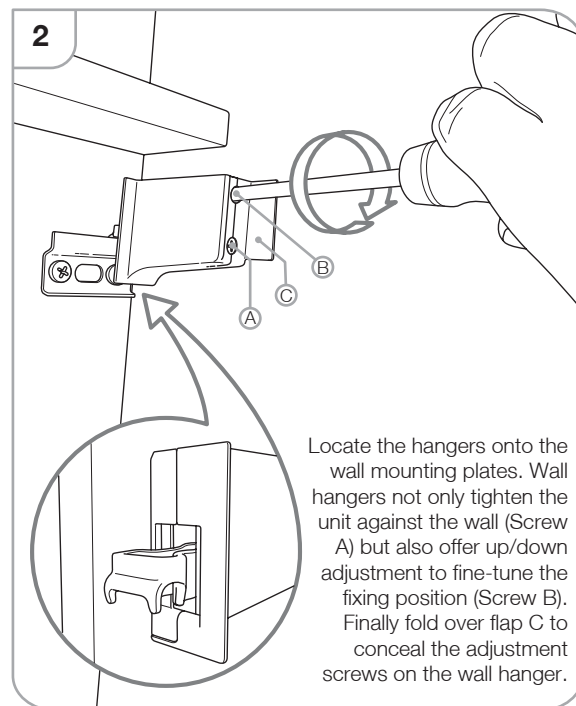
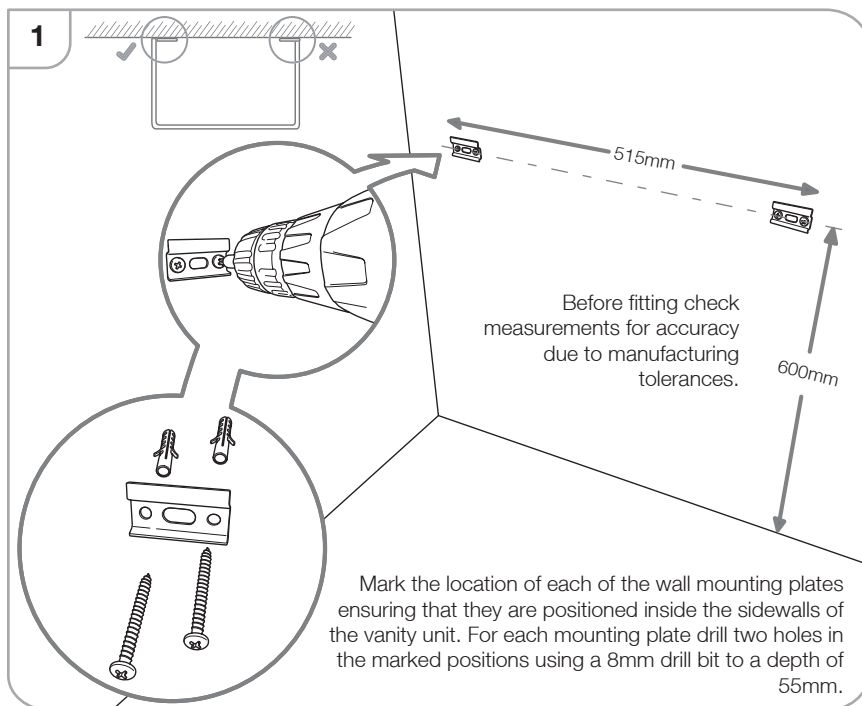


Before you start

It is recommended that the unit and basin are secured to a suitably reinforced wall to ensure stability. The wall plugs supplied are only suitable for solid stone / brick walls. For plasterboard walls use specialist wall plugs along with supplementary wall strengthening as units can be very heavy. Seek advice from a specialist about the suitability of fixings to be used.

Wear suitable eye protection when drilling. Take care when using power tools near water - the use of a residual current device (RCD) is recommended. Beware of hidden pipes or cables. Take care when drilling tiled surfaces as the drill might slip. Use a piece of masking tape to prevent the drill from wandering.



Fitting the handles

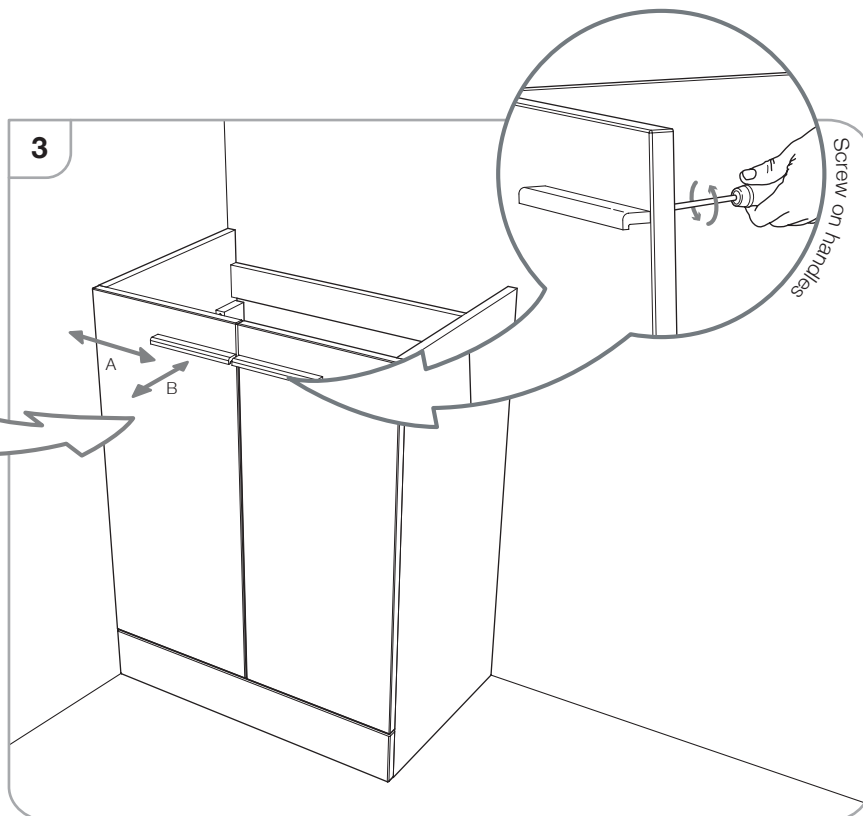
Using the screws packed with the handles, fix the handles through the pre-drilled holes from the back of the doors.

Door adjustment

Screw A offers left / right adjustment for levelling up the doors.
Screw B offers forward / back adjustment (see Fig. 3).
Button C is the quick release, press this on both hinges to remove a door by releasing the hinges from their mounting plates.

Fitting ceramic basin

Once the basin has been plumbed in finish by securing to the washstand using a silicone sealant (not supplied).



All wooden furniture should be treated with care...

We recommend



Wipe away any water splashes or condensation after use. Excessive exposure to water will deteriorate the furniture.



All bathrooms should be well ventilated with a suitable extractor fan.



Clean with a soft damp cloth only.



Use a wax free polish if one must be used.

For removal of lime scale deposits use a suitable proprietary cleaner. If necessary test on an inconspicuous area first.

Please DO NOT...



Do not scrub or scour



Do not use abrasive cleaning agents

Replacement components

Should you require any replacement components for this product please contact Soakology using the contact details below.