

Please make aftercare instructions available to end-user

Installation Safety Tips

Wear suitable eye protection when drilling. Take care when using power tools near water – the use of a residual current device (RCD) is recommended. Beware of hidden pipes or cables. Take care when drilling tiled surfaces as the drill may slip. Use a piece of masking tape to prevent the drill from wandering.

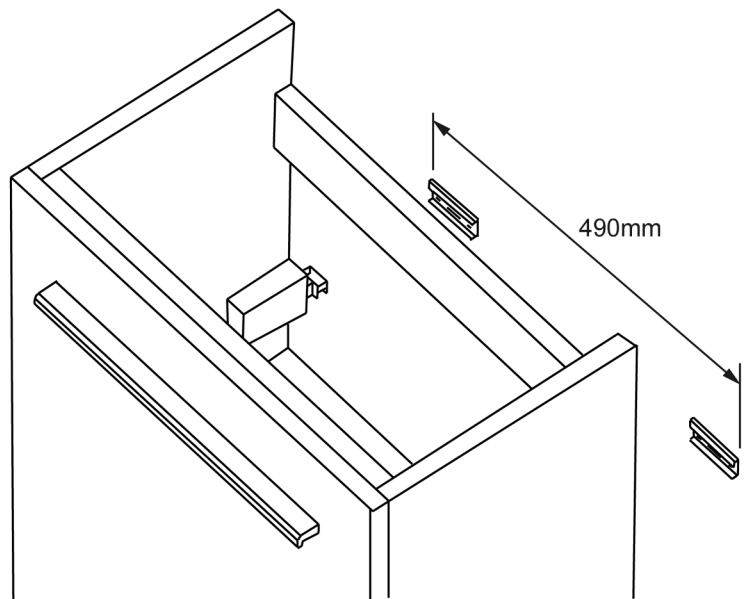
Wall Surfaces

This product should only be fitted to a wall of sufficient strength. Wall fixings supplied are only suitable for solid stone or brick walls. It should only be fitted to a stud partition or hollow wall if the wall has been suitably reinforced. If in doubt, consult an expert, especially with regard to specialist fixings. Take due consideration of the location and height of supply and waste pipes before deciding on the final position of the unit.

Installation

1. Determine the desired location for the unit. As a guide wall mounted basin units are generally fitted so that the basin top is at a height of 850 – 900mm. To achieve a basin height of 850mm, it is recommended that the top of the wall mounting plates are positioned approximately 600mm above the floor.

2. Mark the location of each of the wall mounting plates and hole centres (make sure that they are level using a spirit level). The outside edges of the plates should be 490mm from each other.



3. For each backplate drill two holes, suitable for the wall plugs that are to be used.

4. Proceed to securely fit each of the wall mounting plates with the necessary wall fixings.

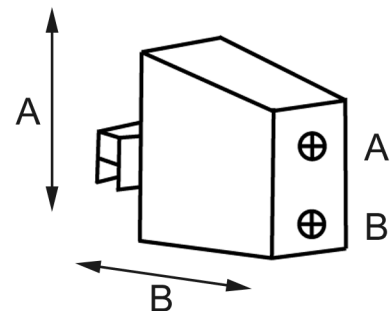
5. Locate the washstand hangers onto the wall mounting plates.

6. Wall hangers not only tighten the unit against the wall (by turning screw B) but also offer up/down adjustment to fine-tune the fixing position (by adjusting screw A). Again use a spirit level for guidance to ensure a perfectly level installation.

7. Doors can be reversed if desired – please see overleaf for details.

8. You will now need to fit the supplied handle in the required position. See overleaf.

9. Finally, the small protective plastic feet on the base of unit can now be carefully removed if preferred. We recommend doing this by pulling out the staples using some finger pliers.



Installation of Ceramic Basins

Ceramic basins should be secured to base units using silicone sealant (not supplied).