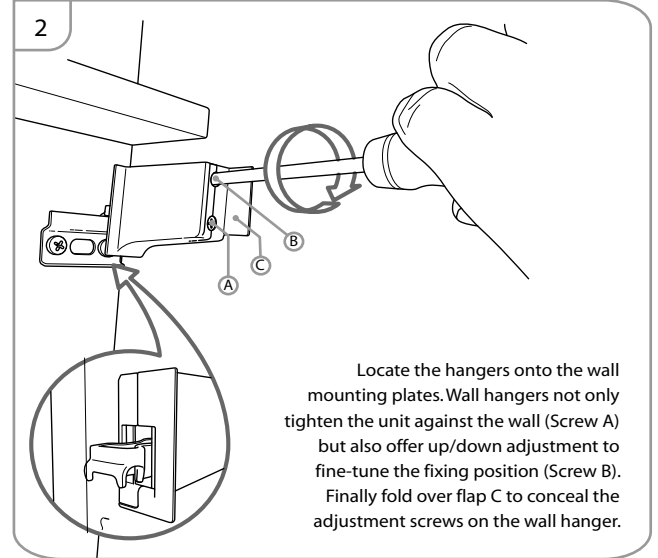
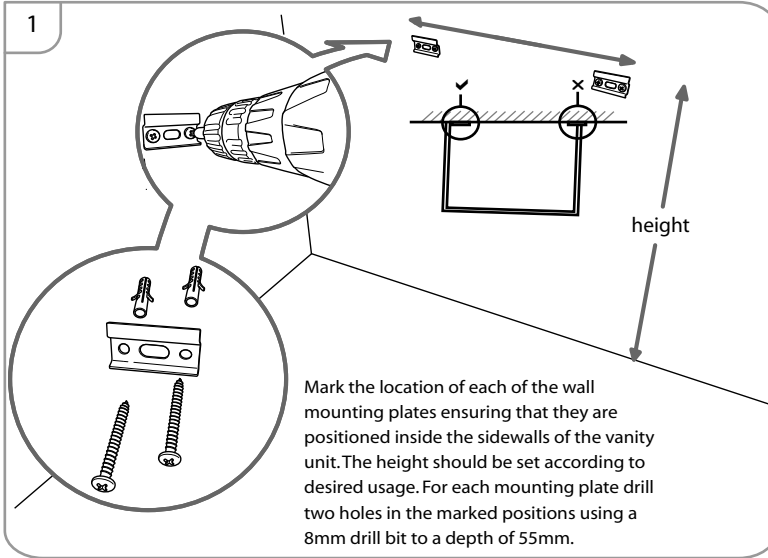


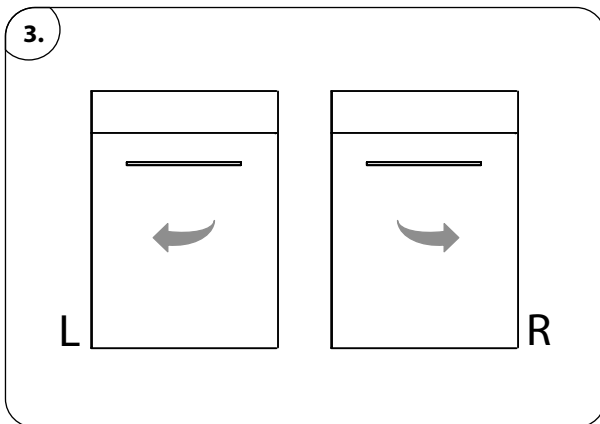
Before you start

It is recommended that the unit and basin are secured to a suitably reinforced wall to ensure stability. Wall plugs supplied are only suitable for solid stone / brick walls. For plasterboard walls use specialist wall plugs, if in any doubt please consult an expert.

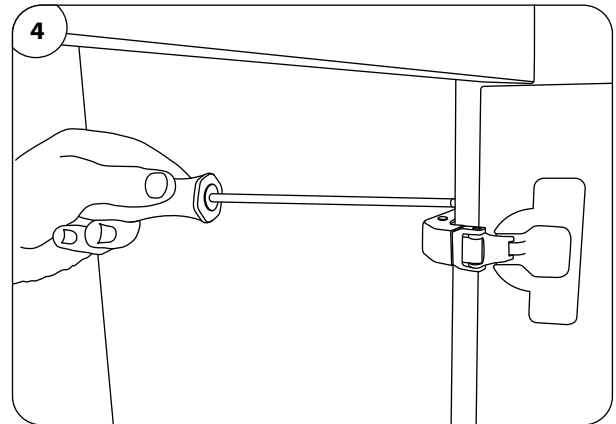
Wear suitable eye protection when drilling. Take care when using power tools near water - the use of a residual current device (RCD) is recommended. Beware of hidden pipes or cables. Take care when drilling tiled surfaces as the drill might slip. Use a piece of masking tape to prevent the drill from wandering.



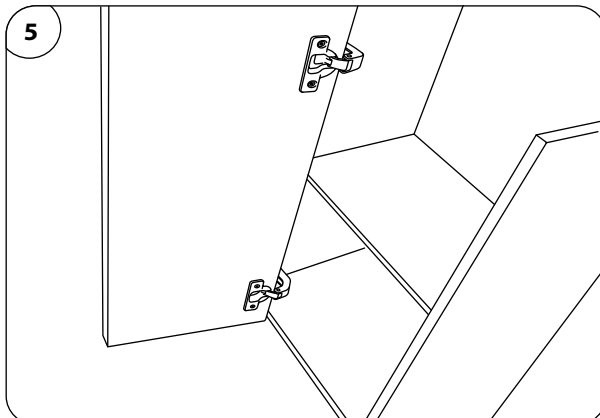
Reversing and handle attachment



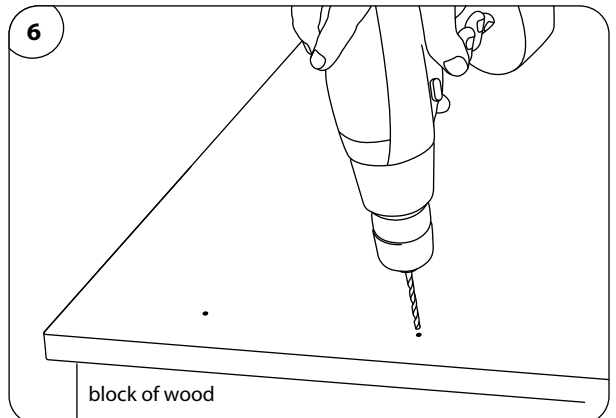
Depending on the intended location of the unit, you have the option of choosing whether you want a left or right hand opening door.



If the delivered configuration isn't suitable, remove door from unit using a suitable tool.



Reattach the door to the chosen side and replace cover caps in the obsolete hinge holes.



Once the handing has been chosen, remove the door using the quick release hinges. Place door on to a clean and smooth scrap piece of wood and carefully drill out the selected holes for the handle bolts.

All wooden furniture should be treated with care...

We recommend



Wipe away any water splashes or condensation after use. Excessive exposure to water will deteriorate the furniture.



All bathrooms should be well ventilated with a suitable extractor fan.



Clean with a soft damp cloth only.



Use a wax free polish if one must be used.

For removal of lime scale deposits use a suitable proprietary cleaner. If necessary test on an inconspicuous area first.

Please DO NOT...



Do not scrub or scour



Do not use abrasive cleaning agents

Replacement components

Should you require any replacement components for this product please contact Soakology using the contact details below.