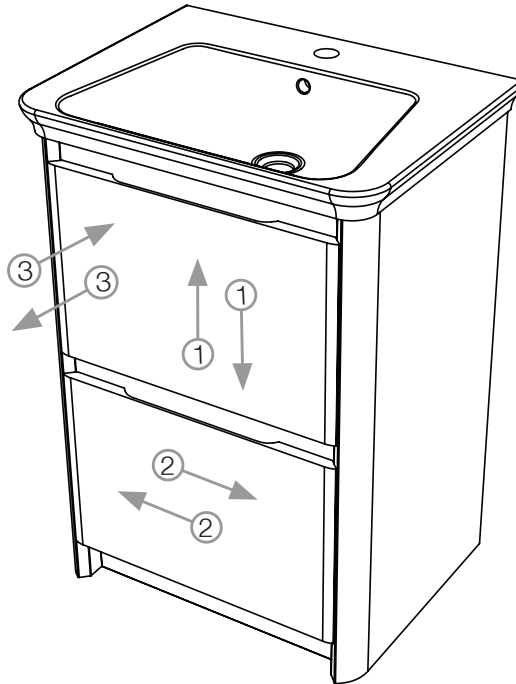
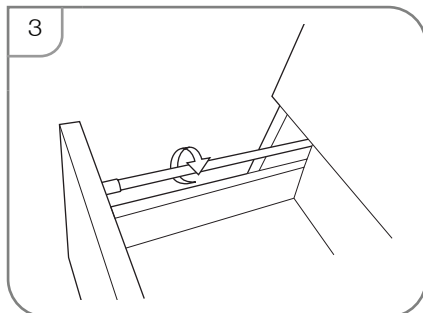
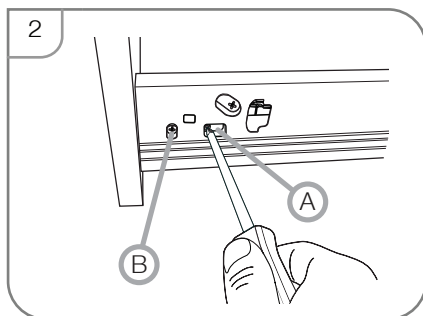
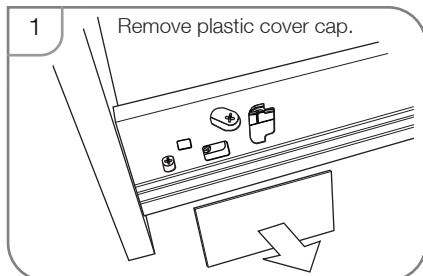


We recommend that the unit is fitted to a wall. This can be done using screws through the back brace (not supplied). Wear suitable eye protection when drilling. Take care when using power tools near water - the use of a residual current device (RCD) is recommended. Beware of hidden pipes or cables. Take care when drilling tiled surfaces as the drill might slip. Use a piece of masking tape to prevent the drill from wandering.

### Fascia Adjustment

Fascias may require adjustment for correct alignment. This is achieved with the adjusting mechanisms shown in diagrams 1 and 2.



To make adjustment 1 (Up and Down)  
turn screw A (see Drawing 2)

To make adjustment 2 (Left and Right)  
turn screw B (see Drawing 2)

To make adjustment 3 (In and Out)  
adjust rail (see Drawing 3)

### Fitting ceramic basin

Once the basin has been plumbed in finish by securing to the washstand using a silicone sealant (not supplied).

### Furniture Aftercare Instructions

As with all wooden furniture, this product should be treated with care.

#### We recommend...

- Wipe away any water splashes or condensation after use. Excessive exposure to water will deteriorate the furniture.
- All bathrooms should be well ventilated with a suitable extractor fan.
- Clean with a soft damp cloth only.
- Use a wax free polish if one must be used.
- For removal of lime scale deposits use a suitable proprietary cleaner. If necessary test on an inconspicuous area first

#### Please DO NOT...

- Do not scrub or scour
- Do not use abrasive cleaning agents

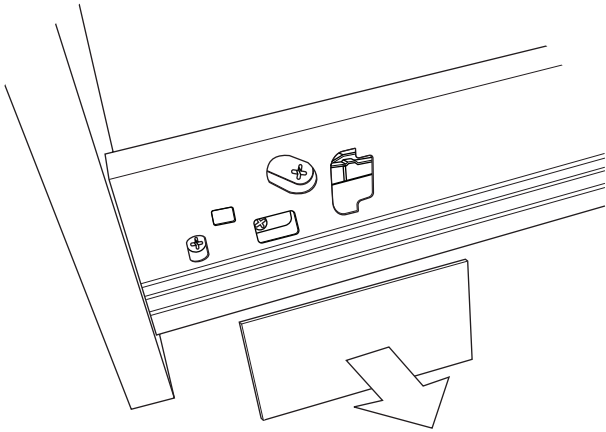
### Replacement components

Should you require any replacement components for this product please contact Tavistock using the contact details below.

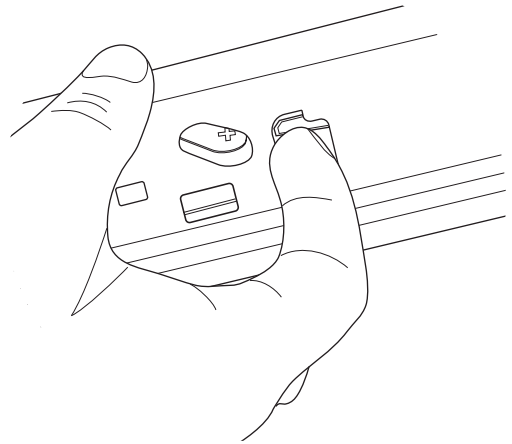
**Removing the drawers / fascia**

If faulty or damaged, the fascias can be removed and replaced. To remove the Drawer and Fascias please follow the instructions below:

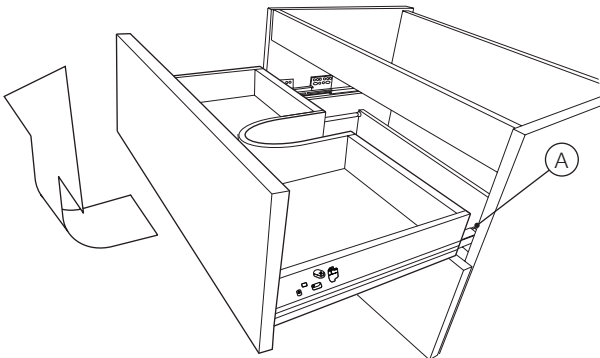
4 Remove the rectangular cap.



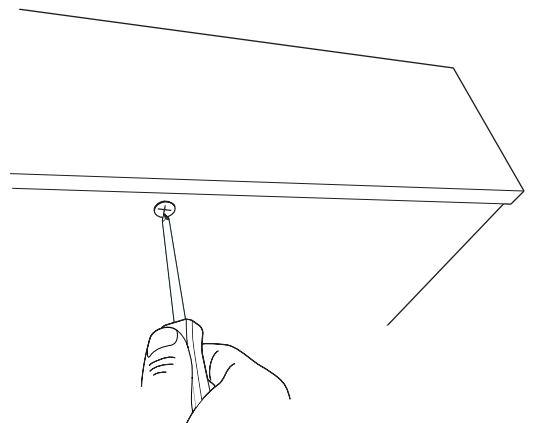
5 Squeeze the lever on each side of the drawer to release from runner



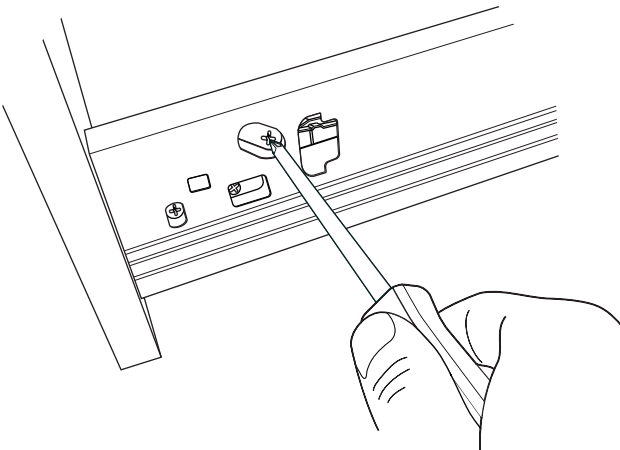
6 Gently slide the drawer outwards and upwards to remove fully from runner.



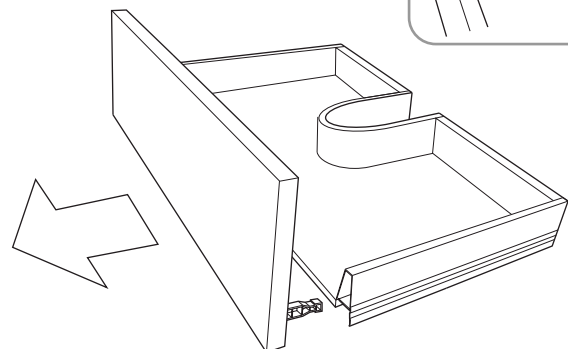
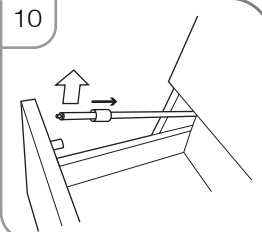
7 Unscrew the CAM screw on the underside of the drawer



8 Release the fascia using a screwdriver.



9 Release the adjustment rail (diagram 10) then pull the fascia away from the body of the drawer.



NOTE - When replacing the drawers back on their runners ensure they have been 'clicked' back into position at point A in diagram 6 (on both sides)