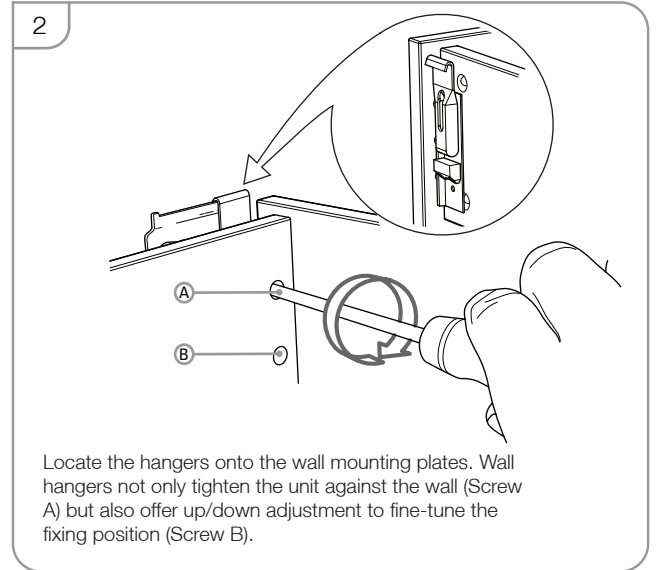
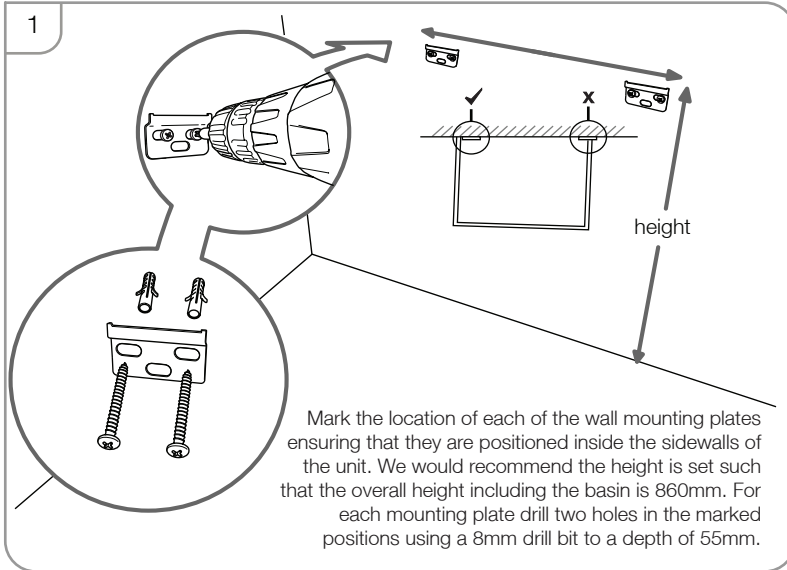


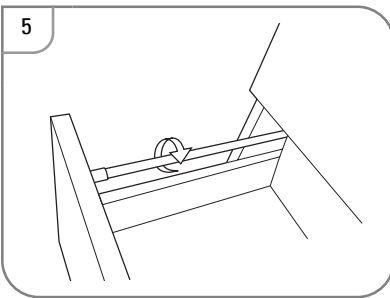
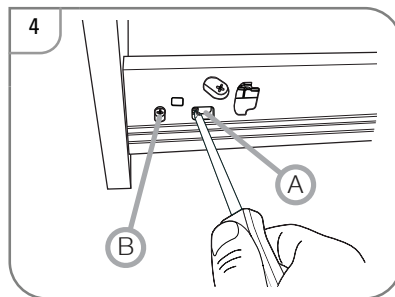
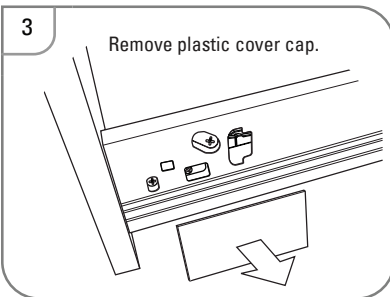
Before you start

It is recommended that the unit and basin are secured to a suitably reinforced wall to ensure stability. The wall plugs supplied are only suitable for solid stone / brick walls. For plasterboard walls use specialist wall plugs along with supplementary wall strengthening as units can be very heavy. Seek advice from a specialist about the suitability of fixings to be used. Wear suitable eye protection when drilling. Take care when using power tools near water - the use of a residual current device (RCD) is recommended. Beware of hidden pipes or cables. Take care when drilling tiled surfaces as the drill might slip. Use a piece of masking tape to prevent the drill from wandering.



Fascia Adjustment

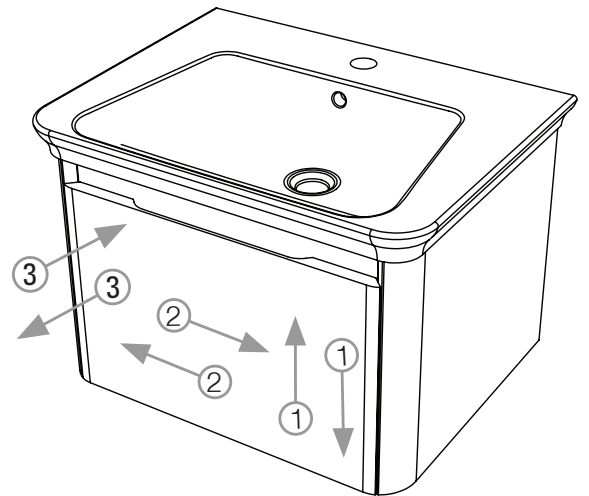
Fascias may require adjustment for correct alignment. If adjustment is required follow instructions below.



To make adjustment 1 (Up and Down) turn screw A (see Drawing 4)

To make adjustment 2 (Left and Right) turn screw B (see Drawing 4)

To make adjustment 3 (In and Out) adjust rail (see Drawing 5)



Fitting ceramic basin

Once the basin has been plumbed in finish by securing to the washstand using a silicone sealant (not supplied).

We recommend...

- Wipe away any water splashes or condensation after use. Excessive exposure to water will deteriorate the furniture.
- All bathrooms should be well ventilated with a suitable extractor fan.
- Clean with a soft damp cloth only.
- Use a wax free polish if one must be used.
- For removal of lime scale deposits use a suitable proprietary cleaner. If necessary test on an inconspicuous area first

Please DO NOT...

- Do not scrub or scour
- Do not use abrasive cleaning agents

Replacement components

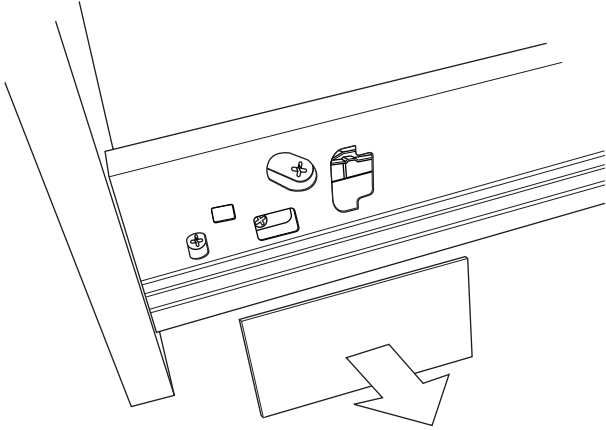
Should you require any replacement components for this product please contact Soakology using the contact details below.

Soakology Unit 5, Brassmill Lane Enterprise Centre, Bath, BA1 3JN
 t. 0845 862 9888 e. contact@soakology.co.uk w. www.soakology.co.uk

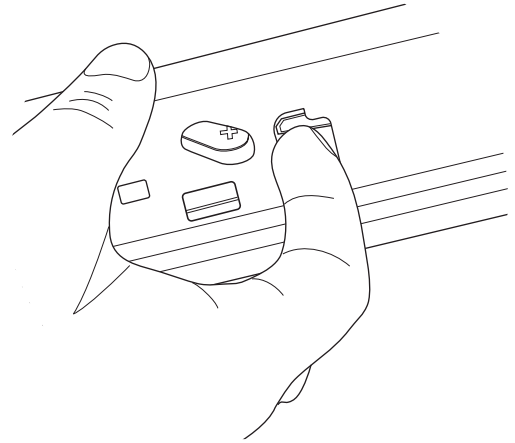
Removing the drawers / fascia

If faulty or damaged, the fascias can be removed and replaced. To remove the Drawer and Fascias please follow the instructions below:

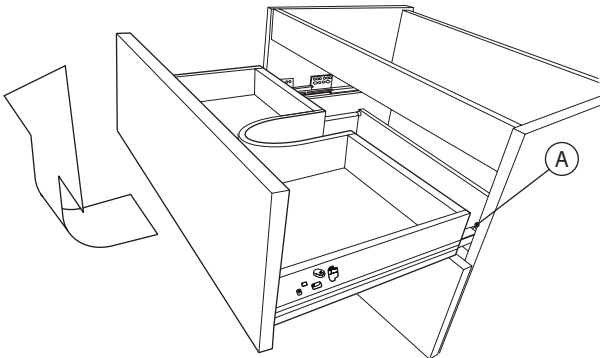
6 Remove the rectangular cap.



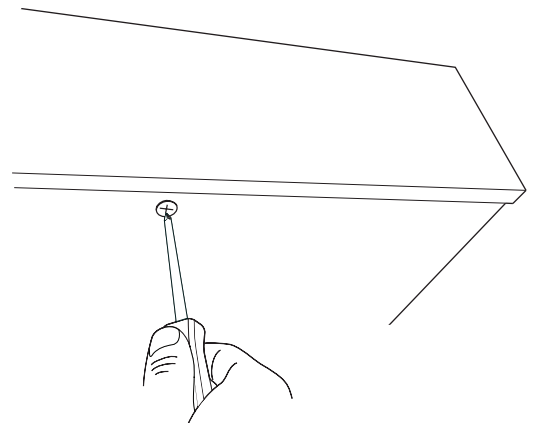
7 Squeeze the lever on each side of the drawer to release from runner



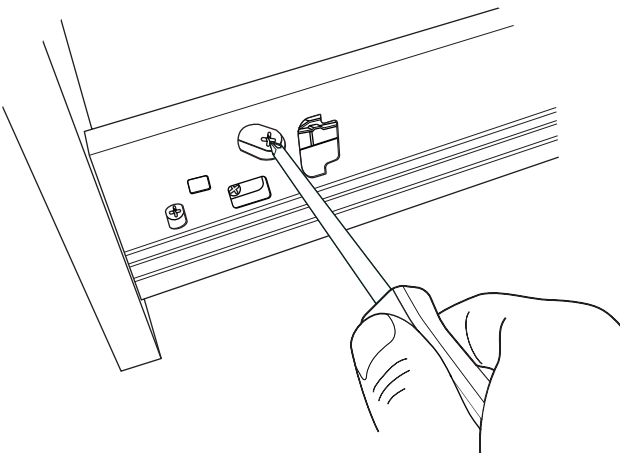
8 Gently slide the drawer outwards and upwards to remove fully from runner.



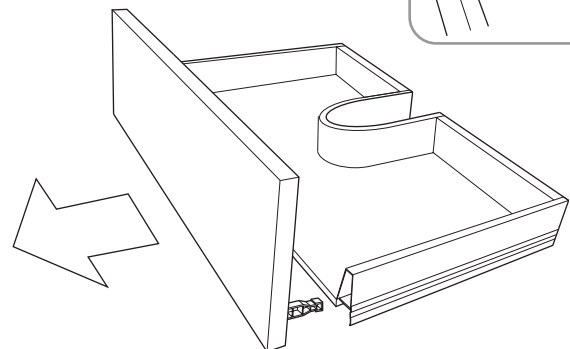
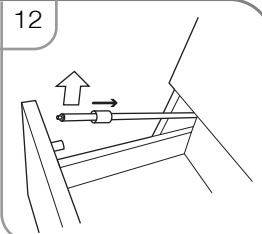
9 Unscrew the CAM screw on the underside of the drawer



10 Release the fascia using a screwdriver.



11 Release the adjustment rail (diagram 12) then pull the fascia away from the body of the drawer.



NOTE - When replacing the drawers back on their runners ensure they have been 'clicked' back into position at point A in diagram 6 (on both sides)