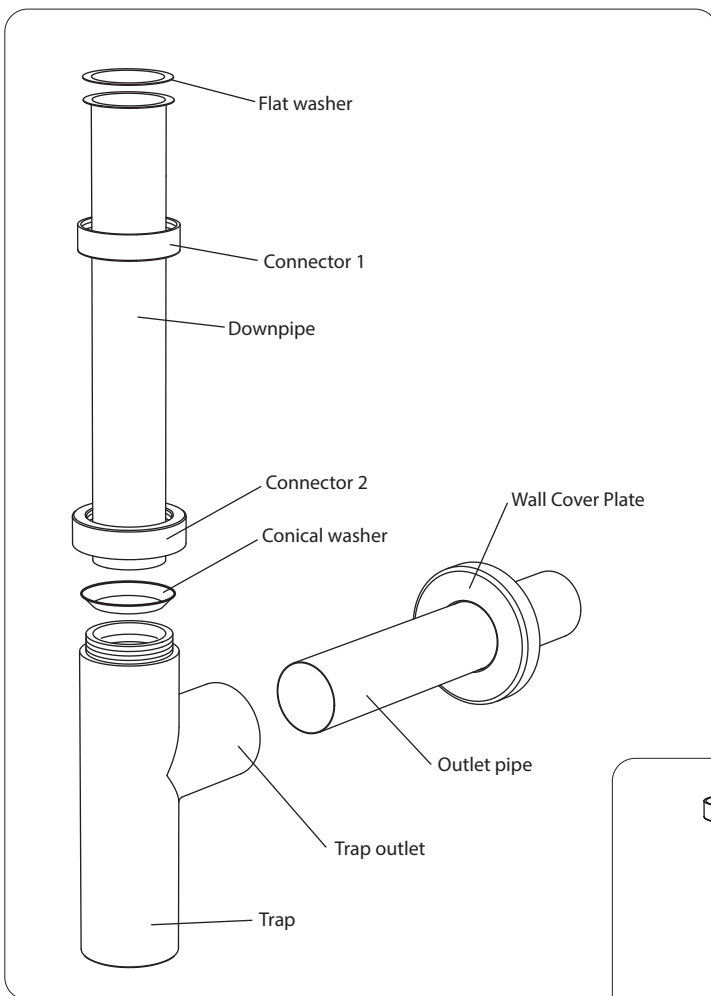




Soakology

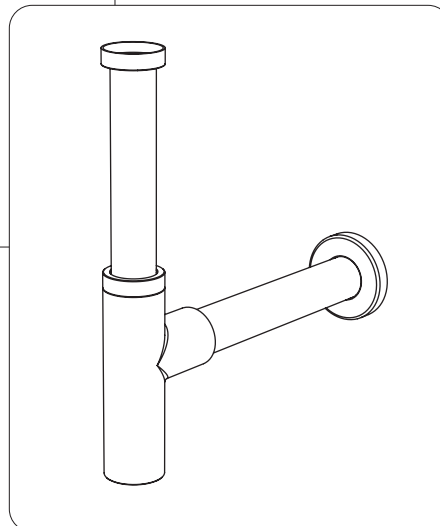
THE SCIENCE OF BATHROOMS

TRAP Assembly Instructions



Steps:

1. Connect the downpipe to the waste, placing the flat washer between the two components and tighten connector 1 onto the threaded body of the waste.
2. Connect the trap to the end of the downpipe, placing the conical washer between the two components and tightening connector 2 onto the trap.
3. Measure the required amount of outlet pipe to be used and cut this to size.
4. Slide the wall cover plate onto the outlet pipe and then slot the outlet pipe into the trap outlet.
5. These traps have a slotted base which can be unscrewed and removed to reveal any items caught in the trap.



Should you encounter any problems with this product please contact -
Monday to Friday 9:00am to 5:00pm on
03300 882 803
Soak@soakology.co.uk

Unit 5
Brassmill Lane Enterprise Centre
Brassmill Lane
Bath BA1 3JN