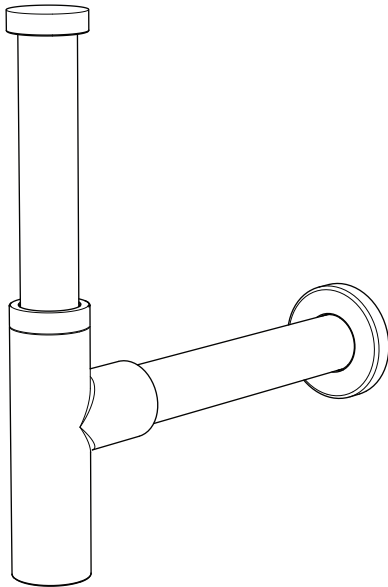


FITTING INSTRUCTIONS

SK12002 - Round Bottle Trap



Soakology
THE SCIENCE OF BATHROOMS



INSTALLATION PROCEDURE

1. Connect the downpipe to the waste, placing the flat washer between the two components and tighten connector 1 onto the threaded body of the waste.

2. Connect the trap to the end of the downpipe, placing the conical washer between the two components and tightening connector 2 onto the trap.

3. Measure the required amount of outlet pipe to be used and cut this to size.

4. Slide the wall cover plate onto the outlet pipe and then slot the outlet pipe into the trap outlet.

5. These traps have a slotted base which can be unscrewed and removed to reveal any items caught in the trap.

