

# Technical Data Sheet

Laguna  
Shower System



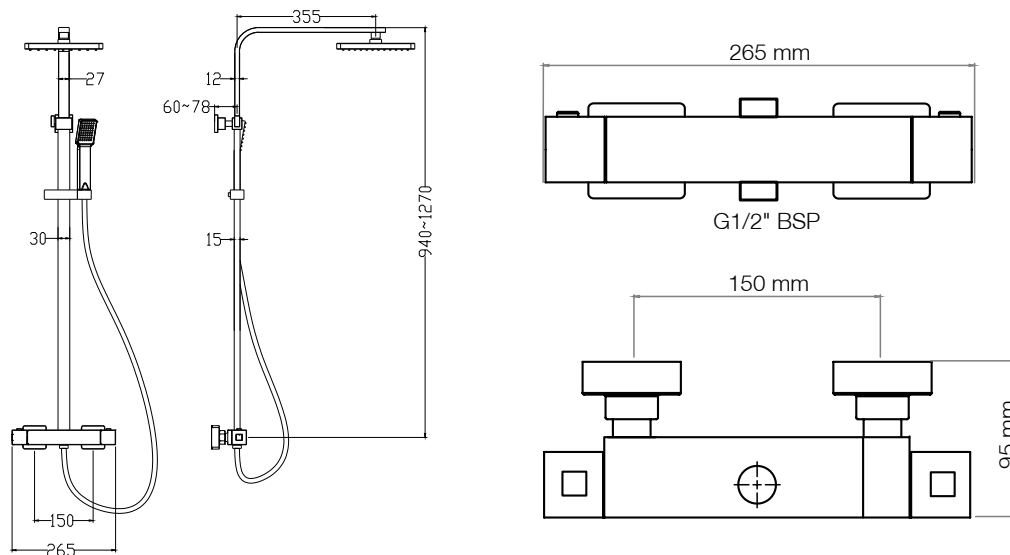
No.	Description	Code	Fixings Included	Gross Weight	Net Weight
I	Laguna Shower System	TR3004	YES		



### Features

- Thermostatic Diverter Shower Valve
- Chrome Plated Brass Body
- Single Function Shower Handset
- Height Adjustable Riser Rail
- Quick Fix Wall Mounting Kit
- Anti-Scald Thermostatic Control for safe showering

### Dimensions



Diagrams not to scale  
All dimensions in mm  
tolerance of +/-2mm

### FAQ's

PRESSURE (BAR)	1	2	3	4
FLOW RATE FROM HANDSET (LITRES/MIN)	8.00	10.98	13.16	15.08
FLOW RATE FROM FIXED HEAD (LITRES/MIN)	6.90	9.62	11.48	13.60

Minimum Recommended Pressure 1.0 Bar