

ARTE - Basin Mixer with Click Waste Installation & Aftercare Instructions

Retain for future reference



Customer Services

Soakology, Unit 5, Brassmill Lane Enterprise Centre Brassmill Lane, Bath, BA1 3JN
t. 0845 862 9888 e. contact@soakology.co.uk w: www.soakology.co.uk

Part of Total Bathroom Enterprises Ltd
VAT No. 153612626 Company No. 8260845

ARTE - Basin Mixer with Click Waste Installation & Aftercare Instructions

Installation Procedures

TOOLS NEEDED: Adjustable spanner

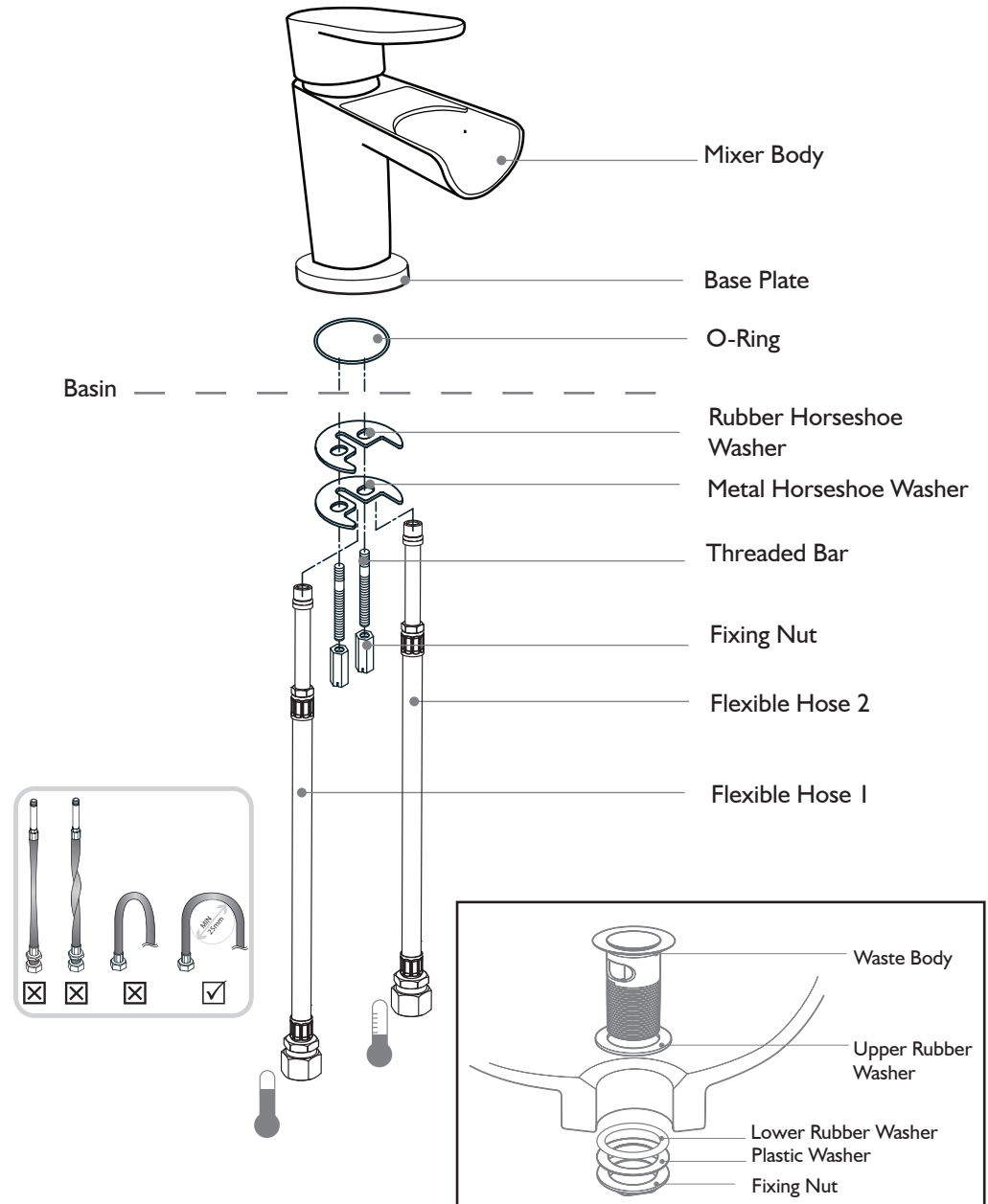
- 1) Prior to installation flush out the pipe work to remove debris and then ensure the water supply is turned off.
- 2) Refer to diagram and ensure all components are present.
- 3) Fit the flexible tail hoses into the base of the basin mixer body using an appropriate spanner. Make sure you do not over tighten.
- 4) Attach the shorter threaded end of both threaded bars into their locations in the base of the basin mixer. The bottom of the threaded bars have a cross head screw drive slot. Use a small Phillips screwdriver to tighten the threaded bars to the mixer body.
- 5) Place the base plate and o-ring between the basin mixer body and the tap hole. Secure on the underside using the rubber horseshoe washer, metal horseshoe washer and fixing nuts in the order shown. Do not overtighten as this may damage the basin.
- 6) Connect the water supply to the flexible hoses, making sure the hot supply is connected to the left hose (flexible hose 1 in the diagram).
- 7) Fully open the taps and allow to run both hot and cold for approximately 1 minute to fully flush the system.
- 8) Check all connections for leaks.

Click Waste Installation

- 1) Fit the upper rubber washer to the waste body and insert the assembly into the basin waste hole as shown. On the underside attach the second rubber washer, plastic washer and fixing nut in the order shown.
- 2) Firmly screw the fixing nut tight to the basin. Care must be taken however to not overtighten, which could crack the basin. Check to ensure there are no leaks when the basin is filled with water. Silicone sealant can be applied to the underside of the upper rubber washer for an additional seal if necessary.

Aftercare Instructions

Whilst the item has a high quality durable finish, it should nevertheless be treated with care. Surfaces should be cleaned only using a soft damp cloth and clean water and dried using a soft cotton cloth. Bath cleaning products, even non scratch ones could damage the finished surface.



Customer Services

Soakology, Unit 5, Brassmill Lane Enterprise Centre Brassmill Lane, Bath, BA1 3JN
t. 0845 862 9888 e. contact@soakology.co.uk w: www.soakology.co.uk