

## CUBIX - Bath / Shower Mixer Installation & Aftercare Instructions

Retain for future reference



### Customer Services

Soakology, Unit 5, Brassmill Lane Enterprise Centre Brassmill Lane, Bath, BA1 3JN  
t. 0845 862 9888 e. [contact@soakology.co.uk](mailto:contact@soakology.co.uk) w: [www.soakology.co.uk](http://www.soakology.co.uk)

Part of Total Bathroom Enterprises Ltd  
VAT No. 153612626 Company No. 8260845

# CUBIX - Bath / Shower Mixer Installation & Aftercare Instructions

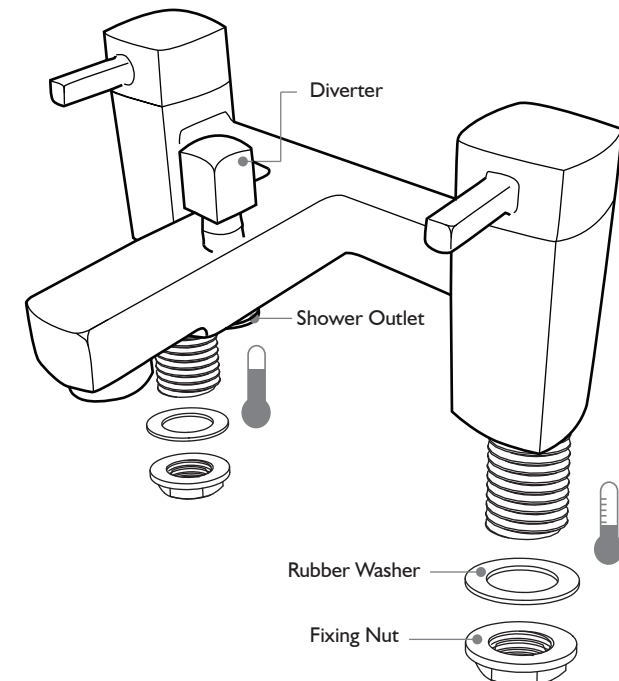
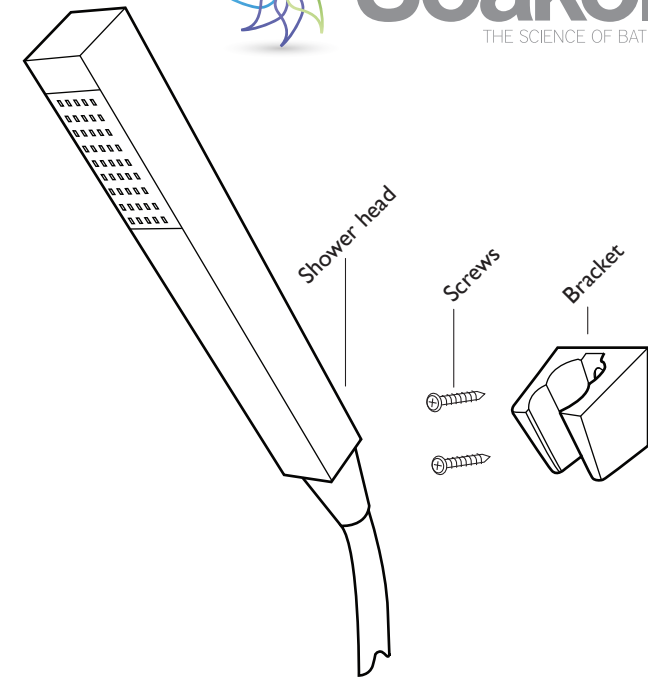
## Installation Procedures

**TOOLS NEEDED:** Adjustable spanner , PTFE tape

- 1) Prior to installation flush out the pipe work to remove debris and then ensure the water supply is turned off.
- 2) Refer to diagram and ensure all components are present.
- 3) Fit the bath filler to the bath ensuring the rubber washer and fixing nut are on the underside of the bath.
- 4) Connect to the water supply, ideally using PTFE tape on the threads to form a watertight seal. The hot water supply should always be connected to the left hand leg.
- 5) Fully open both valves and allow to run for approximately 1 minute to fully flush the system
- 6) Check all connections for leaks.
- 7) Attach the end of the shower hose with the large nut shaped fitting to the bottom of the diverter valve. The other end should be attached to the shower head.
- 8) Establish the desired position for the shower head wall-mounting bracket. Check that the bracket is oriented correctly & that the shower head will reach by placing it temporarily in position. Caution: Before drilling, check for hidden power cables and pipes. Take care using power tools, especially near water. The use of a residual current device (RCD) is recommended.
- 9) Drill two 6mm holes in the desired positions for the shower head mounting bracket and insert the supplied nylon plugs into the holes before screwing into place.

## Aftercare Instructions

Whilst the item has a high quality durable finish, it should nevertheless be treated with care. Surfaces should be cleaned only using a soft damp cloth and clean water and dried using a soft cotton cloth. Bath cleaning products, even non scratch ones could damage the finished surface.



## Customer Services

Soakology, Unit 5, Brassmill Lane Enterprise Centre Brassmill Lane, Bath, BA1 3JN  
t. 0845 862 9888 e. [contact@soakology.co.uk](mailto:contact@soakology.co.uk) w: [www.soakology.co.uk](http://www.soakology.co.uk)