

FLO - Bath / Shower Mixer Installation & Aftercare Instructions

Retain for future reference



Customer Services

Soakology, Unit 5, Brassmill Lane Enterprise Centre Brassmill Lane, Bath, BA1 3JN
t. 0845 862 9888 e. contact@soakology.co.uk w: www.soakology.co.uk

Part of Total Bathroom Enterprises Ltd
VAT No. 153612626 Company No. 8260845

FLO - Bath / Shower Mixer

Installation & Aftercare Instructions

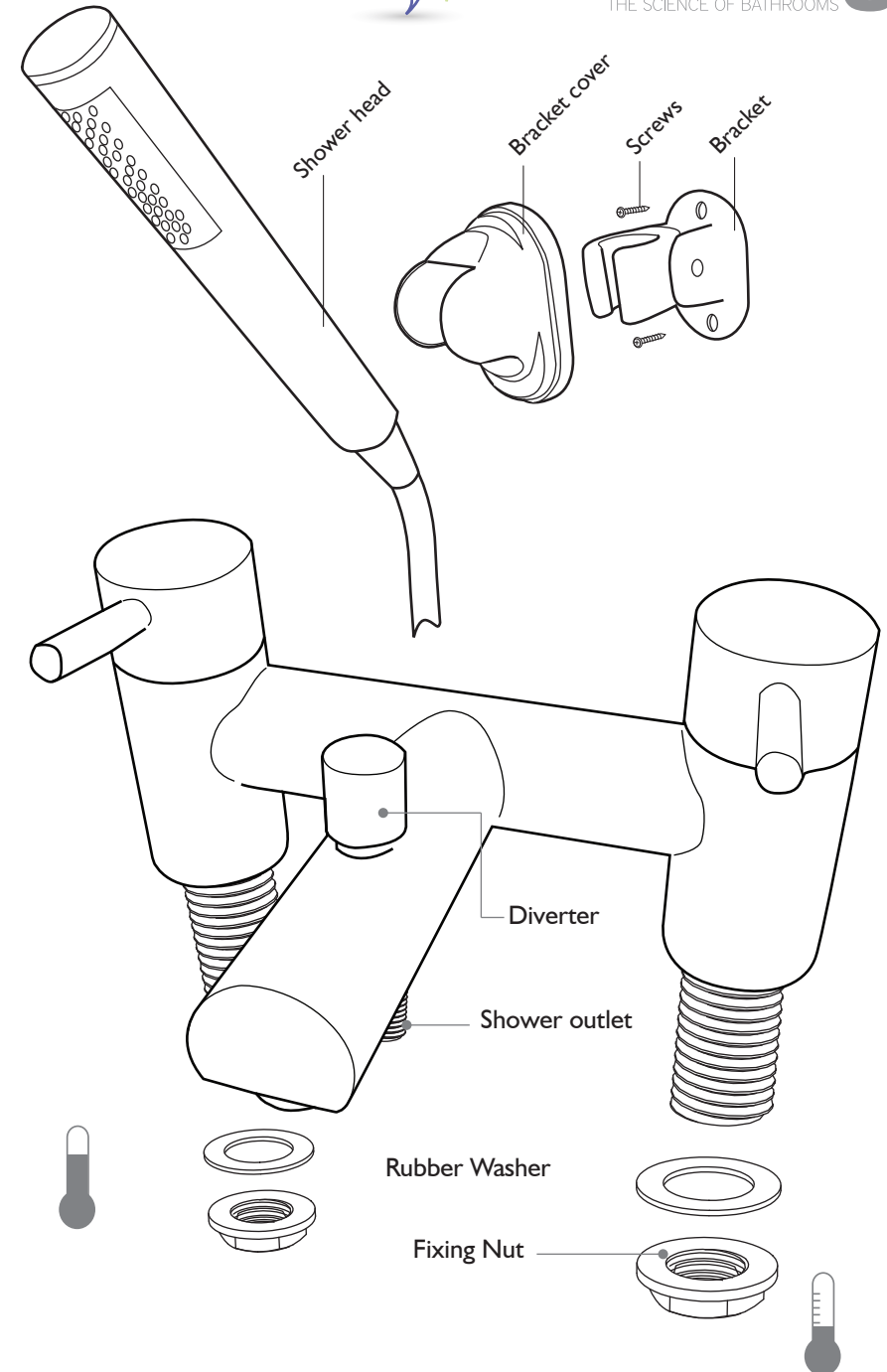
Installation Procedures

TOOLS NEEDED: Adjustable spanner , PTFE tape

- 1) Prior to installation flush out the pipe work to remove debris and then ensure the water supply is turned off.
- 2) Refer to diagram and ensure all components are present.
- 3) Fit the bath filler to the bath ensuring the rubber washer and fixing nut are on the underside of the bath.
- 4) Connect to the water supply, ideally using PTFE tape on the threads to form a watertight seal. The hot water supply should always be connected to the left hand leg.
- 5) Fully open both valves and allow to run for approximately 1 minute to fully flush the system
- 6) Check all connections for leaks.
- 7) Attach the end of the shower hose with the large nut shaped fitting to the bottom of the diverter valve. The other end should be attached to the shower head.
- 8) Establish the desired position for the shower head wall-mounting bracket. Check that the bracket is oriented correctly & that the shower head will reach by placing it temporarily in position. Caution: Before drilling, check for hidden power cables and pipes. Take care using power tools, especially near water. The use of a residual current device (RCD) is recommended.
- 9) Drill a 6mm hole in the desired positions for the shower head mounting bracket and insert the supplied nylon plugs into the holes before screwing into place.
- 10) Once the shower head mounting bracket is secure, slide the bracket cover over the bracket and push until secured by the snap fitting.

Aftercare Instructions

Whilst the item has a high quality durable finish, it should nevertheless be treated with care. Surfaces should be cleaned only using a soft damp cloth and clean water and dried using a soft cotton cloth. Bath cleaning products, even non scratch ones could damage the finished surface.



Customer Services

Soakology, Unit 5, Brassmill Lane Enterprise Centre Brassmill Lane, Bath, BA1 3JN
t. 0845 862 9888 e. contact@soakology.co.uk w: www.soakology.co.uk