

FLO - Basin Taps

Installation & Aftercare Instructions

Retain for future reference



Customer Services

Soakology, Unit 5, Brassmill Lane Enterprise Centre Brassmill Lane, Bath, BA1 3JN
t. 0845 862 9888 e. contact@soakology.co.uk w: www.soakology.co.uk

Part of Total Bathroom Enterprises Ltd
VAT No. 153612626 Company No. 8260845

FLO - Basin Taps

Installation & Aftercare Instructions

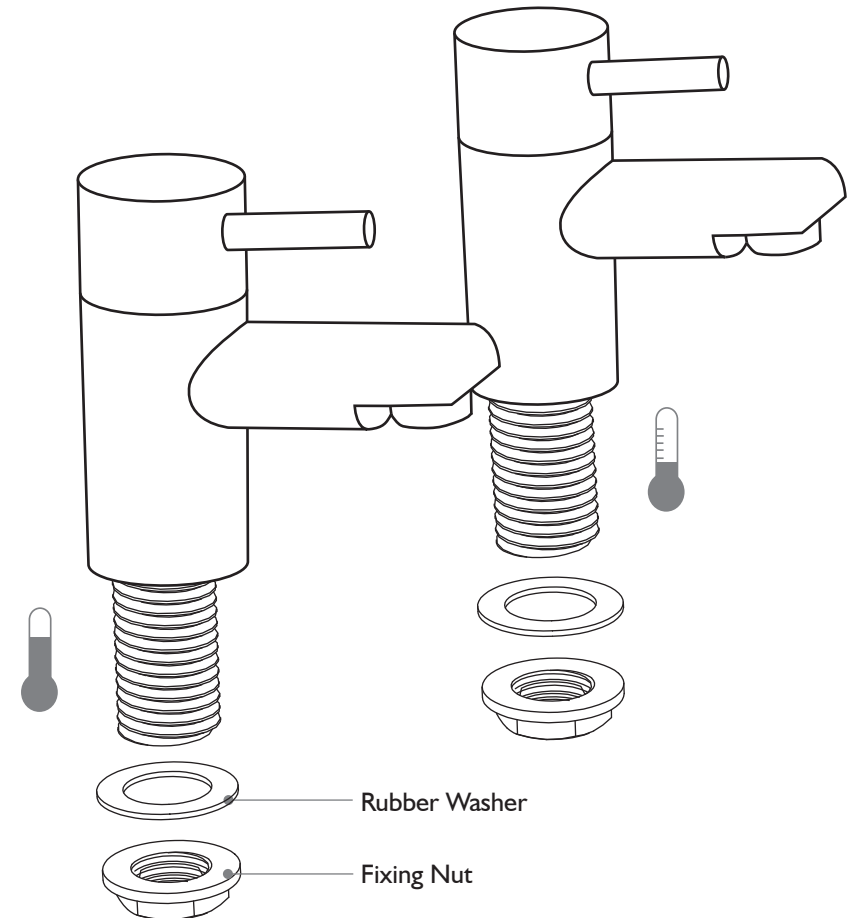
Installation Procedures

TOOLS NEEDED: Adjustable spanner , PTFE tape

- 1) Prior to installation flush out the pipe work to remove debris and then ensure the water supply is turned off.
- 2) Refer to diagram and ensure all components are present.
- 3) Fit the taps to the basin ensuring the rubber washer and fixing nut are on the underside of the basin.
- 4) Connect to the water supply, ideally using PTFE tape on the threads to form a watertight seal. The hot water supply should always be connected to the left hand leg.
- 5) Fully open both valves and allow to run for approximately 1 minute to fully flush the system.
- 6) Check all connections for leaks.

Aftercare Instructions

Whilst the item has a high quality durable finish, it should nevertheless be treated with care. Surfaces should be cleaned only using a soft damp cloth and clean water and dried using a soft cotton cloth. Bath cleaning products, even non scratch ones could damage the finished surface.



Customer Services

Soakology, Unit 5, Brassmill Lane Enterprise Centre Brassmill Lane, Bath, BA1 3JN
t. 0845 862 9888 e. contact@soakology.co.uk w: www.soakology.co.uk