

10MM SHOWER WALL

IMPORTANT

Thank you for choosing Merlyn. Please familiarise yourself with the fitting instructions before commencing fitting.

- 1. Check that you have the tools required.
- 2. Check that the installation site is compatible with size of door supplied
- 3. Check all the enclosure components.
- 4. Check that the installation kit is complete

DO NOT attempt to install the product unless you can tick ALL 4 boxes as satisfactory.

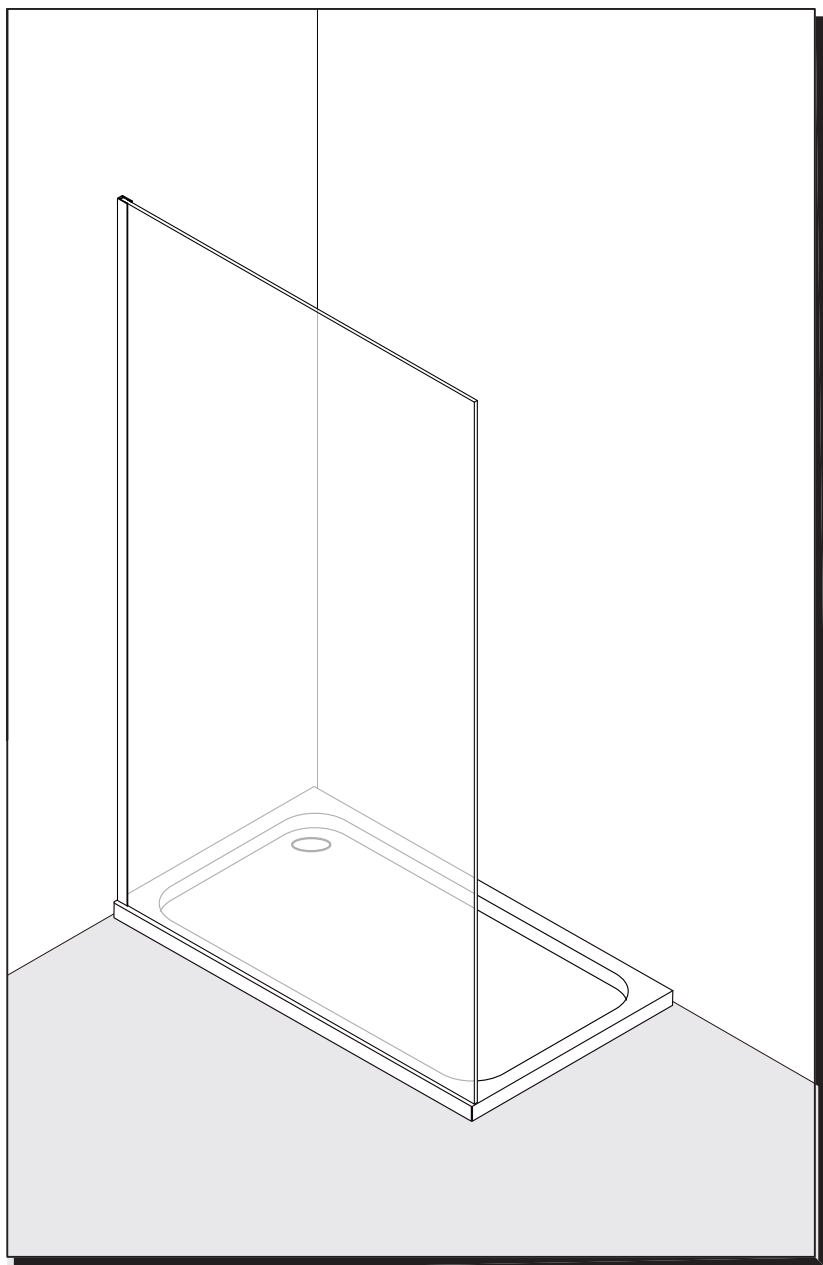
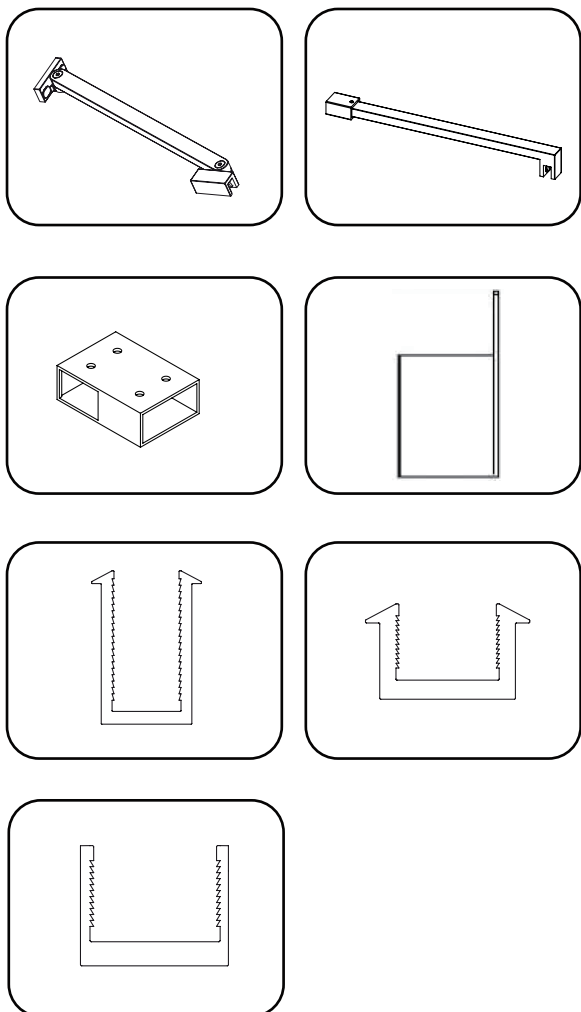
The wall plugs supplied with the installation kit are for use in solid walls. Hollow or 'stud-partition' walls will require alternative fixings. Please consult a hardware supplier for the correct type.

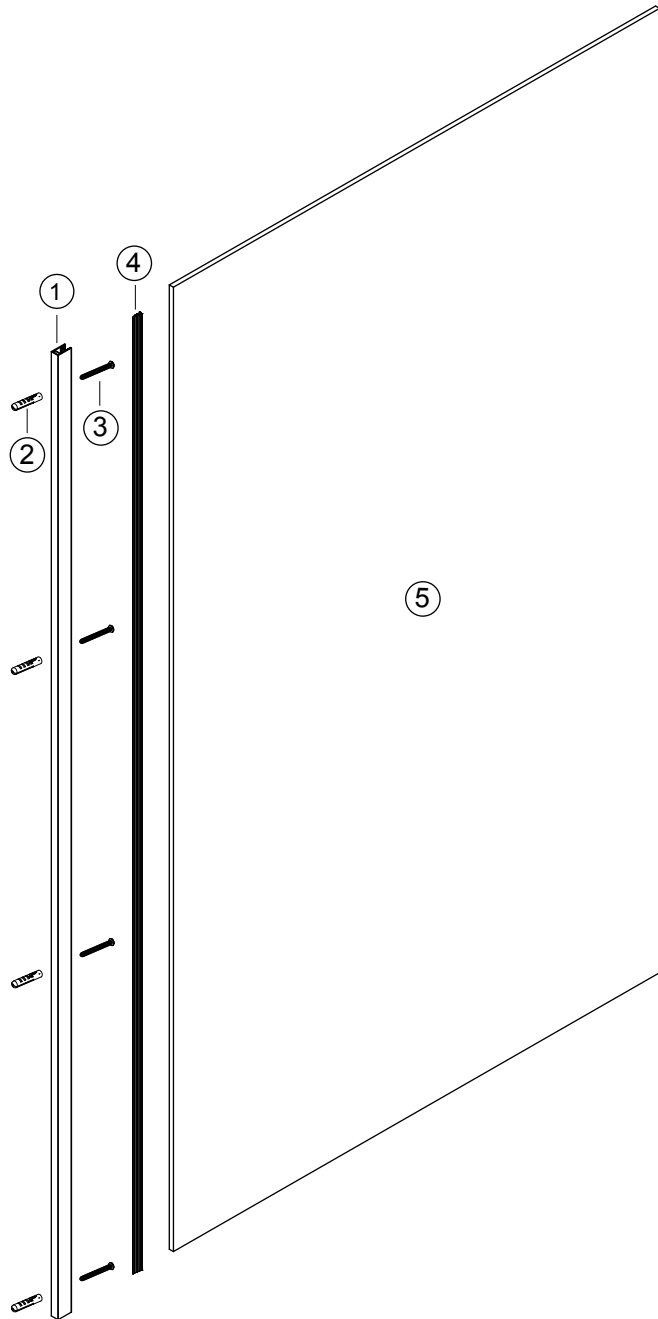
It may also be necessary to consult your tiling supplier about the correct method for drilling your tiles.

USE SAFETY EYEWEAR WHEN DRILLING

Any parts missing or damaged must be reported to your supplier within 5 days of purchase. Inspect shower enclosure before fitting. No claims will be acceptable after product has been installed.

ADDITIONAL OPTIONS



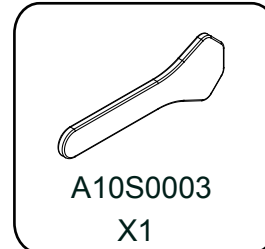


| No. | Description | QTY | Part No. |
|-----|---------------------------|-----|----------|
| 1 | Wall profile | 1 | A10S0001 |
| 2 | Standard Wall plug 6x30 | 4 | A03S0090 |
| 3 | Wall fixing screws ST4*30 | 4 | A03S0089 |
| 4 | Clamping Seal | 1 | A10S0002 |
| 5 | Glass panel | 1 | A |

Note: Further part details for fixing kit available on page 2

Fixing Kit Components

(Parts shown are not to scale)



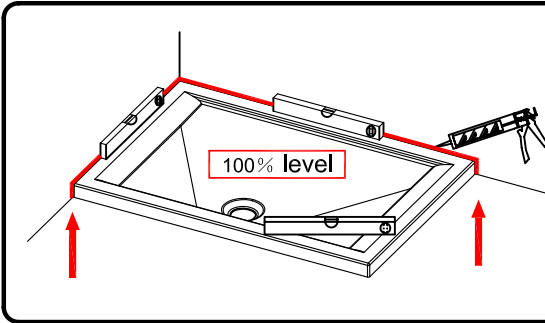
Tools Required

- 6mm masonry drill bit
- Power drill
- Quality Silicone
- Pencil
- Tape Measure
- #2 Philips Head screw driver
- Spirit level with horizontal and vertical level indicators

IMPORTANT - Installation site

1. Ensure the top surface of the shower tray on which the enclosure will be installed is level in every direction.
2. The tiles or other wall finishing should be effectively sealed at the tray edges.
3. Tiles should extend at least to the corners of the tray and a minimum of 2.1 metres from the top of the tray.

PROCEDURE



TRAY MUST BE 100% LEVEL IN ALL DIRECTIONS

Ensure the shower tray is level in all directions and is properly sealed to the wall. The wall must be tiled down to the top edge of the tray. **Do not angle out bottom tile.**

TRAY MUST BE SEALED FULLY AROUND WHERE THE TRAY MEETS THE WALL.

Step 1.

Place the wall profile **A10S0001** in from the edge of the tray. Must ensure the wall profile is level to the wall. If the shower wall is fitted on the wet room condition, please ignore the tray.

Step 2.

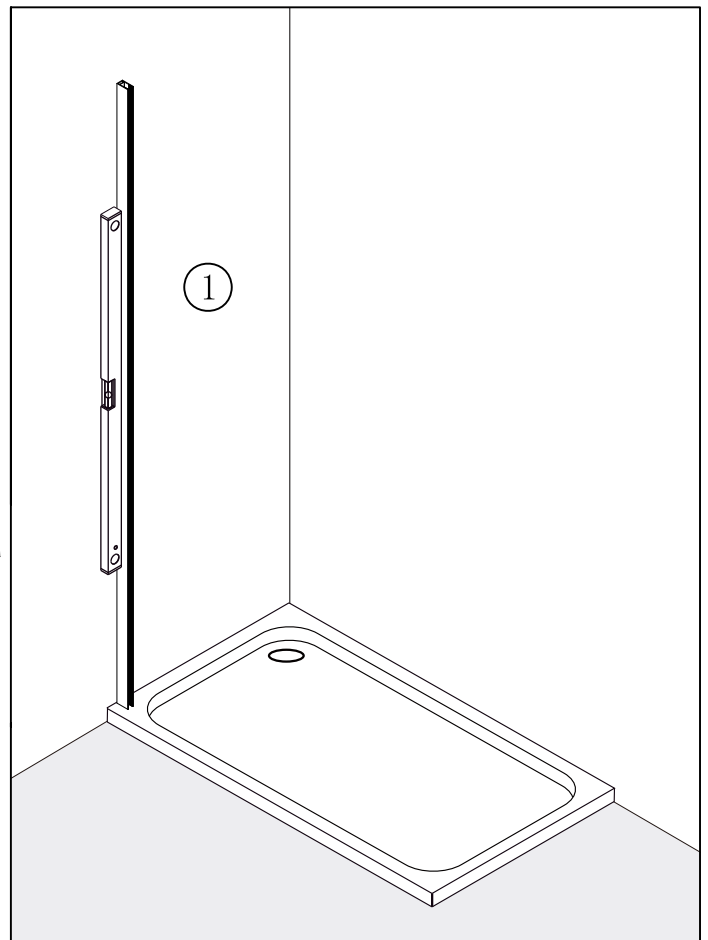
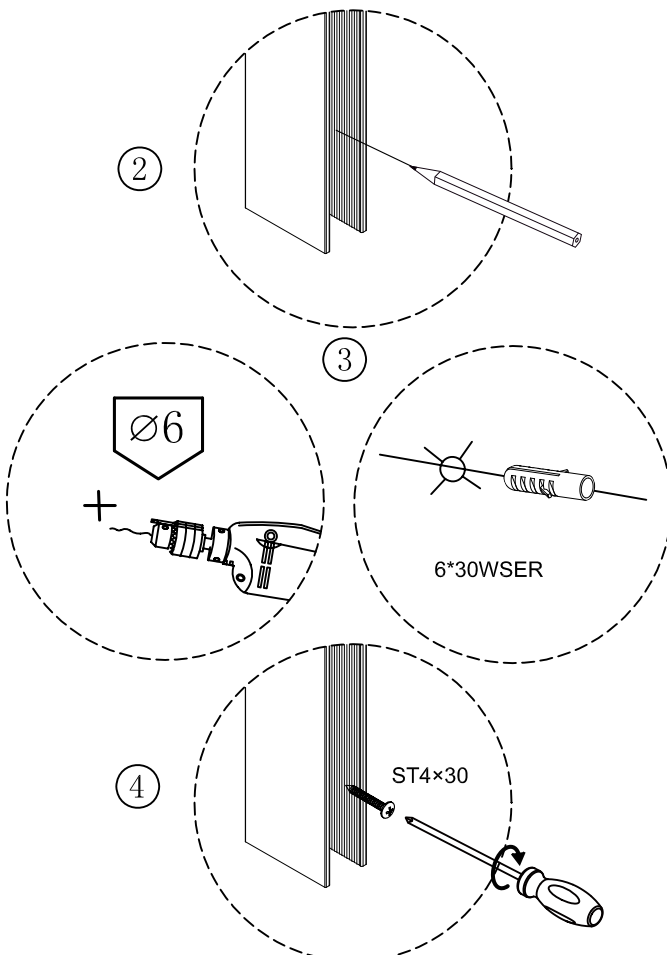
Mark the position for fixing the wall profile to the wall. **IMPORTANT** :Must mark the centre of all slots in wall profile as the extra will be needed for adjustment later on.

Step 3.

Drill hole (**THROUGH THE CENTRE OF THE SLOT**) with 6mm masonry drill bit and insert the wall plugs **A03S0090**.

Step 4.

Fix the wall profile to the wall through the centre of the slot with screws **A03S0089**.



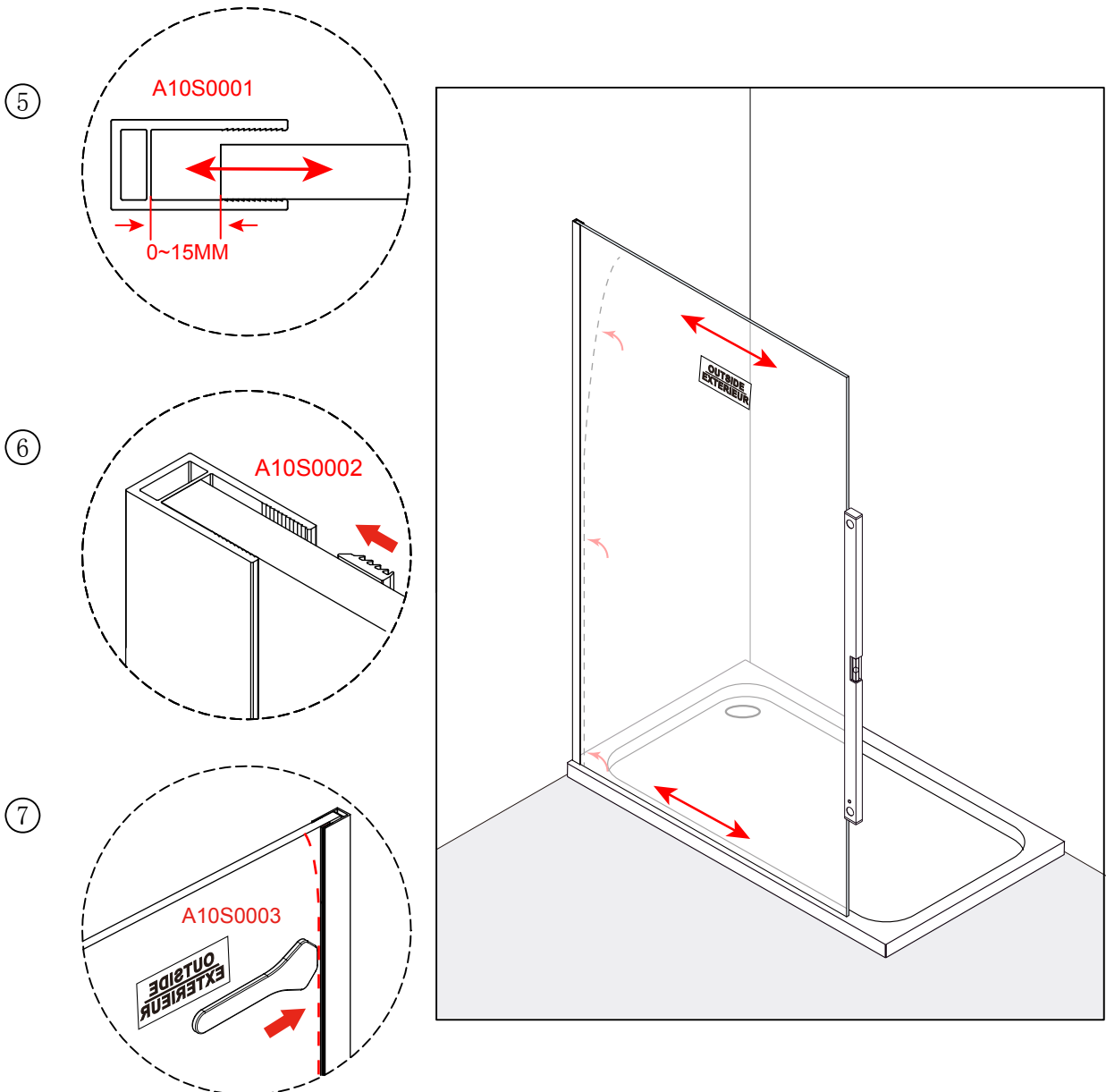
Note: Position the glass panel on the shower base; be careful not to damage the shower base when installing the panel.

Step 5.

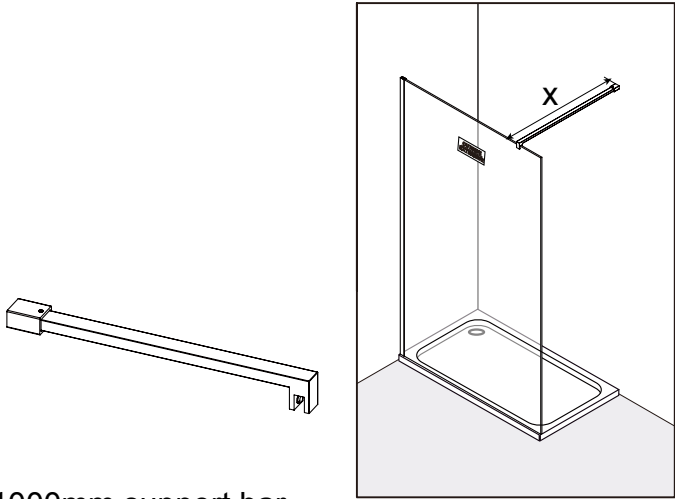
When fitting the glass panel, angle the panel slightly so that the bottom of the fixed panel fits into the wall profile first. The panel can then be allowed to level until it is in its final resting position.

Step 6 & Step 7.

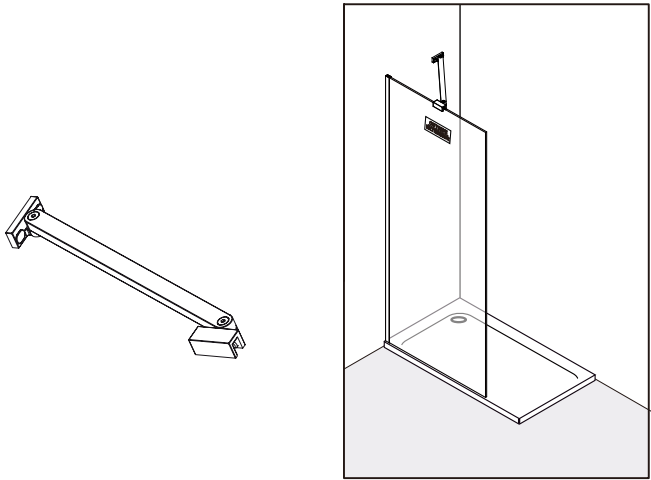
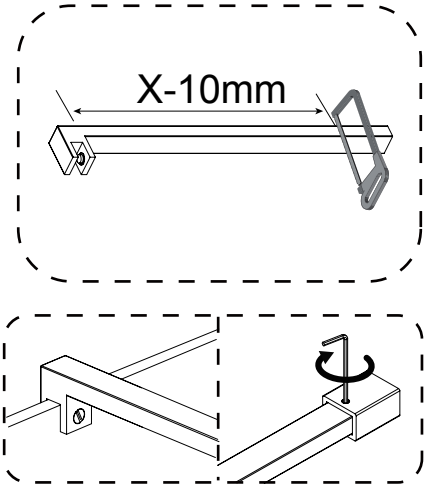
After the fixed panel glass is in its final position, press the seal into the wall profile, securing from bottom to top using the A10S0003 tool in your fixing kit.



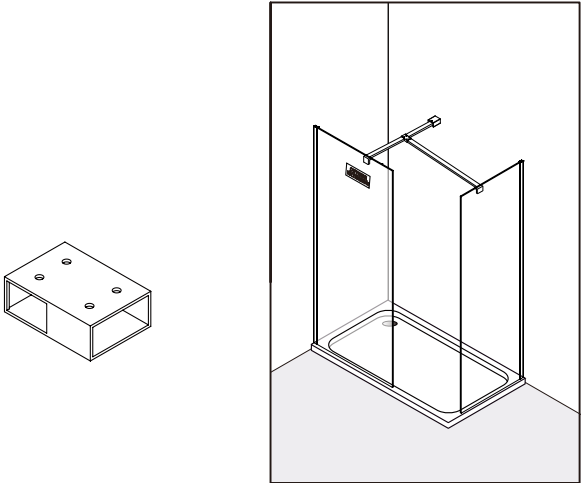
Please see the additional bracing bar options that can be used with your series 10 shower wall. The 1000mm support bar come as standard all other should be ordered seperately.



1000mm support bar



350mm angled bracing bar



T-piece connector for end panel support bar

Step 12.

Use a quality silicone sealant and applicator gun to seal the finished door.

SEALING INSIDE

Seal top to bottom on the **INSIDE** between the wall profile and the wall.

Note: do not apply sealant on the inside of the tray

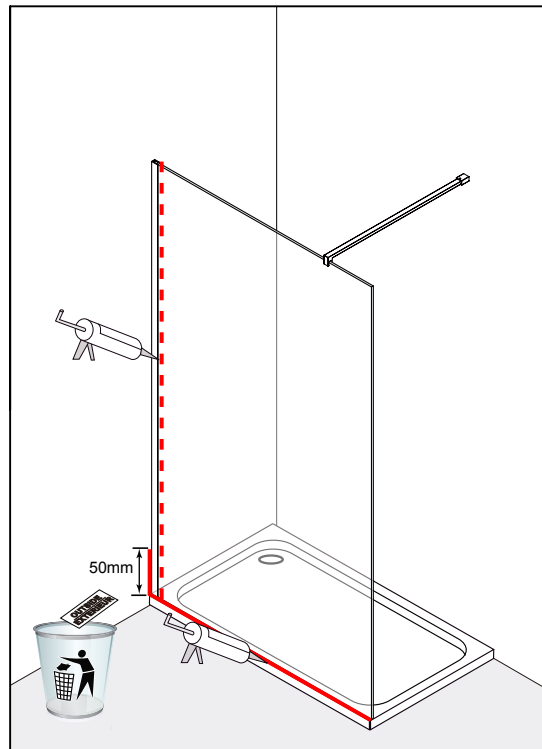
SEALING OUTSIDE

Seal only along bottom on the **OUTSIDE** between glass/rail/profile and the tray and approx 50mm up between the wall profile and the wall.

24 HRS



DO NOT use the enclosure for 24 hrs after sealing.



TROUBLE SHOOTING GUIDE

DOOR NOT ALIGNING

1. Is the tray 100% level? (see page 3)
2. Have the walls been checked at different levels to ensure consistency?
3. Are the wall profiles stepped in the recommended 20mm?(see step 1)
4. Do the finished tile measurements on the tray comply with the adjustment listed on the label and in the specifications book?

SERIES10 10MM SHOWER WALL

WE ARE SURE YOU WILL BE PLEASED WITH YOUR NEW MERLYN SHOWER DOOR.

Where a shower door has been installed contrary to these instructions, Merlyn cannot accept responsibility for any loss or damage, however caused, and any on-site service may incur a charge.

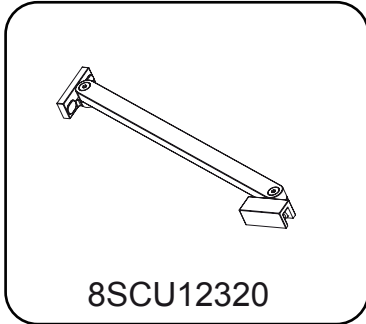
www.merlynbathrooms.com

FAILURE TO FOLLOW THE INSTRUCTIONS CORRECTLY MAY INVALIDATE YOUR GUARANTEE

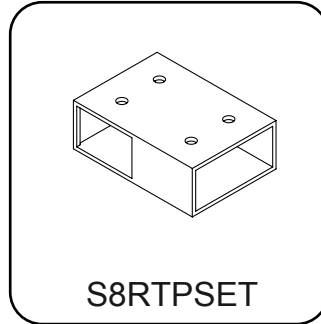
THE FOLLOWING PARTS CAN BE USED WITH YOUR SHOWER WALL

ADDITIONAL EXTRAS

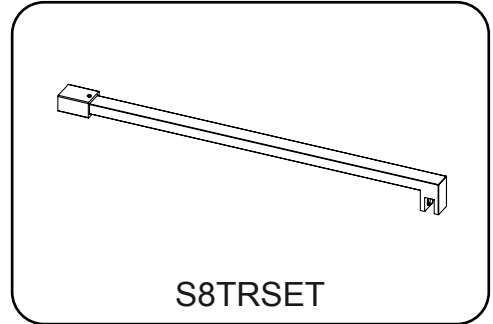
350MM ANGLED BAR



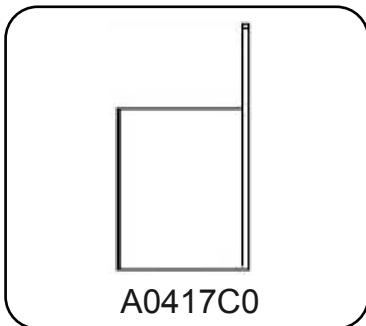
SUPPORT BAR T-PIECE



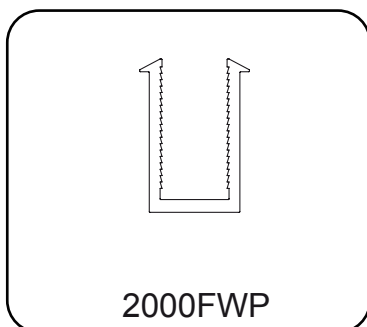
ADDITIONAL SUPPORT BAR



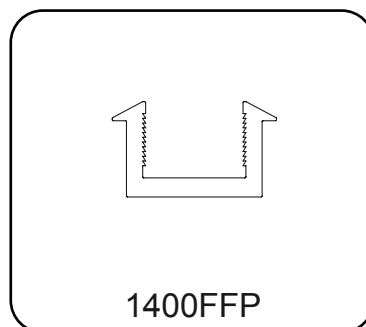
3M CEILING POST



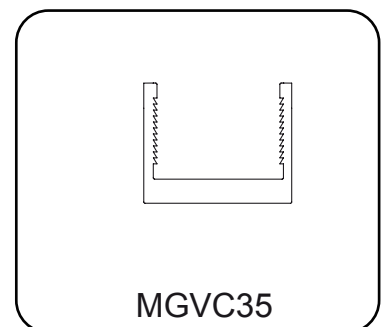
FLUSH WALL PROFILE



FLUSH FLOOR PROFILE



STANDARD U PROFILE



NOTE: IF YOU REQUIRE ANY ADDITIONAL INFORMATION ON THE FITTING OR ORDERING OF THE ABOVE OPTIONS PLEASE CONTACT THE MERLYN CUSTOMER SERVICES DEPARTMENT ON (IRE)0567791555 (UK)08081011429.