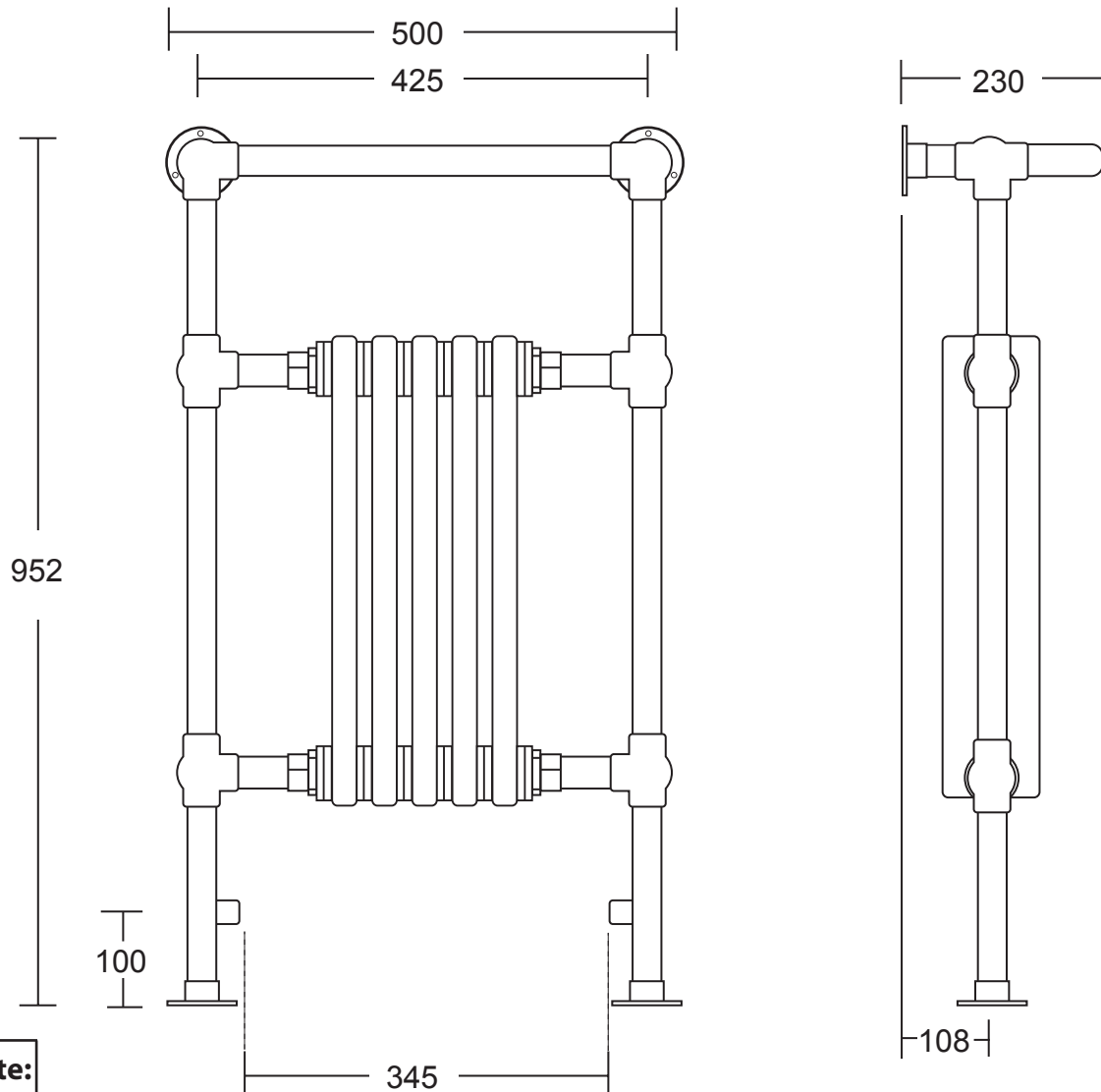


## Radiators, Towel Warmers & Shelves

Towel Warmers

Malmo 5 Bar Heated Towel Radiator



### Installation Note:

All dimensions are subject to  $\pm 3\text{mm}$  tolerance.

### \*\* NOTE\*\*

Valve centres only apply to Valves supplied by Imperial Bathrooms

### Output 1176 BTU

We recommend that all products are purchased with the assistance of a specialist bathroom retailer and always installed by an experienced installer who is a member of a recognized association. All sizes quoted are nominal: items may vary by plus or minus 3mm against the figures quoted. When planning installations where dimensions are critical, it is essential that the space allowed for individual items is physically checked. Imperial Bathrooms can not be held liable for any costs associated with items not fitting in any given area. The contents of this statement are based on information correct at the time of publication. We reserve the right to make alterations and changes in product characteristics, fixing, packaging, operation etc at any time without notice.

For further information on fitting guidelines, Terms and Conditions and Warrantee details, please refer to the back of the Design Guide or contact Imperial's Customer Service team on 0870 60 61 62 3 or [sales@imperial-bathrooms.co.uk](mailto:sales@imperial-bathrooms.co.uk)