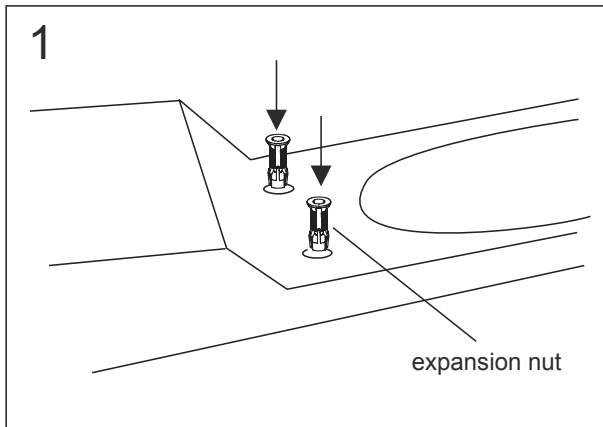
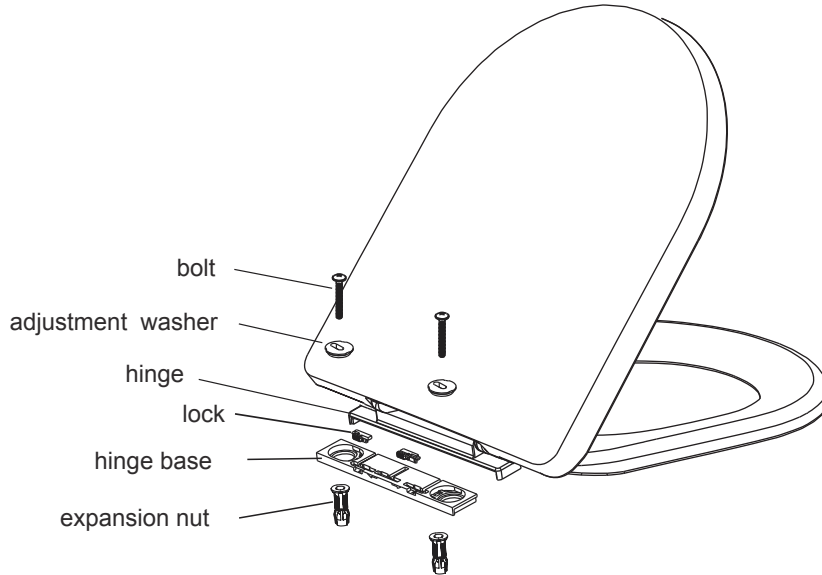
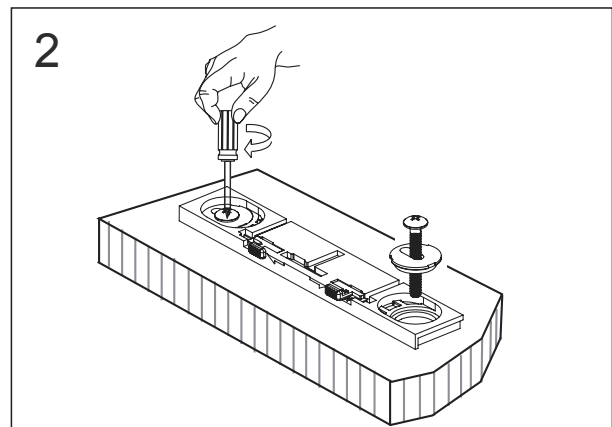


Standard Thermoplast Seat Installation Instructions - PP.1943

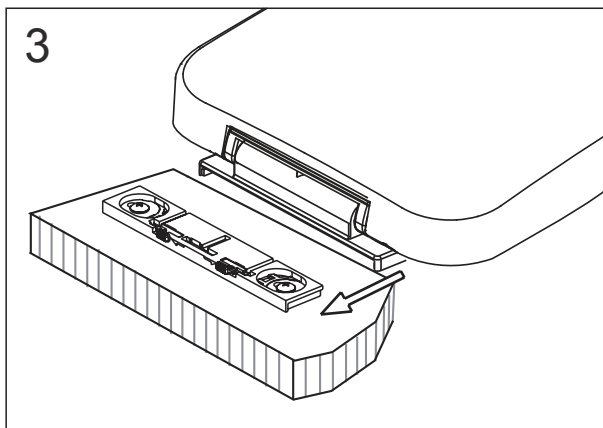
Please read these instructions carefully before installation, and leave with the end user for care and maintenance..



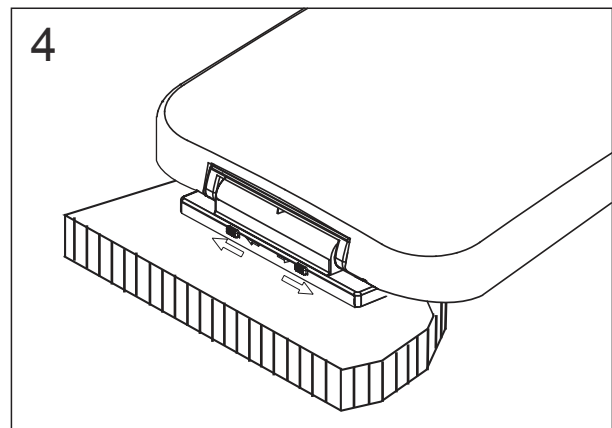
1 Insert expansion nuts into the fixing holes.



2 Fit the hinge base to the pan with the bolts through the adjustment washers, and leave slightly loose to allow for adjustment.



3 Slide seat over hinge base and adjust its position. Remove the seat and tighten the bolts to ensure the hinge base is secure.



4 Re-fit the seat and slide apart the locking catches.

Cleaning: Clean with mild detergent and a soft cloth.

Maintenance: Always ensure the seat is securely fitted to the pan. Inspect regularly for wear and damage as well as for secure fit.