

# INSTALLATION GUIDE

## Pivot and Inline/ Inline side panel



### IMPORTANT

Thank you for choosing Merlyn. Please familiarise yourself with the fitting instructions before commencing fitting.

1. Check that you have the tools required.
2. Check the installation site is compatible with size of door supplied
3. Check all the enclosure components.
4. Check the installation kit is complete

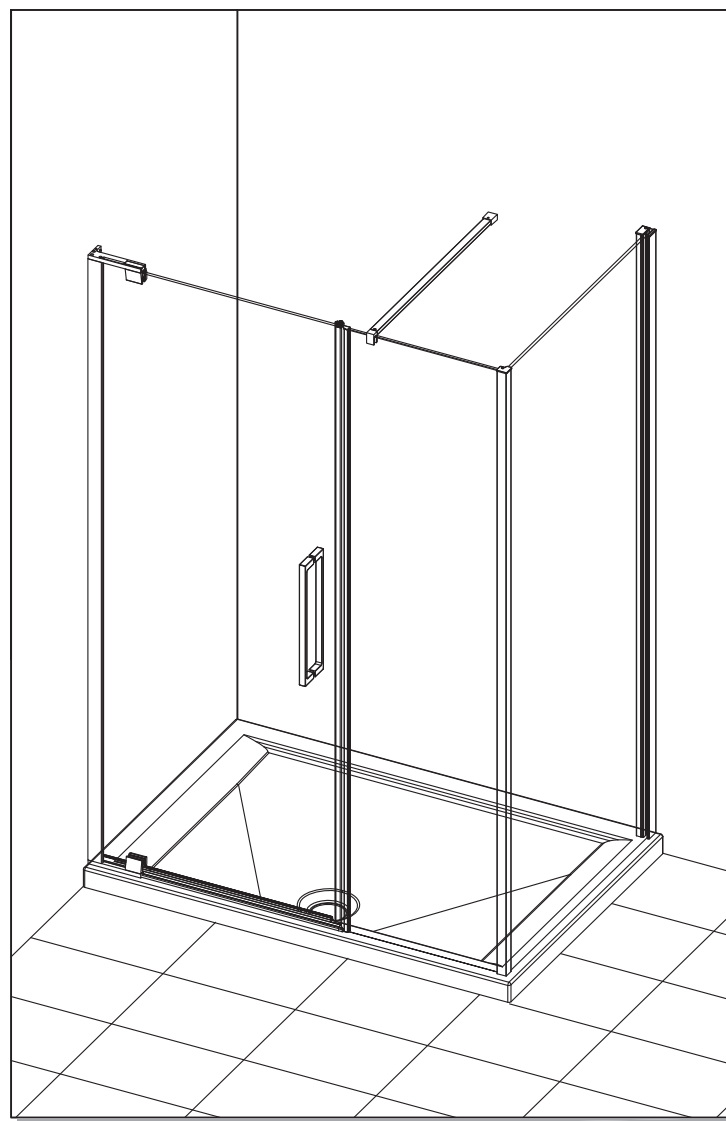
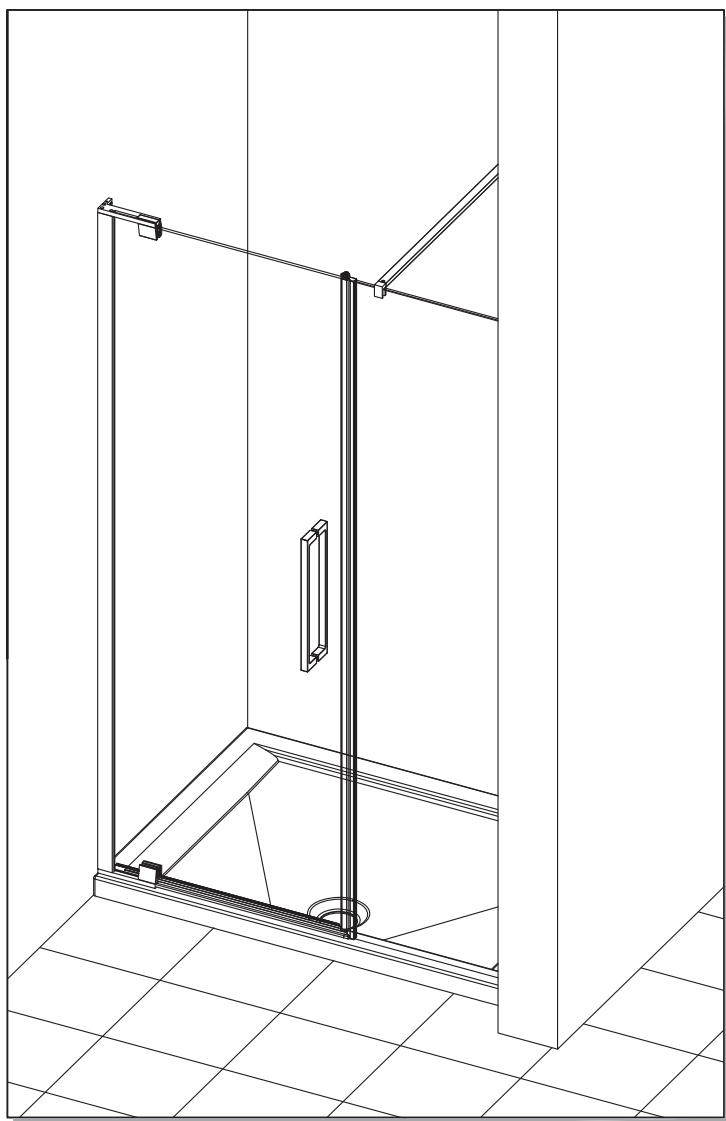
DO NOT attempt to install the product unless you can tick ALL 4 boxes as satisfactory.

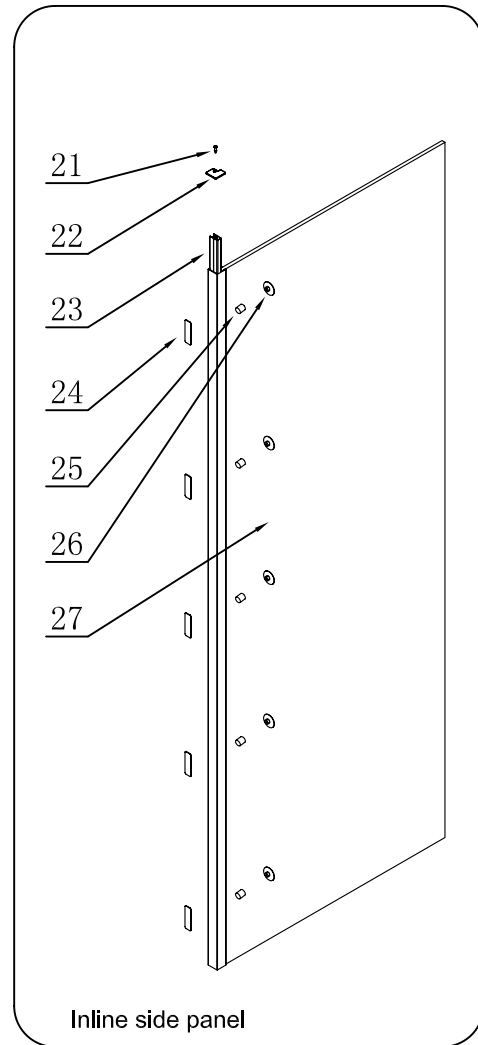
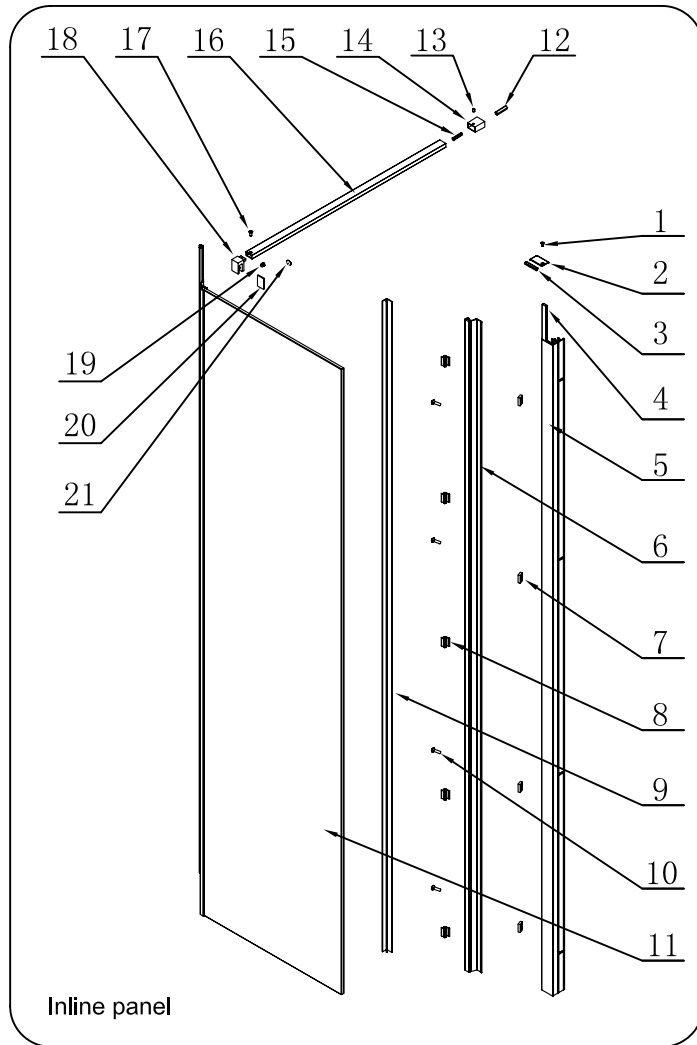
The wall plugs supplied with the installation kit are for use in solid walls. Hollow or 'stud-partition' walls will require alternative fixings. Please consult a hard ware supplier for the correct type.

It may also be necessary to consult your tiling supplier about the correct method for drilling your tiles.

**USE SAFETY EYEWEAR WHEN DRILLING**

Any parts missing or damaged must be reported to your supplier within 5 days of purchase. Inspect shower enclosure before fitting. No claims will be acceptable after product has been installed.





### Inline panel box contents

No.	Description	QTY	Part No.	No.	Description	QTY	Part No.
1	ST4*16 countersunk screw	1	ST4*16G	15	Rail wall fixing screw ST5*40	1	ST5*40CSK
2	wall profile top inner cap(L/R)	1	10S14L/R		Complete rail 1000 - includes 14,15,16,17,18,19,20,21	1	S8TRSET
3	wall profile top outside cap(L/R)	1	10S15L/R	16	Rail	1	S8RA1000
4	Seals in wall profile	2	10S07P2000	17	Rail bracket screw	1	ST48G
	Wall profile complete 10mm 2000 - includes 4,5,6,7,8,9,10	1	10SWSPSET	18	Rail glass bracket	1	S8RAGBR
5	Pivot wall profile - outer	1	10S01AP2000	19	Rail glass bracket grubscrew	1	M8*6GNLT
6	Pivot wall profile - inner	1	10S02AP2000	20	Rail bracket washer	1	S8GBWSER
7	M5 square nut	4	10S22	21	Screw cover cap for top rail	1	10SP30
8	Nylon clip	5	10S27				
9	Pivot wall profile cover strip	1	10S03AP2000				
10	Wall profile clamping screw	4	M5*16R				
11	Inline panel	1	B				
12	Wall plug 7*36	1	ST4 7*36PLUG				
13	Wall bracket grubscrew	1	M5*10HHCS				
14	Wall bracket	1	S8RAWBR				

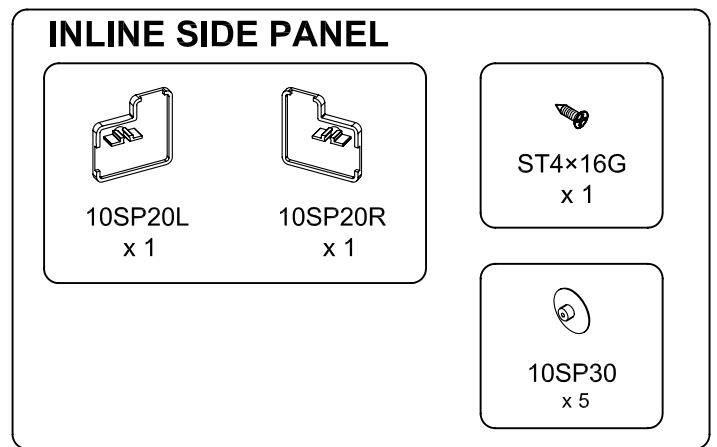
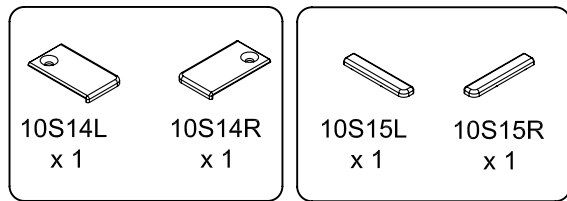
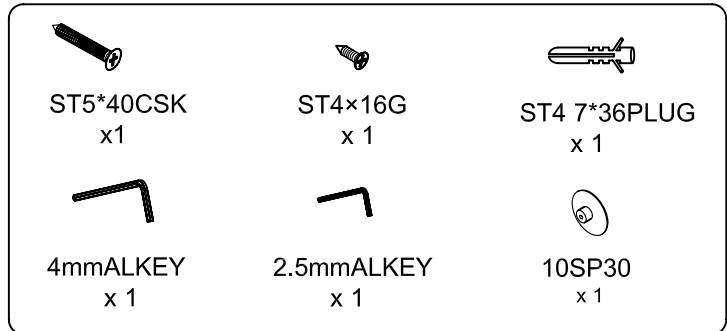
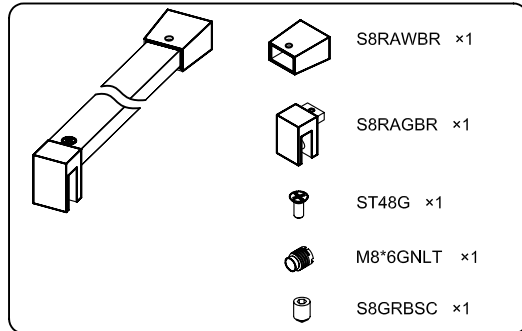
### Inline side panel box contents

21	Cover cap fixing screw	1	ST4*16G
22	Coner post top cover cap(L/R)	1	10SP20
23	clamping seal (fited into the corner post)	1	10SP23
24	Clamping seal washer	5	10SP10
25	M8*6 hex head screw	5	M8*6HHSC
26	Screw cover cap for corner post	5	10SP30
27	Inline side panel	1	A

**Note: Further part details for fixing kit available on page 2**

**Fixing Kit Components**

**INLINE PANEL**



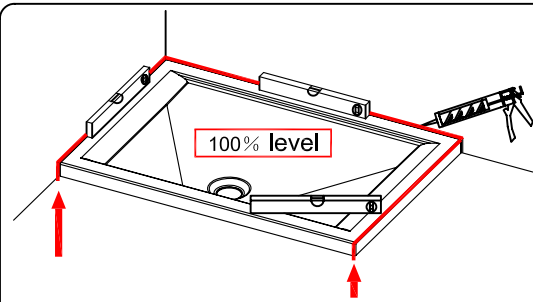
**Tools Required**

- 6mm and 7mm masonry drill bit
- Power drill
- Quality Silicone
- Pencil
- Tape Measure
- Phillips Head screw driver
- Spirit level with horizontal and vertical level indicators

**IMPORTANT - Installation site**

1. Ensure the top surface of the shower tray on which the enclosure will be installed is level in every direction.
2. The tiles or other wall finishing should be effectively sealed at tray edges.
3. Tiles should extend at least to the corner of the tray and a minimum of 2.1 meters from top of the tray.

## PROCEDURE



### TRAY MUST BE 100% LEVEL IN ALL DIRECTIONS

Ensure the shower tray is level in all directions and is properly sealed to the wall. The wall must be tiled down to the top edge of the tray. **Do not angle out bottom tile.**

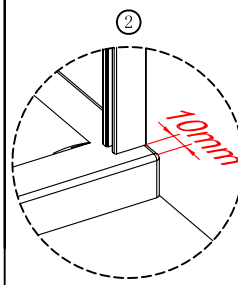
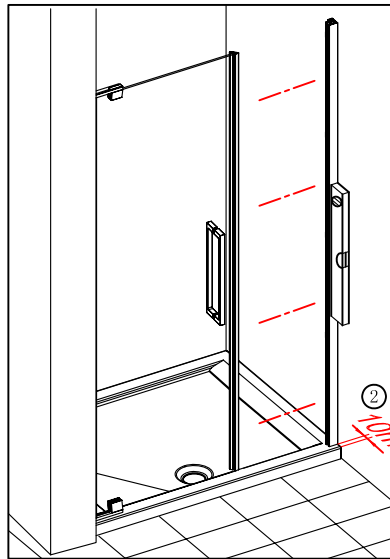
### TRAY MUST BE SEALED FULLY AROUND WHERE THE TRAY MEETS THE WALL.

#### Step 1.

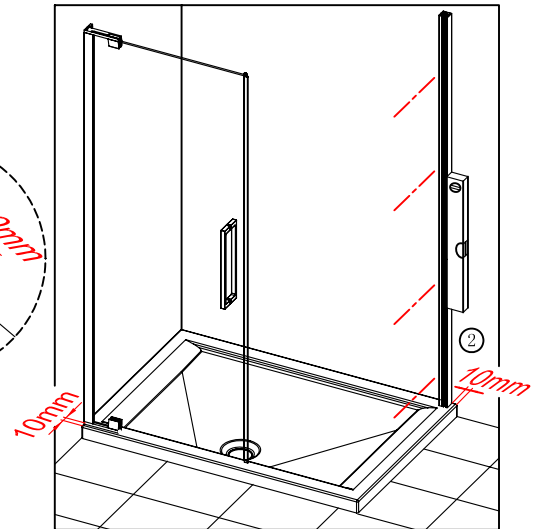
Please refer to Step 1 – 6 in the Pivot Door instruction **BUT** instead of a 20mm step in – **USE A 10mm STEP IN TO THE WALL PROFILES!**

#### Step 2.

Step the side panel / inline panel wall profile **10SWSPSET** in 10mm from the front edge of the shower tray.



OR



#### Step 3.

Ensure the wall profile is plumb. Mark the position for fixing the wall profile to the wall. **IMPORTANT** – Must mark the centre of all slots in the wall profile as the extra will be needed for adjustment later on.

#### Step 4.

Drill hole (**THROUGH THE CENTRE OF THE SLOTS**) with 6mm masonry drill bit and insert wall plugs **6\*30WSER**.

#### Step 5.

Fix the wall profile to the wall through the centre of the slots with screws **ST4\*30B**.

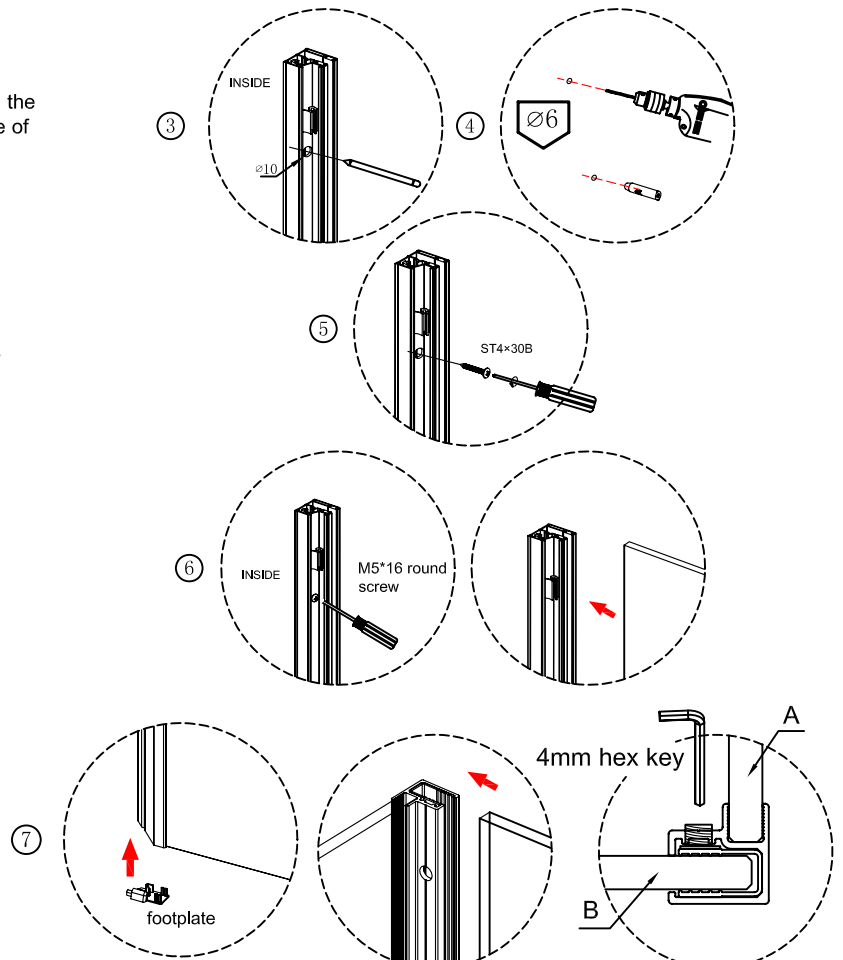
#### Step 6.

**GO DIRECTLY TO STEP 7 IF FITTING DOOR AND INLINE IN A RECESS ONLY.** Insert the Inline side panel into the wall profile.

#### Step 7.

Fit the footplate **10SP17NL/R** to the bottom of the inline panel and insert into the wall profile / side panel corner post. (If fitting with side panel you may need to loosen the hex head screw **M8\*6HHSC** in the corner post using a 4mm hex key - then insert inline panel completely into the corner post.

**- IMPORTANT: DO NOT OVERTIGHTEN)**





**Step 8.**

Insert one end of the Luna rail **10SWK28785** fully into the bottom pivot bracket. Insert the other end to the inline panel footplate.

**Step 9.**

Position the glass spacer over the luna rail near the magnetic strip and close the door so it rests on top. The spacer allows for the glass to be adjusted in the pivot block. **Tip** – May need to loosen the pivot block hex screws

**M14\*10HHGR** first with the 5mm hex key so door sits on the spacer – hold the door handle when doing this.

**Step 10.**

From the inside, loosen the top and bottom pivot block hex screws using the 5mm hex key. Adjust out the moving panel and side panel until they align correctly. Ensure the luna rail and inline panel/ Inline side panel are parallel to the edge of the tray. Retighten the wall profile clamping screw **M5\*16R** and clip luna rail onto the side panel footplate **10SP16NL/R**.

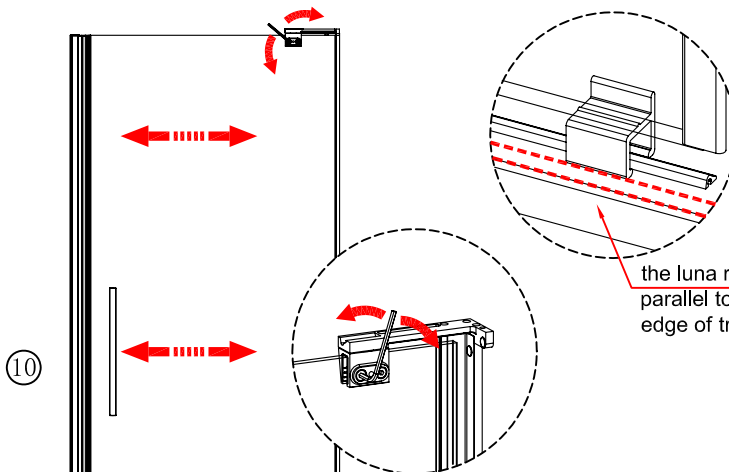
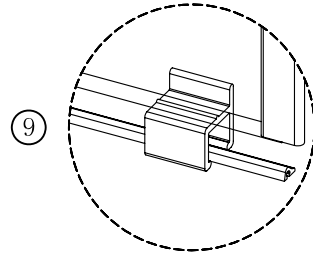
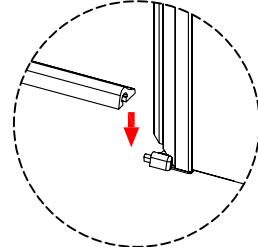
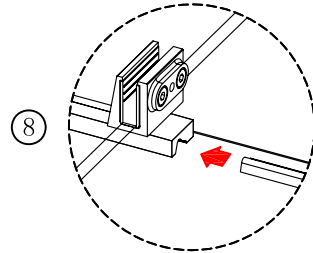
**Step 11.**

The Pivot wall profile and side panel wall profile can be adjusted where fixed to the wall to close any gaps between the magnets. Adjust side panel wall profile first. **NOTE:** The inline panel can be adjusted a maximum 5mm only in the side panel corner post - Do not adjust out anymore (Only when side panel is used).

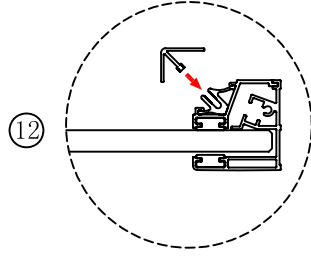
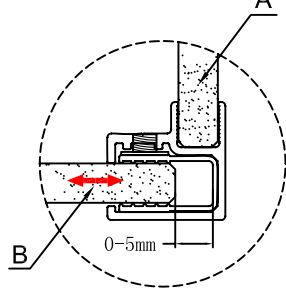
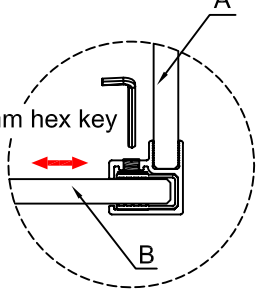
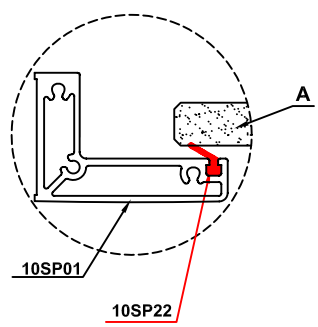
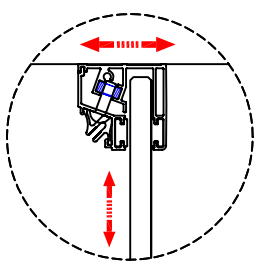
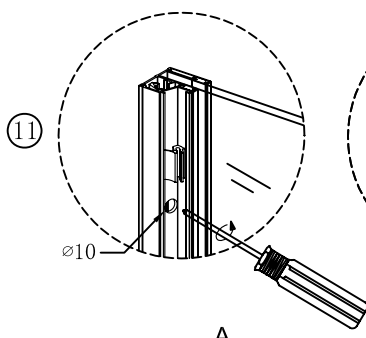
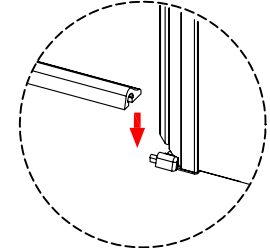
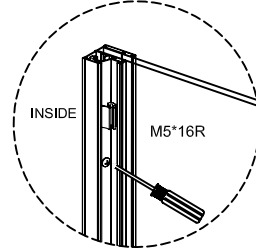
**IMPORTANT:** After adjusting, ensure the back of the door side panel seals against the upright fin on the pivot wall profile.

**Step 12.**

Retighten the pivot block hex screws with the 5mm hex key (**VERY IMPORTANT - DO NOT OVERTIGHTEN**). Fix cover strip **10S03AP2000**.



the luna rail is parallel to the edge of tray



**Step 13.**

Remove the glass spacer.

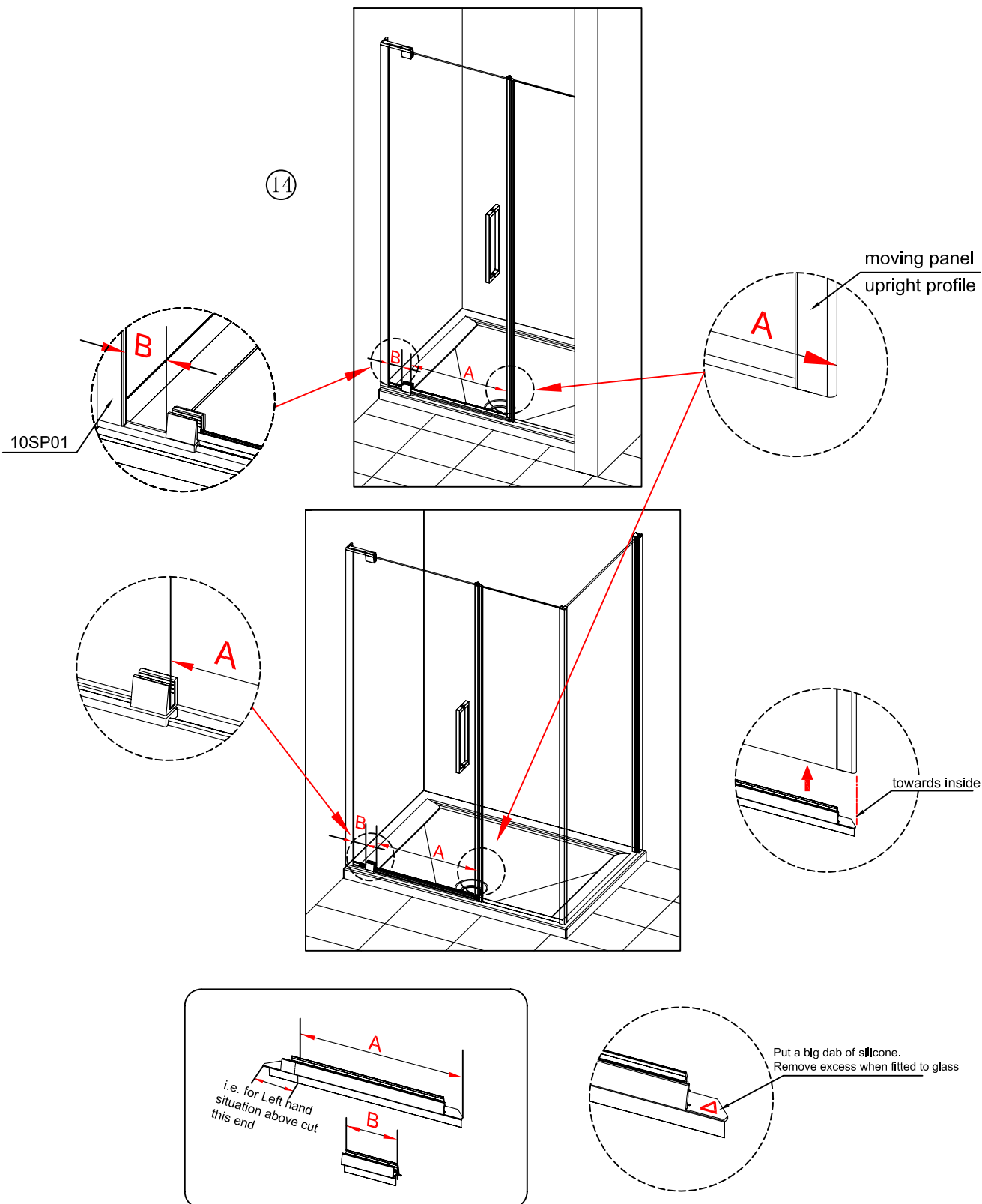
**Step 14.**

To get the correct seal length, on the outside, measure from the outside of the magnetic strip on the moving panel to the edge of the bottom pivot block – Dimension A. Cut the bottom seal to this length – **DO NOT CUT THE SEAL TOO SHORT AND DO NOT CUT THE INCORRECT END (DIE CUT IN THE SEAL GOES UNDER THE MAGNETIC PROFILE ON THE DOOR)** (Dimension A should be to the outside of the magnetic profile not just the glass area!!)

Cut the short seal from the other side of the pivot block to the pivot upright profile – Dimension B.

**NOTE:** Keep the angled deflector fin on the seal towards the inside.

**IMPORTANT** - Put a dab of silicone on the end of the seal where it sits under the magnet.



**Step 15.**

Position the glass bracket **S8RAGBR** onto the side panel ensuring all washers are present.

**Step 16.**

With the wall bracket **S8RAWBR** on the rail, level and mark position for the bracket on the wall.

**NOTE** Ensure the back of the door panel does not hit the rail when being opened.

**Step 17.**

Remove the bracket and mark position for fixing to the wall.

Drill hole with 7mm masonry bit and insert wall plug **ST4 7\*36PLUG**. Fix the wall bracket to the wall with screw **ST5\*40CSK**.

Reposition rail into the wall bracket and onto the side panel. Secure into wall bracket with 2.5mm hex Key. Fix to side panel using screw **M8\*6GNLT** with 4mm hex key and cover the cap **10SP30**. **Note** - Do not over tighten.

**Step 18.**

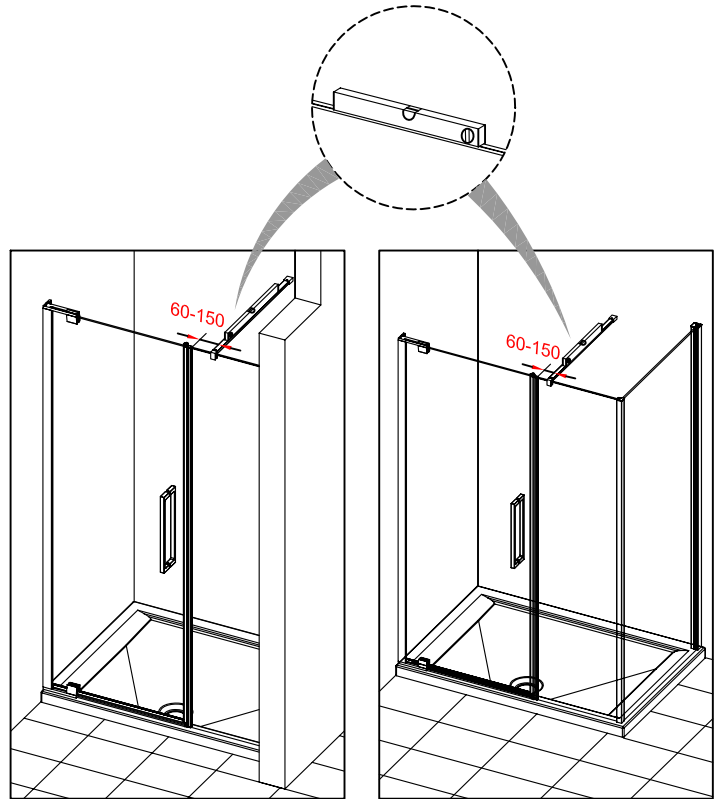
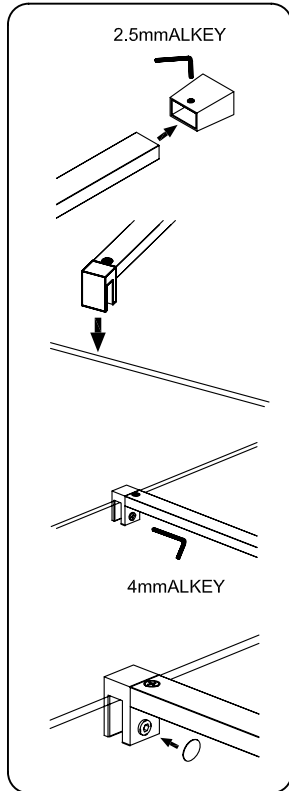
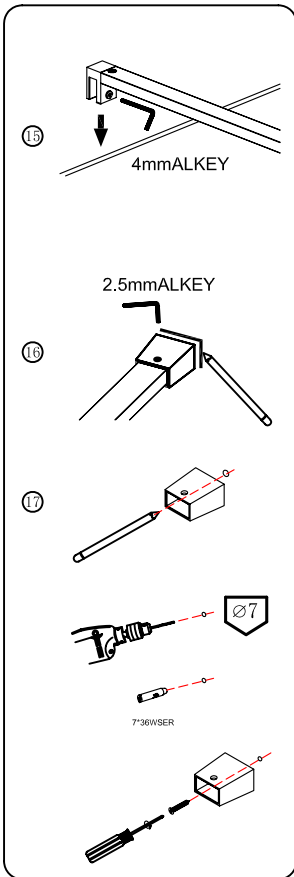
Clip on pivot block cover cap **10SP12** and also all screw cover caps **10SP21** and **10SP29** for the pivot wall profile.

Clip on top pivot bracket cover caps **10SP11**.

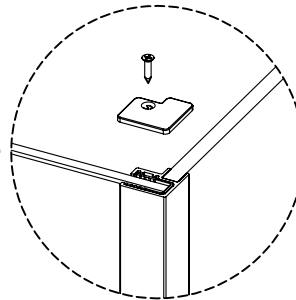
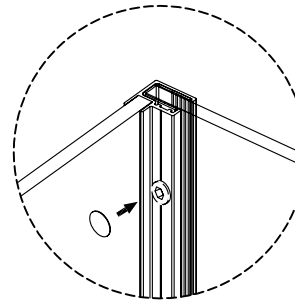
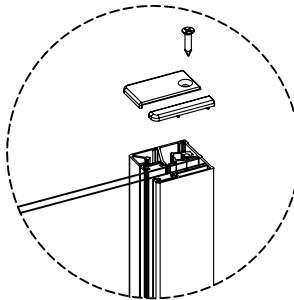
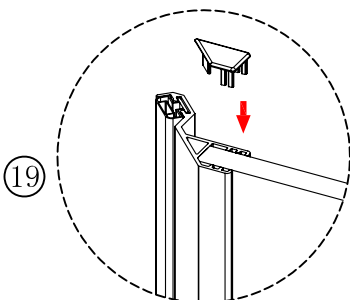
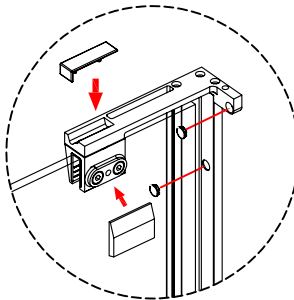
**TIP** – Use a dab of silicone under cover caps to keeps on securely

**Step 19.**

Clip on magnetic upright profile cover caps **10SP18NL/R** and wall profile cover caps **10S14L/R** and **10S15L/R**. Fix the corner post cover caps **10SP20L/R** to the top of the corner post using screw **ST4\*16G** and cover the screw cover cap **10SP30**.



18



19

### Step 20.

Use a quality silicone sealant and applicator gun to seal the finished door.

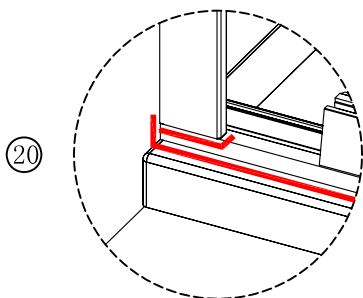
#### SEALING INSIDE

Seal top to bottom on the **INSIDE** between the wall profile and the wall.

**Note:** Do not apply sealant on the inside of the tray.

#### SEALING OUTSIDE

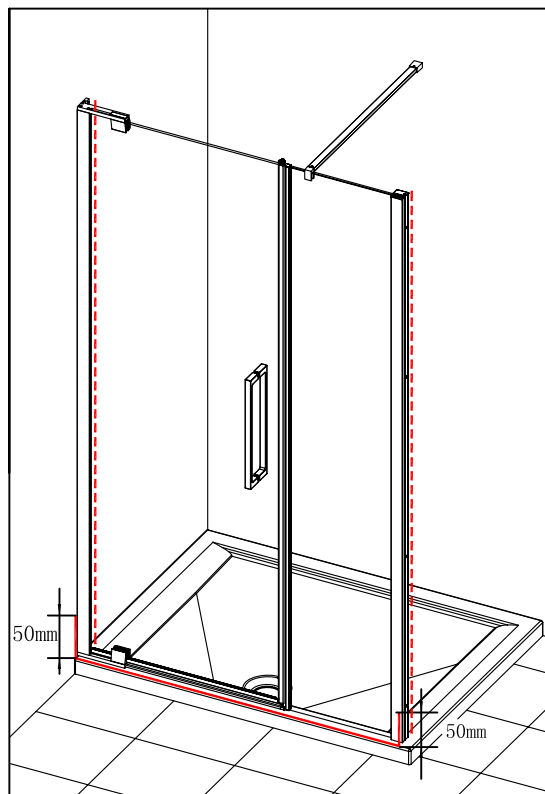
Seal only along bottom on the **OUTSIDE** between the glass/rail/profile and the tray and approx 50mm up between the wall profile and the wall



**24 HRS**



DO NOT use the enclosure for 24 hrs after sealing



## TROUBLE SHOOTING GUIDE

### DOOR NOT ALIGNING

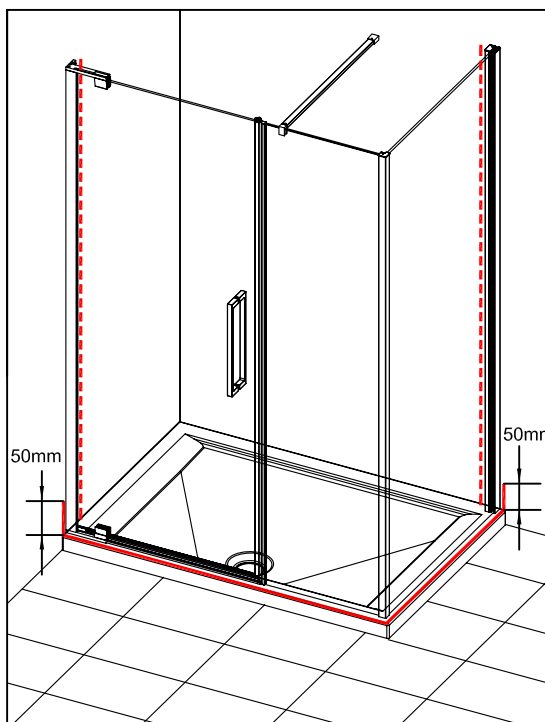
1. Is the tray 100% level. (See page 3)
2. Has the wall been checked at different levels to ensure consistency?
3. Is the wall profile stepped in the correct distance from the edge of the tray? (See step 2)
4. Do the finished measurements on the tray comply with the adjustment listed on the label and in the specifications book?
5. Has the moving panel and side panel been adjusted in or out to ensure door magnets close fully? (See step 10 & 11)
6. Is there an even gap between the luna rail and the seal on the bottom of the door? (See step 9)

### DOOR LEAKING

1. Is the bottom seal fitted on the moving door panel with the deflector to the inside? (See step 14).
2. Is there a dab of silicone on the bottom seal where it is positioned under the magnetic profile on the door panel? (See step 14)
3. Is there a gap between the magnets? (See step 9 & 10)
4. Is the door sealed correctly? (See step 20)
5. Are the TWO bottom seals on the door panel the correct length - Important? (See step 14)
6. Is the back of the door panel creating a seal on the fin on the inside of the pivot upright profile when the door is closed? (See step 11)

### OTHERS

1. Door is catching on the luna rail when being opened and closed (See step 9)
2. Inline panel moving when door closes – is the rail fixed correctly in the wall bracket and to the glass? (See page 6)
3. Inline panel moving on the tray when the door is closed – is the panel correctly sealed to the tray? (See step 18)



## SERIES 10 PIVOT AND INLINE/ INLINE SIDE PANEL

WE ARE SURE YOU WILL BE PLEASED WITH YOUR NEW MERLYN SHOWER DOOR.

Where a shower door has been installed contrary to these instructions, Merlyn cannot accept responsibility for any loss or damage, however caused, and any on-site service may incur a charge.

[www.merlynbathrooms.com](http://www.merlynbathrooms.com)

FAILURE TO FOLLOW THE INSTRUCTIONS CORRECTLY MAY INVALIDATE YOUR GUARANTEE