

IMPORTANT

Thank you for choosing Merlyn. Please familiarise yourself with the fitting instructions before commencing fitting.

- 1. Check that you have the tools required.
- 2. Check the installation site is compatible with size of door supplied
- 3. Check all the enclosure components.
- 4. Check the installation kit is complete

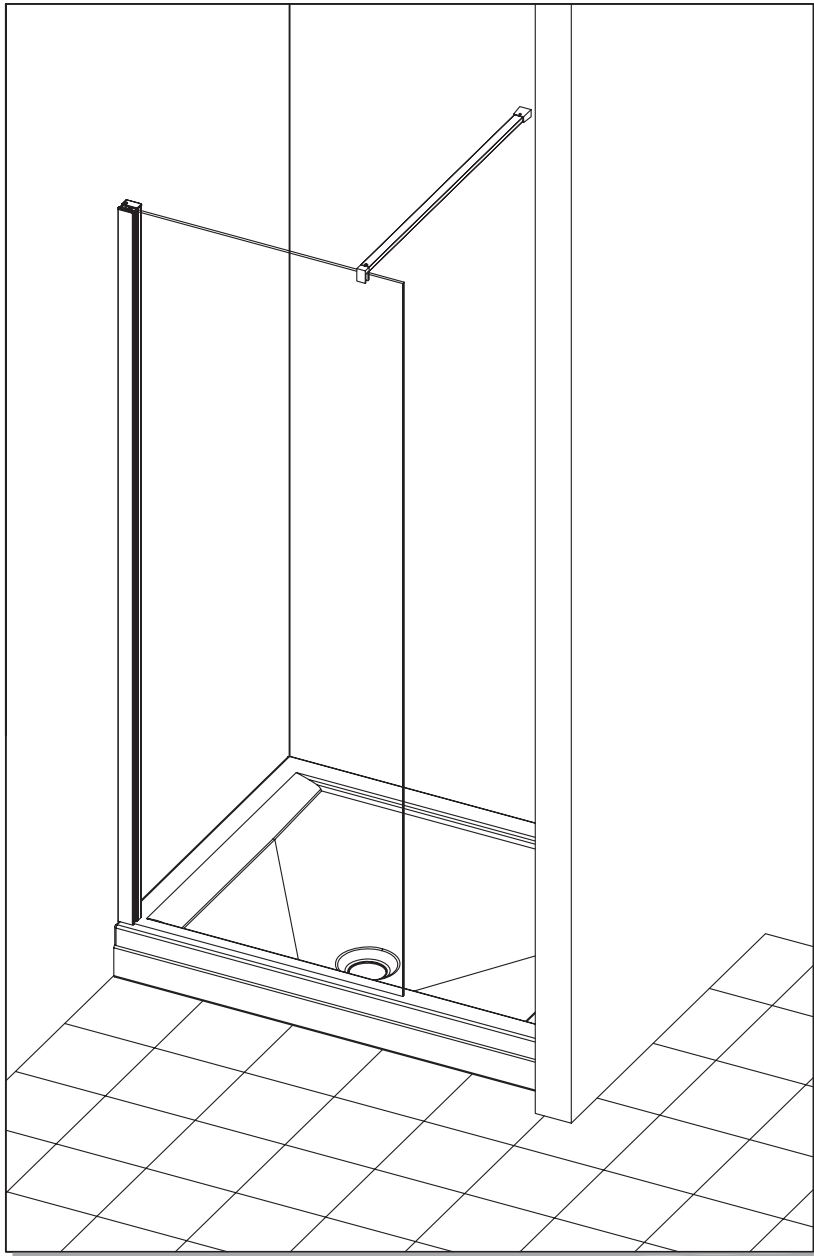
DO NOT attempt to install the product unless you can tick ALL 4 boxes as satisfactory.

The wall plugs supplied with the installation kit are for use in solid walls. Hollow or 'stud-partition' walls will require alternative fixings. Please consult a hard ware supplier for the correct type.

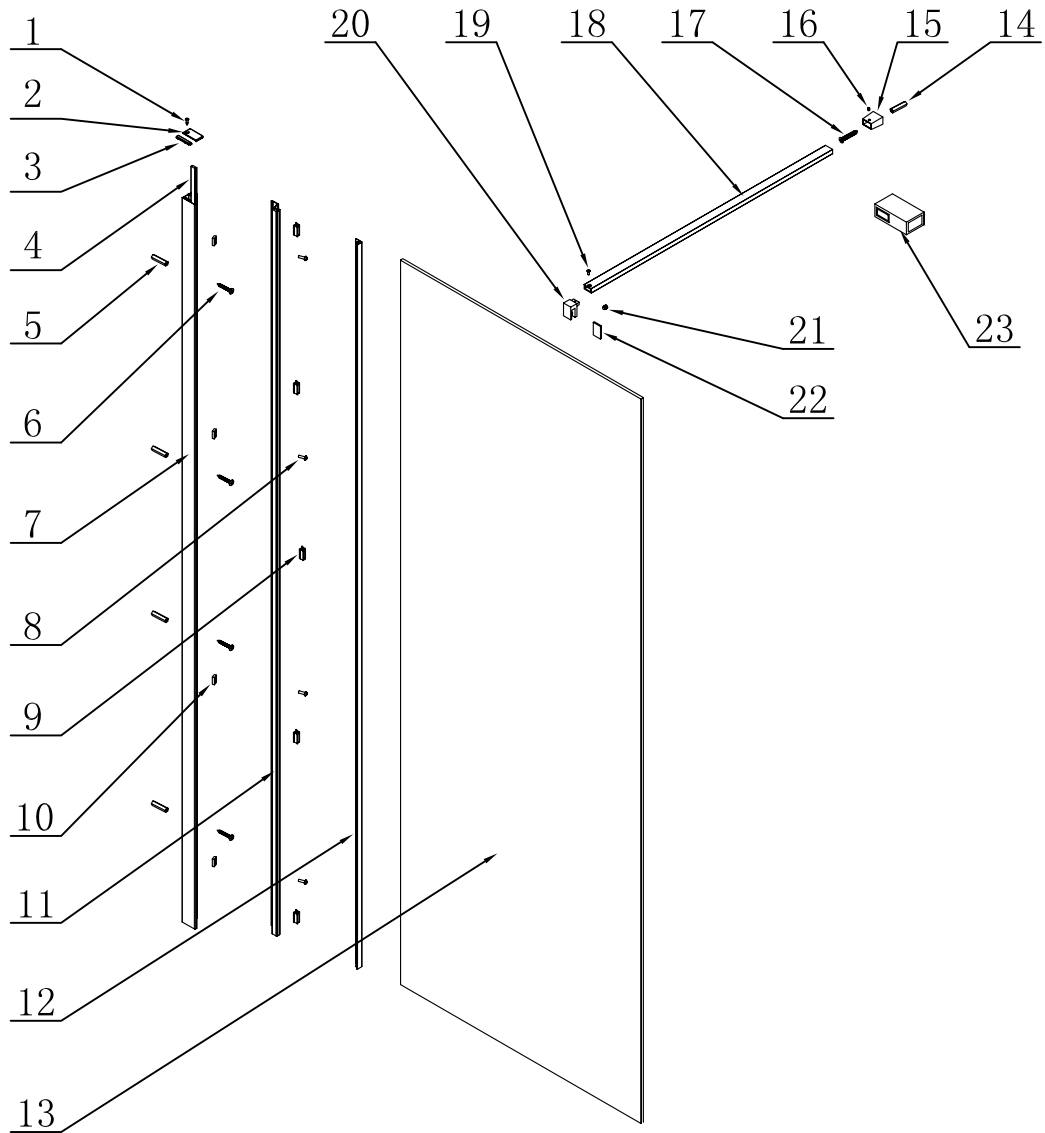
It may also be necessary to consult your tiling supplier about the correct method for drilling your tiles.

USE SAFETY EYEWEAR WHEN DRILLING

Any parts missing or damaged must be reported to your supplier within 5 days of purchase. Inspect shower enclosure before fitting as no claims will be acceptable after product has been installed.



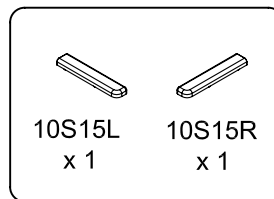
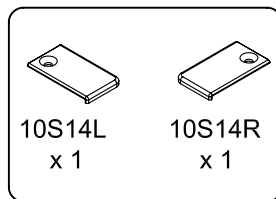
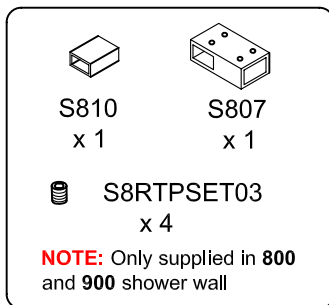
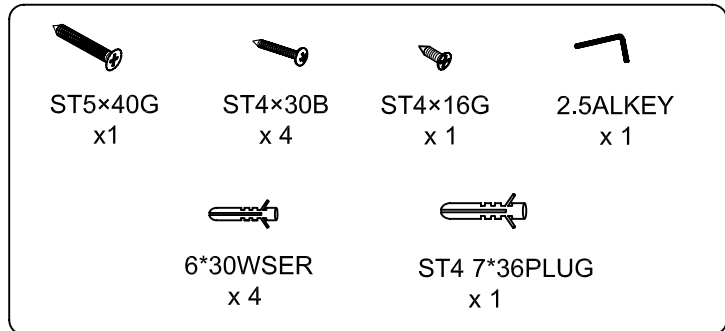
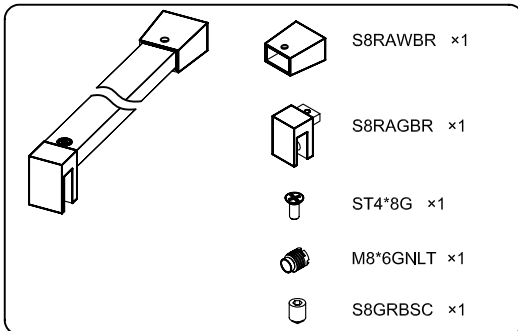
COMPONENTS AND BOX CONTENTS



No.	Description	QTY	Part No.	No.	Description	QTY	Part No.
1	Cover cap fixing screw ST4*16	1	ST4*16G	13	Flat glass	1	A
2	Wall profile inside cover cap L/R	1	10S14L/R	14	Top rail wall plug 7*36	1	ST4 7*36PLUG
3	Wall profile outside cover cap L/R	1	10S15L/R	15	Complete rail 1000 - includes 14,15,16,17,18,19,20,21,22	1	S8TRSET
	Wall profile complete 8mm 2000 - includes 4,7,8,9,10,11,12	1	10SWPSET20008				
4	Seal in wall profile	2	S1007P2000	16	Grub screws for wall bracket M5*4	1	S8GRBSC
5	Standard wall plug 6*30	4	6*30WSER	17	Rail wall bracket fixing screw ST5*40	1	ST5*40G
6	Wall fixing screw ST4*30	4	ST4*30B	18	Top rail F12-23	1	S8RA1000
7	Wall profile - Main section(10mm)	1	S1001AP2000	19	Rail to rail glass bracket screw M4*8	1	ST48G
8	Clamping screw M5*16	4	M5*16R	20	Rail glass bracket	1	S8RAGBR
9	Nylon clip - wall profile	5	10S27	21	Glass bracket - glass fixing screw M8*6	1	M8*6GNLT
10	Clamping block for wall profile	4	10S22	22	Glass bracket washer	2	S8GBWSER
11	Wall profile - Inside section (10mm)	1	S1002AP2000	23	Rail connector bracket	1	S8RTPSET
12	Trim strip - 2000mm	1	S1003AP2000				

Note: Further part details for fixing kit available on page 2

Fixing Kit components



Tools required

- 6mm & 7mm Masonry drill bit
- Power drill
- Quality silicone
- Pencil
- Tape Measure
- #2 Philips Head screw driver
- Spirit level with horizontal and vertical level indicators

IMPORTANT - Installation site

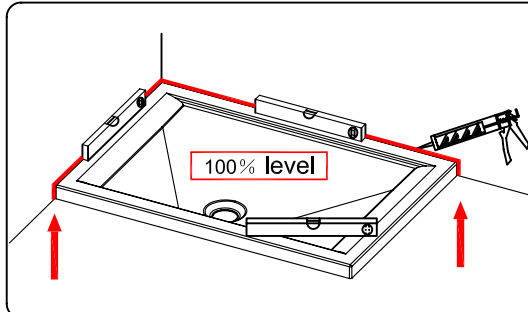
1. Ensure the top surface shower tray on which the panel will be installed is level in every direction.
2. The tiling or other finishing should be effectively sealed at the tray edges.
3. Tiles should extend at least to the corners of the tray and a minimum of 2.1 meters from the top of the tray / floor.

PROCEDURE

CAN BE FITTED ON TRAY OR IN WETROOM SITUATION

Wetroom option: Floor must be 100% level where panel is positioned.

Tray option:



TRAY MUST BE LEVEL IN ALL DIRECTIONS!

Ensure the shower tray is level in all directions and is properly sealed to the wall. The wall must be tiled down to the top edge of the tray. **Do not angle out bottom line.**

TRAY MUST BE SEALED FULLY AROUND WHERE THE TRAY MEETS THE WALL.

Step 1.

Position the wall profile so the max distance from inside of glass panel to back wall = 1000mm. Ensure wall profile is Plumb.

Note: Ensure back wall where rail is connected to is not leaning back – if so reduce distance from panel to back wall.

Step 2.

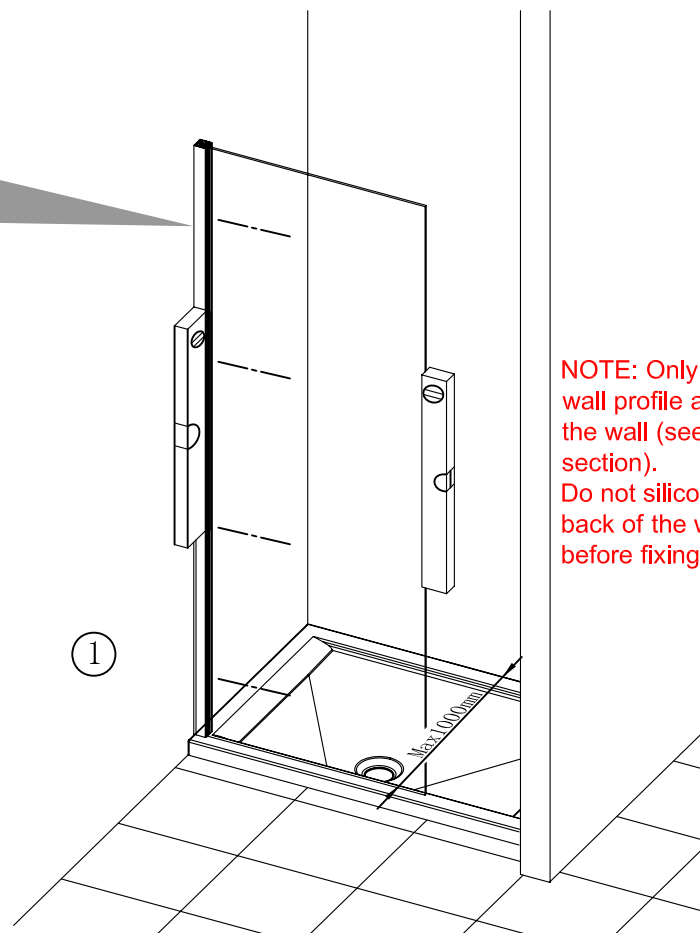
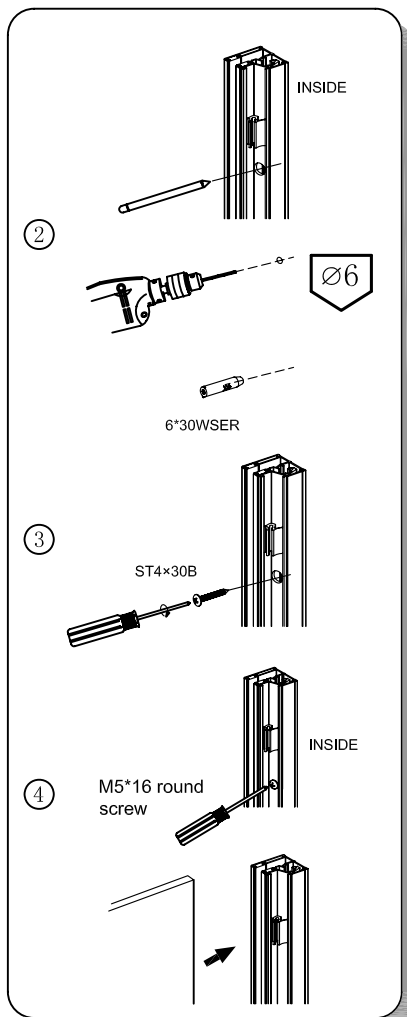
Mark the position for fixing the wall profile to the wall. Drill hole with 6mm masonry drill bit and insert the wall plugs **6*30WSER.**

Step 3.

Fix wall profile to the wall using wall fixing screw **ST4X30B.**

Step 4.

Loosen clamping screw **M5*16R** (do not remove) on the wall profiles, Insert the glass panel fully into the wall profile.



NOTE: Only silicone the wall profile after fixing to the wall (see sealing section). Do not silicone on the back of the wall profile before fixing to the wall.

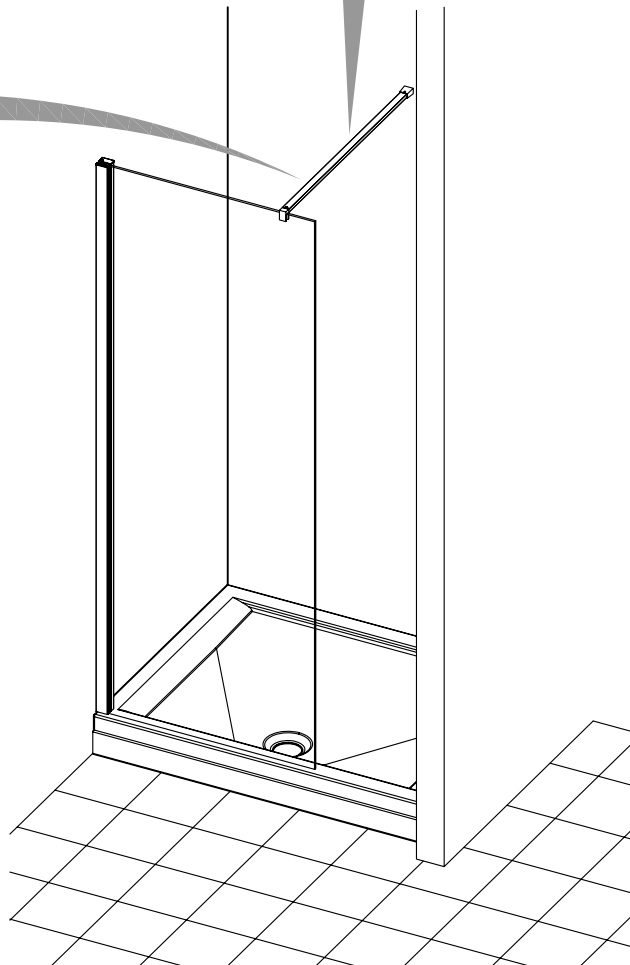
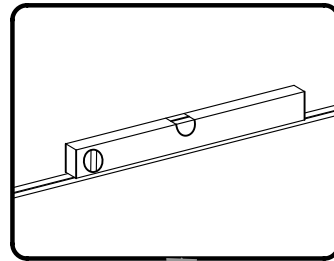
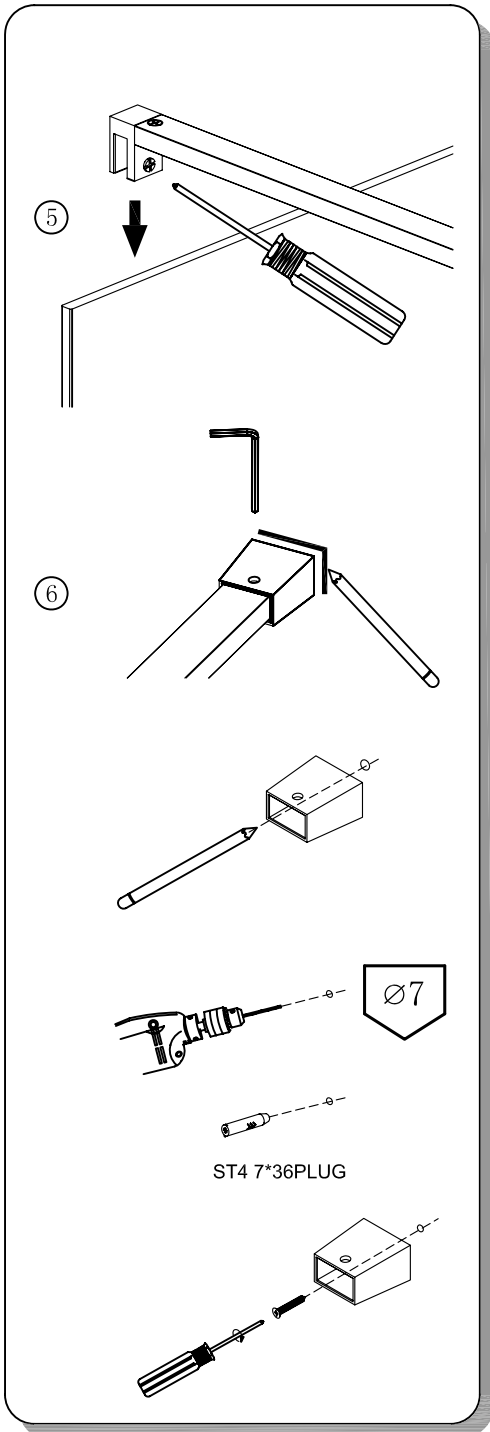
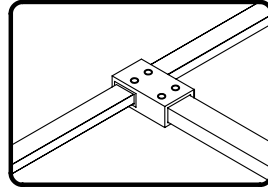
Step 5.

Loosen screws **M8*6GNLT** on rail glass bracket **S8RAGBR**, put the rail glass bracket to the top right corner of glass panel.

Step 6.

Loosen screw **S8GRBSC** from the wall bracket. Put the wall bracket against the wall, adjust the top rail to make it level. Mark hole's position on the wall, drill a hole with 7mm masonry bit and put in the wall plug **ST4 7*36PLUG**. Fix the wall bracket to wall using **ST5*40G** screw.

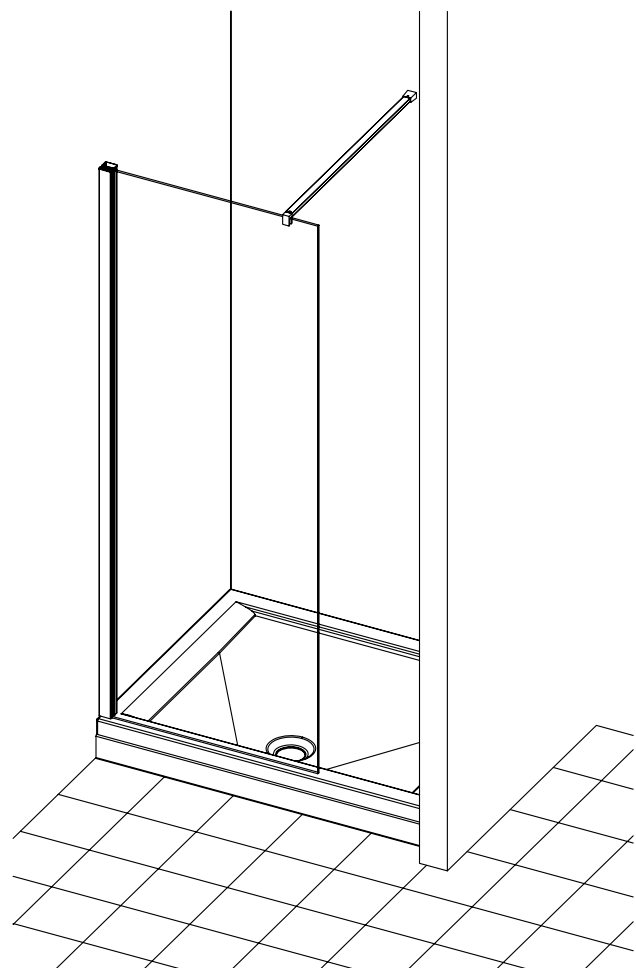
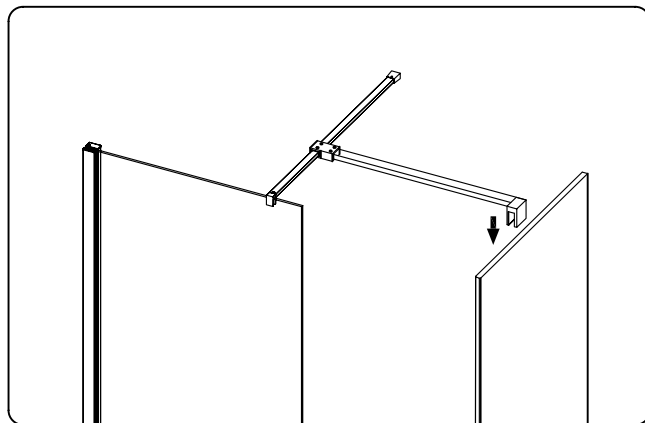
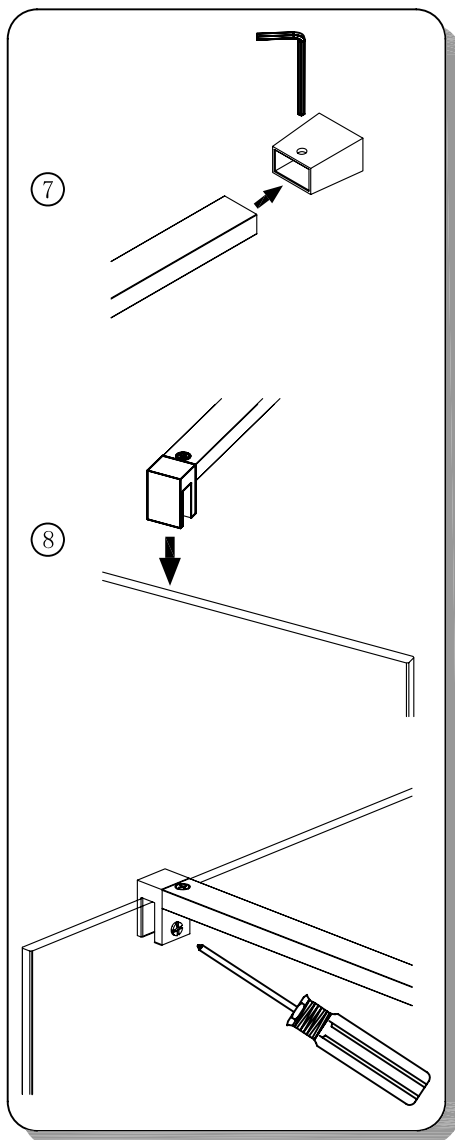
NOTE: If fitting with end panel, ensure rail connector bracket **S8RTPSET** is slotted onto rail before fitting.



Step 7.
Slot rail into wall bracket.

Step 8.
Slot rail onto glass and tighten screw **M8*6GNLT**. Fix rail to wall bracket with screw **S8GRBSC**

Step 9. (Only if fitting end panel.)
Repeat step 1-5. Assemble rail onto glass and cut rail length to ensure it fits into rail connector bracket as per note on Page 4.



Step 10.

Tighten all clamping screws **M5*16R** on the wall profile. Push in trim strip **S1003AP2000**.

Step 11.

Insert outer wall profile cover cap (use a dab of silicone underneath to hold) and fix inside cover caps with screw **ST4x16G**.

Step 12.

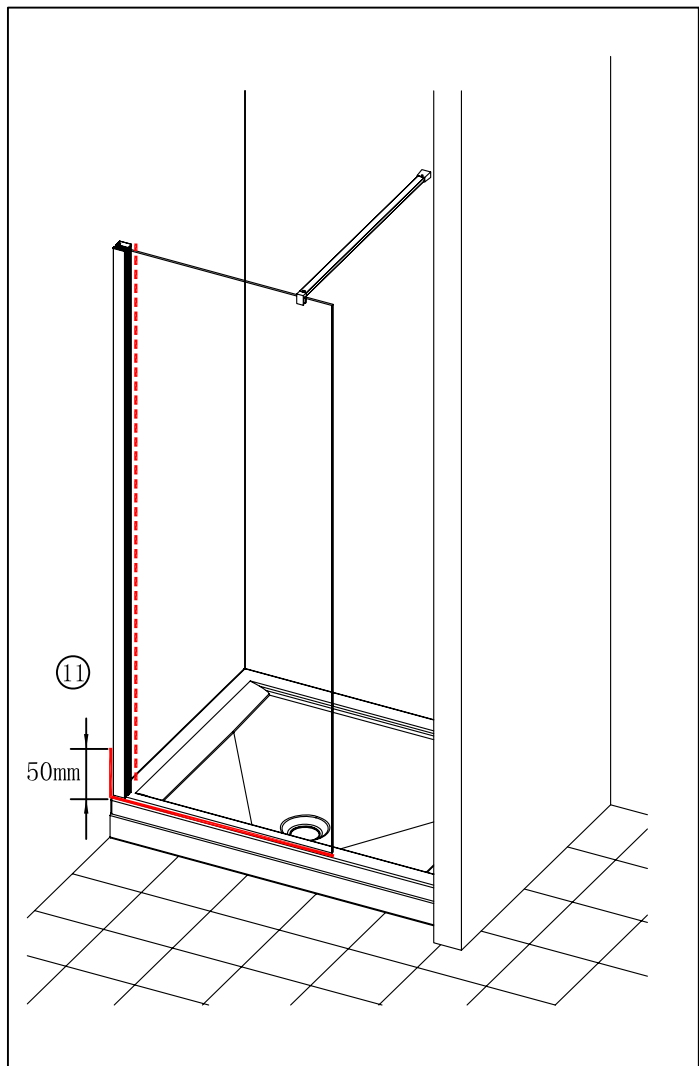
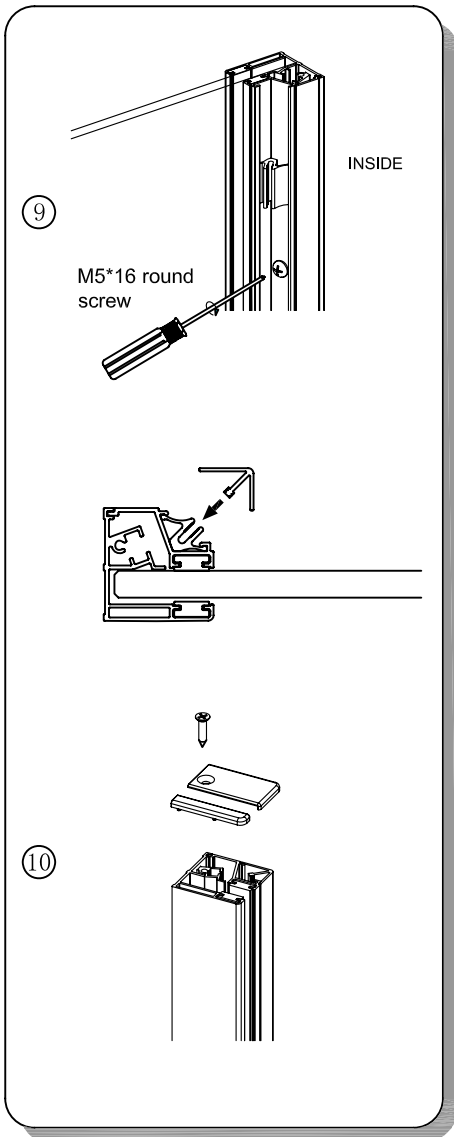
Use a quality silicone sealant and applicator gun to seal the finished door.

SEALING INSIDE

Seal top to bottom on the **INSIDE** between the wall profile and the wall. Note: do not apply sealant on the inside of the tray / floor.

SEALING OUTSIDE

Seal only along bottom on the **OUTSIDE** between it and the tray / floor and approx 50mm up between the wall profile and the wall.



1. Is the tray / floor level where the showerwall is located? (see page 3)
2. Is the showerwall sealed correctly to the floor and wall in the correct location (see page 6)
3. Is the wall profile plumb? (see step 1)
4. Top rail will not reach the back wall. Ensure that the back wall is not leaning back. (away from the tray at the top) – The distance from the inside of the glass panel at the top to the back wall should be maximum 1000mm (see step 1)

SHOWER WALL

WE ARE SURE YOU WILL BE PLEASED WITH YOUR NEW MERLYN SHOWER DOOR.
Where a shower door has been installed contrary to these instructions, Merlyn cannot accept responsibility for any loss or damage, however caused, and any on-site service incur a charge.

www.merlynbathrooms.com

FAILURE TO FOLLOW THE NEW INSTRUCTIONS CORRECTLY MAY INVALID YOUR GUARANTEE