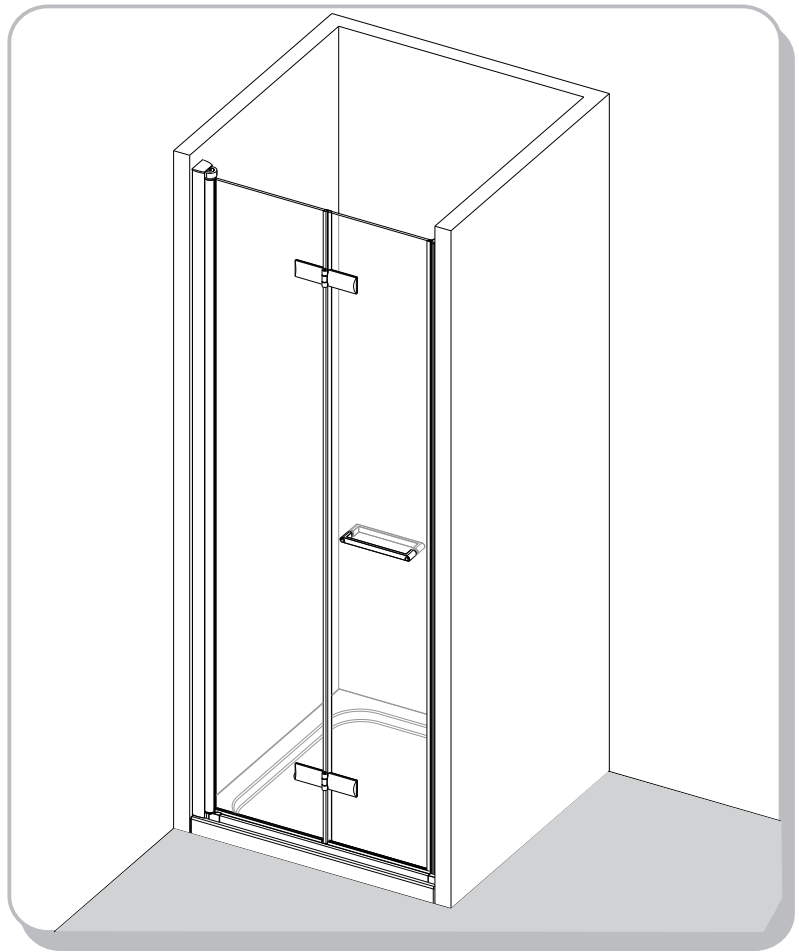
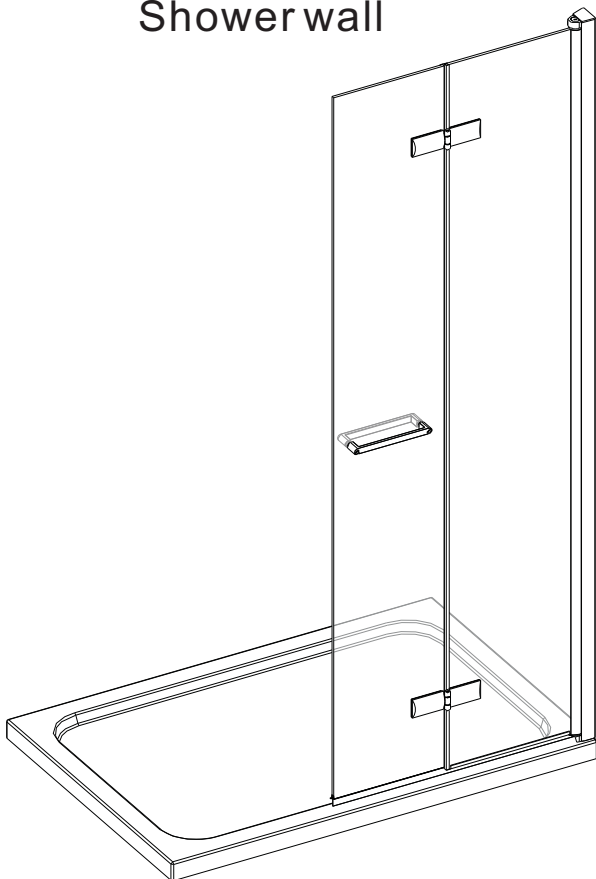


## Series 8 Bifold door/Shower wall

Bifold Door



Shower wall



## IMPORTANT

Thank you for choosing Merlyn. Please familiarise yourself with the fitting instructions before commencing fitting.

1. Check that you have the tools required.
2. Check that the installation site is compatible with size of door supplied
3. Check all the enclosure components.
4. Check that the installation kit is complete

**DO NOT attempt** to install the product unless you can tick ALL 4 boxes as satisfactory.

The wall plugs supplied with the installation kit are for use in solid walls. Hollow or 'stud-partition' walls will require alternative fixings. Please consult a hard ware supplier for the correct type.

It may also be necessary to consult your tiling supplier about the correct method for drilling your tiles.

**USE SAFETY EYEWEAR WHEN DRILLING**

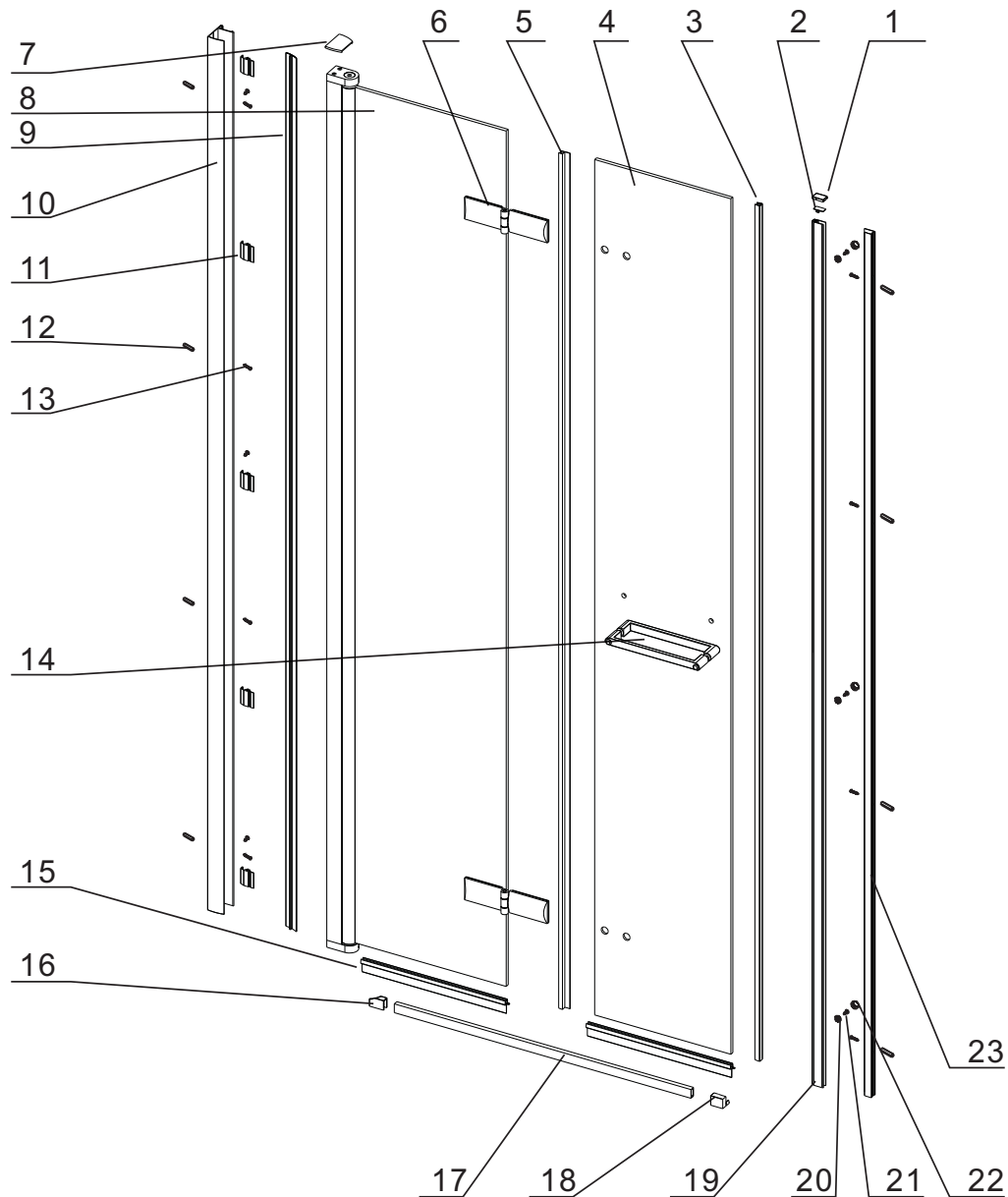
Any parts missing or damaged must be reported to your supplier within 5 days of purchase. Inspect shower enclosure before fitting as no claims will be acceptable after product has been installed.

### Adjustment when used as Bifold door in recess

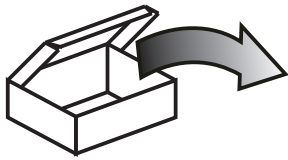
Size	Adjustment	Opening space
800	760-790	560
900	860-890	670
1000	960-990	780

### Adjustment when used as Shower wall

Size	Adjustment
800	720-740
900	820-840
1000	920-940



No	Description	QTY	Part No.	No.	Description	QTY	Part No.
1	Closing post cover cap L/R	2	M7120	13	Flat head screw ST4x30	8	2YS51
2	Magnet profile universal cover cap	1	M7121	14	Handle	1	M7116
3	Magnet seal	1	M7111	15	Bottom seal	2	M7107/M7108 /M7109
4	Moving panel A	1	A	16	Luna rail end cap hinged side L/R	2	M7118
5	Moving door upright water seal	1	M7110	17	Luna rail	1	M7103
6	Hinge	2	M7114	18	Luna rail end cap closing side L/R	2	M7119
7	Cover cap for wall profile L/R	2	M7017	19	Magnet profile	1	M7105
8	Moving panel B	1	B	20	Screw cover cap clip	3	M7124
9	Cover strip	1	M7104	21	Screw ST4x12	6	A2401201
10	Wall profile	1	M7100	22	Screw cover cap	3	M7123
11	Cover strip clip	5	M7009	23	Magnet wall profile	1	M7106
12	Φ6x30 wall plug	8	B08070				



## Fixing kit components

4x30mm



2SY51x8

4x12mm



A2401201x6



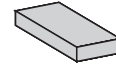
B08070x8



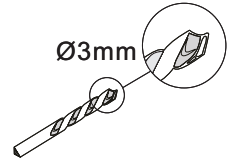
M7124x3



M7123x3



M7020  
X1

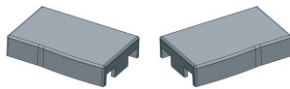


Ø3mm

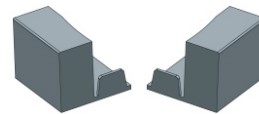
B08092x1



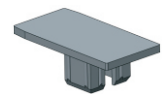
M7017x2



M7120x2



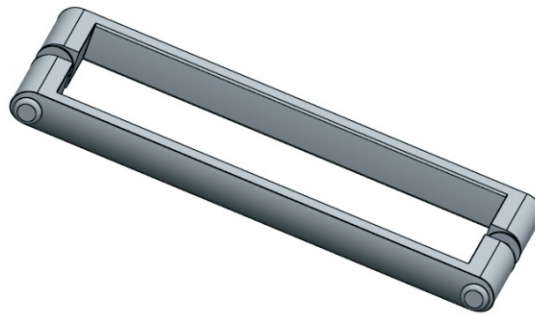
M7119x2



M7121x1



M7118x2

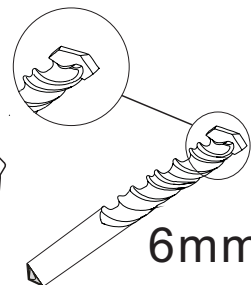
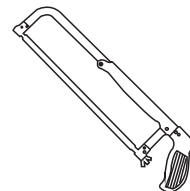
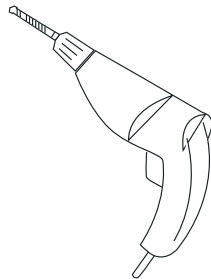
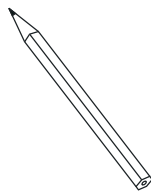


M7116x1

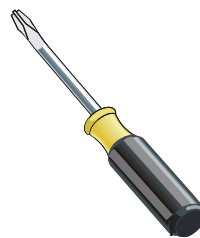
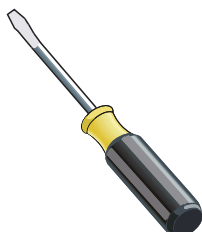
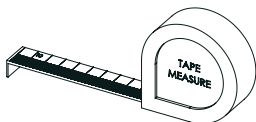


B08068x1

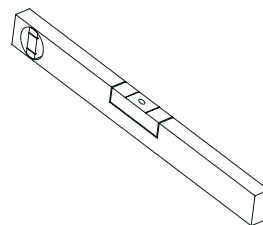
## Tools required



6mm

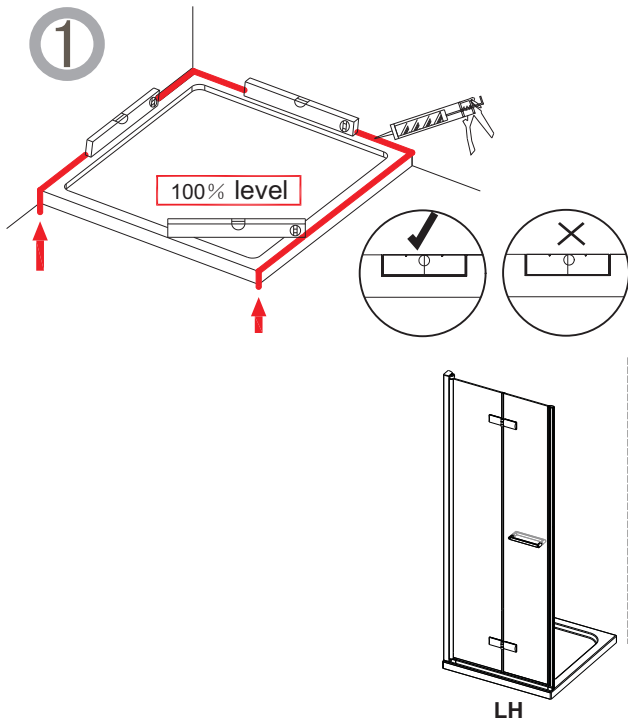


PH2



## PROCEDURE

1



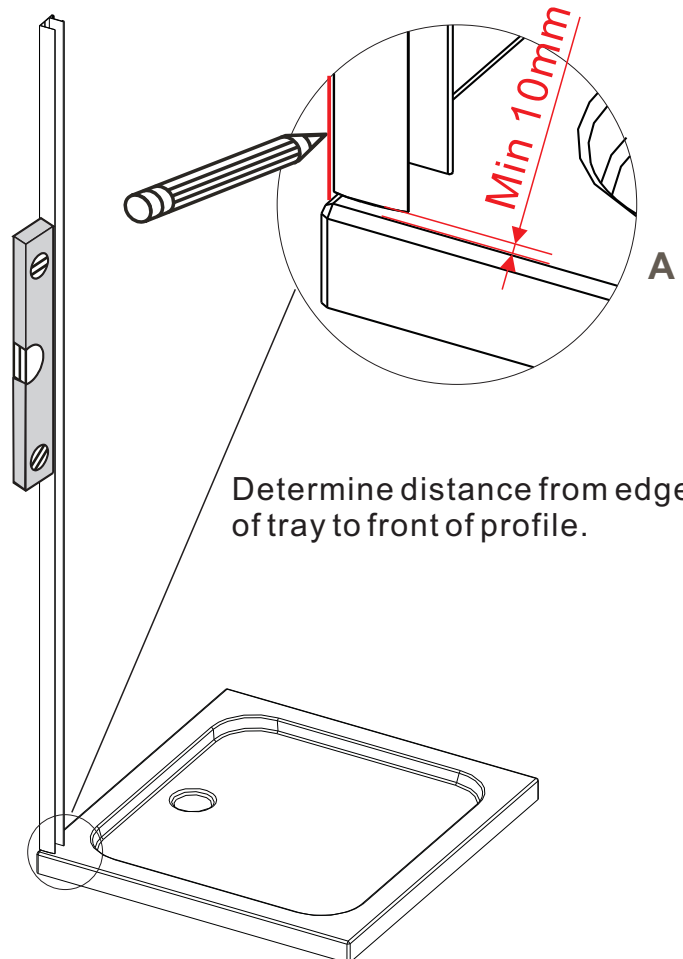
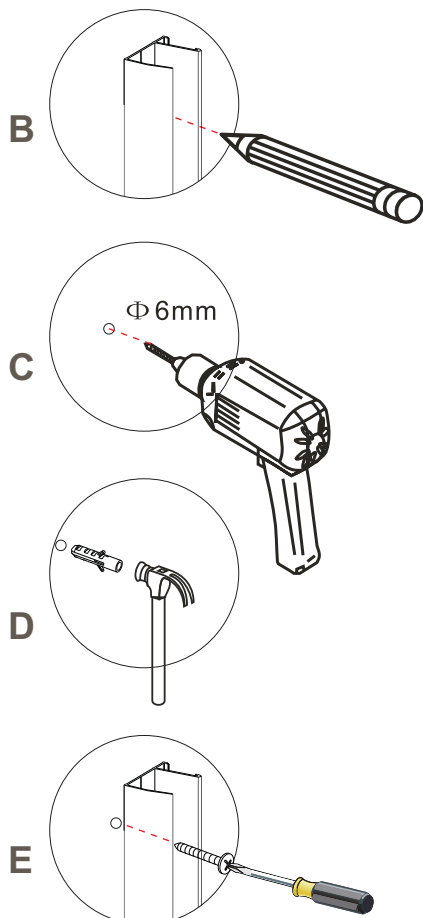
**TRAY MUST BE LEVEL IN ALL DIRECTIONS!**

Ensure the shower tray is level in all directions and is properly sealed to the wall. The wall must be tiled down to the top edge of the tray. **Do not angle out bottom tile.**

**TRAY MUST BE SEALED FULLY AROUND WHERE THE TRAY MEETS THE WALL.**

**Note: Determine the handing, note that the wall profile is only fitted to the hinged side.**

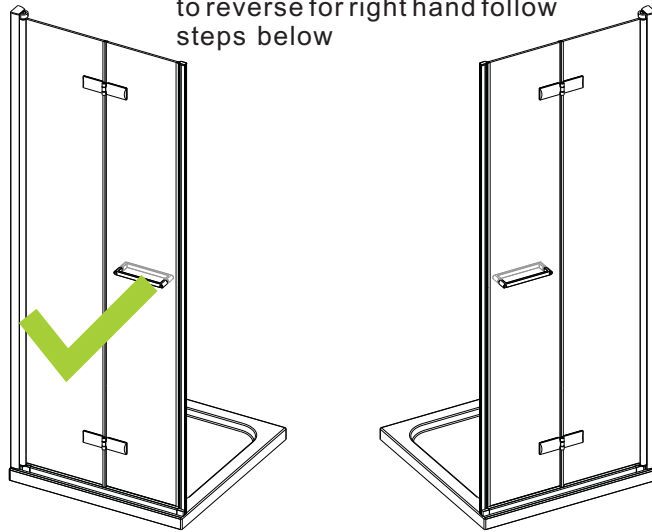
2



Determine distance from edge of tray to front of profile.

3

The door is set up as left hand, to reverse for right hand follow steps below

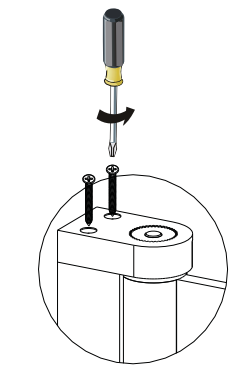


First loosen the top bracket and remove the profile and bracket assembly. Then remove parts M7024 & M7025.

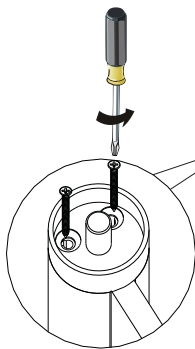
**Note M7025 with V should always be on the bottom.**

LH

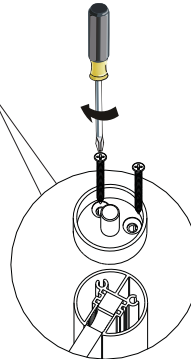
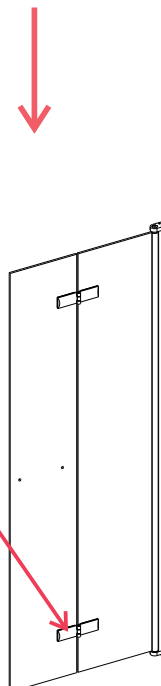
RH



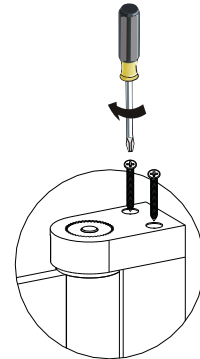
**A**  
Remove bracket and profile



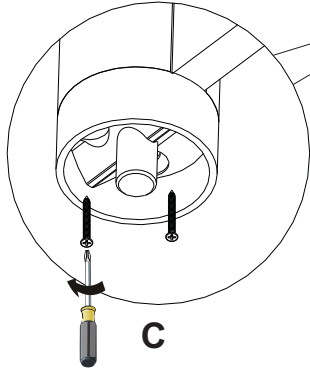
**B**  
Remove M7024



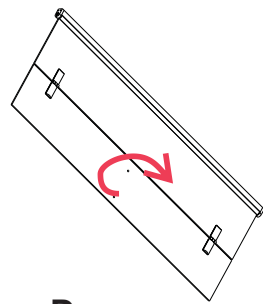
**F**



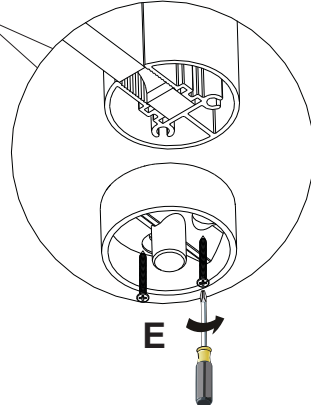
**G**



**C**  
Remove M7025

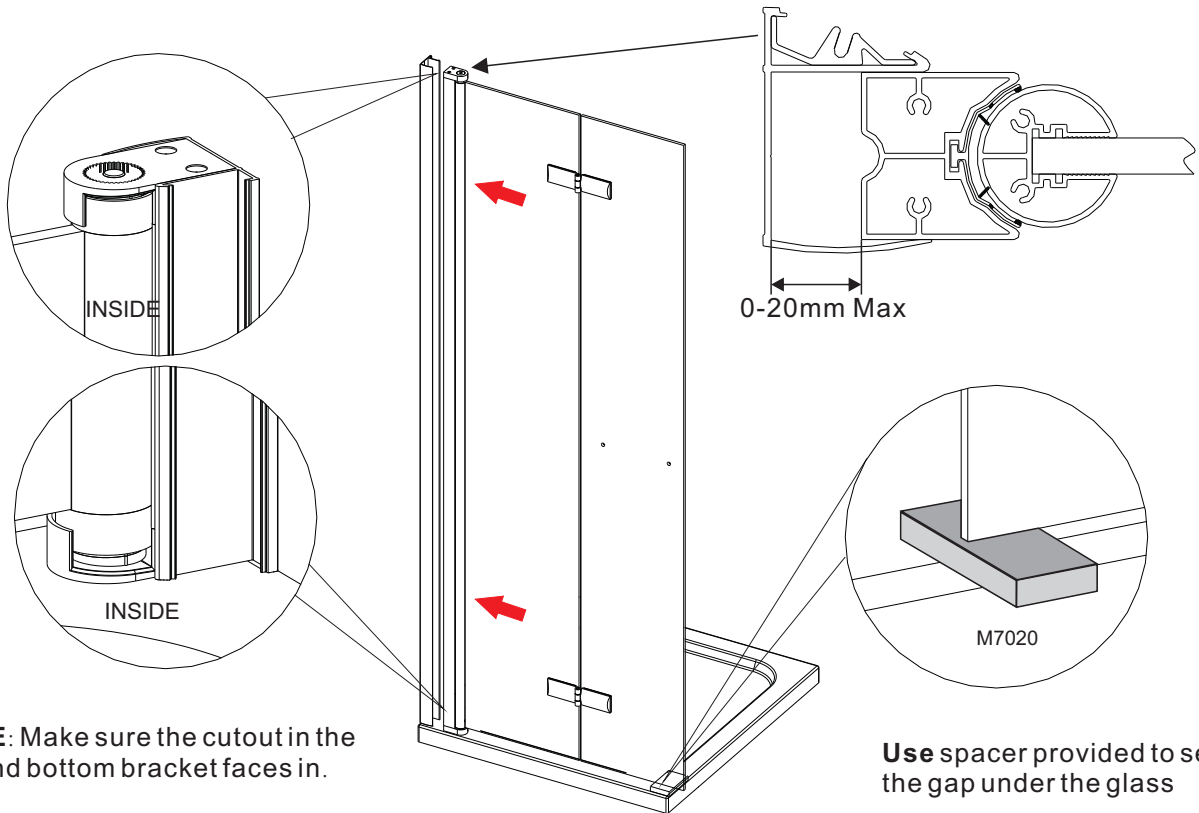


**D**  
Flip the glass panels end over end



**E**  
Fit M7025 (part with V) to the bottom of the profile

4

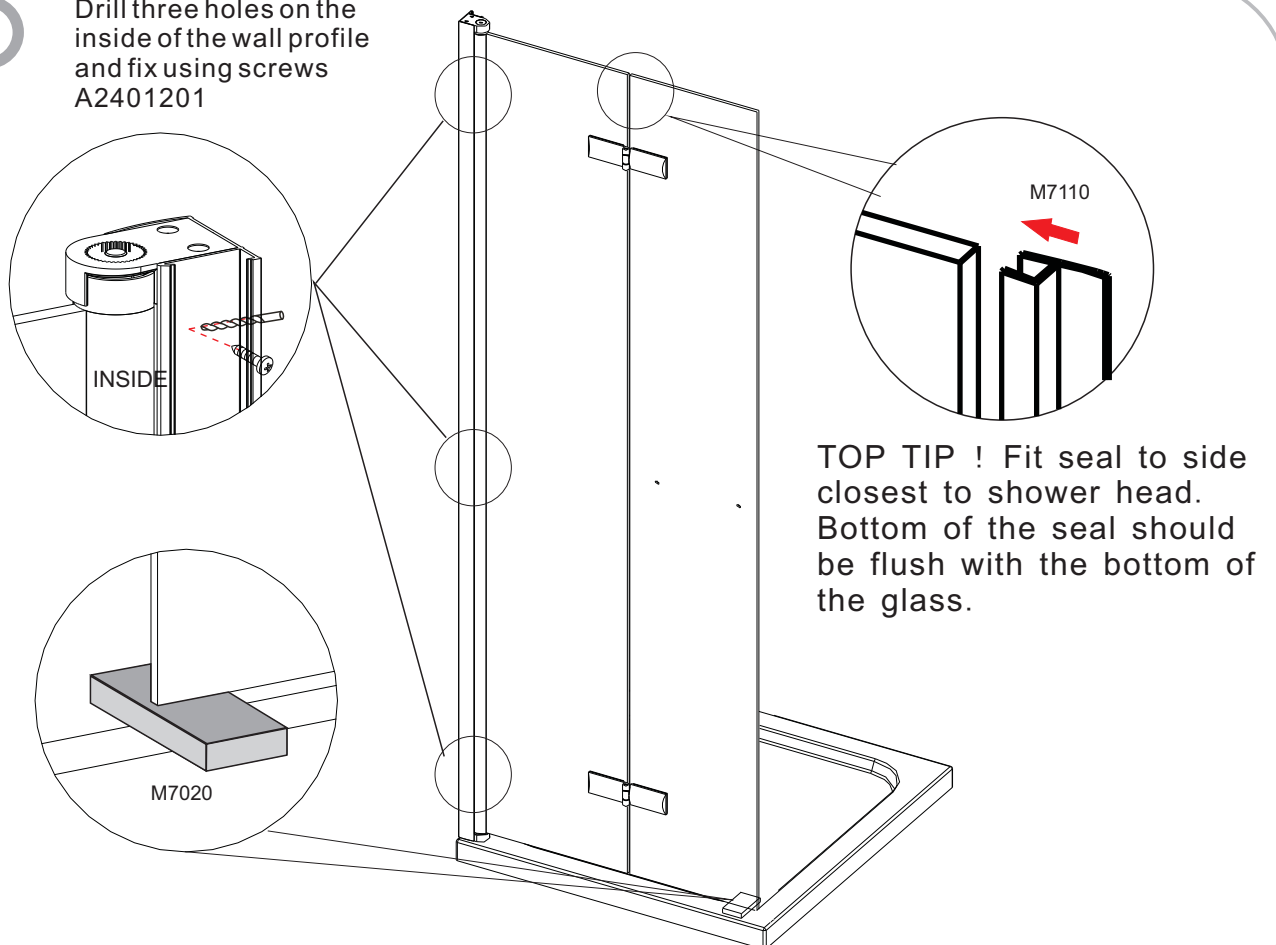


**NOTE:** Make sure the cutout in the top and bottom bracket faces in.

**Use** spacer provided to set the gap under the glass

5

Drill three holes on the inside of the wall profile and fix using screws A2401201



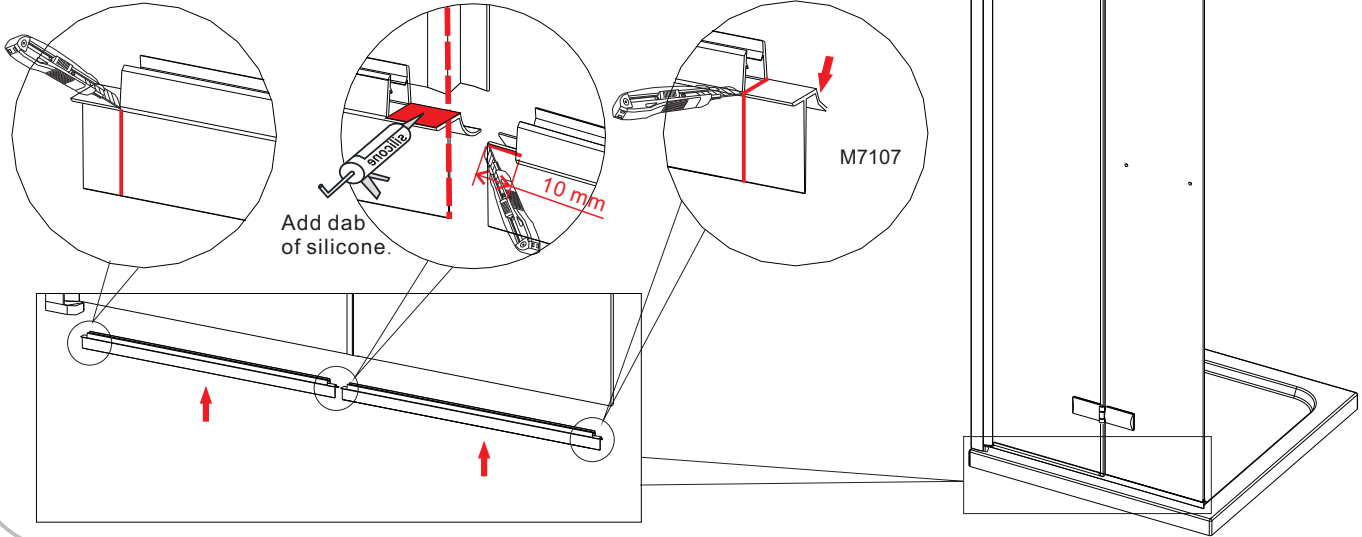
**TOP TIP !** Fit seal to side closest to shower head. Bottom of the seal should be flush with the bottom of the glass.

6

Cut excess only from the hinged side of both seals.

End of the bottom seal should be flush with the outside face of the upright seal.

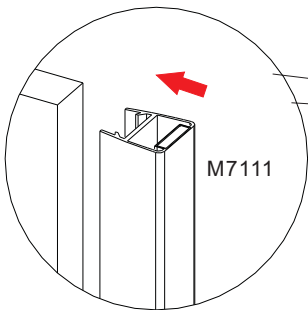
Make sure the angled fin is to the inside



**Note: If fitting as a shower wall skip to step 10 for sealing instructions.**

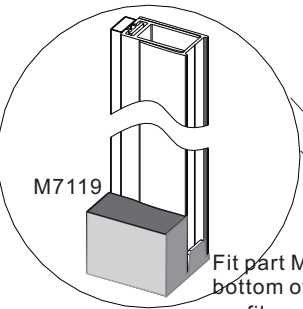
7

A



M7111

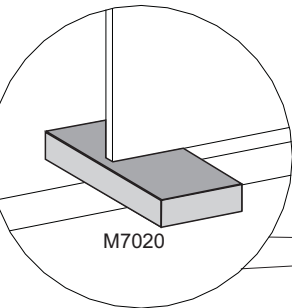
B



M7119

Fit part M7119 to the bottom of the magnet profile assembly.

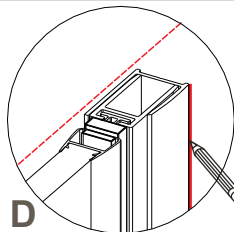
C



M7020

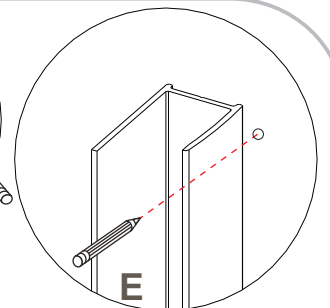
D

Close door fully, align magnets and mark position the profile on the wall.



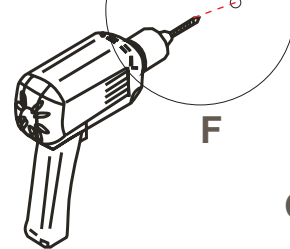
E

Align the Magnet profile to the line and mark hole position

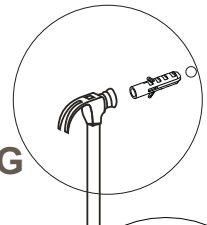


Φ 6mm

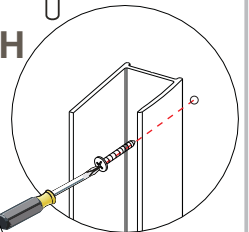
F



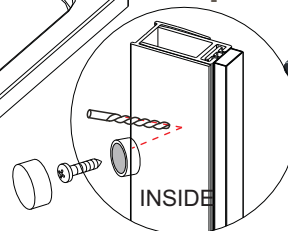
G



H



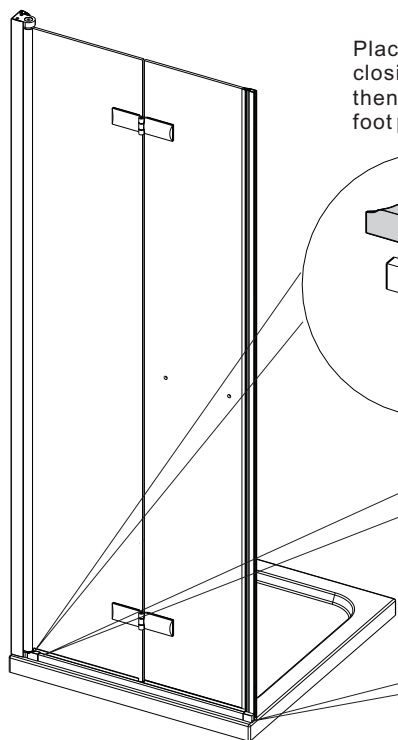
I



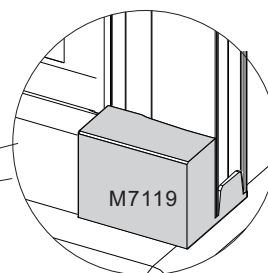
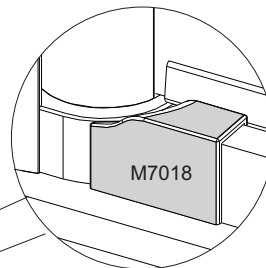
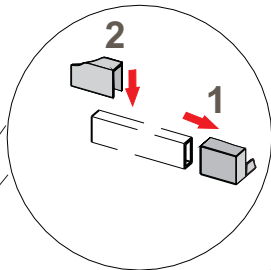
INSIDE



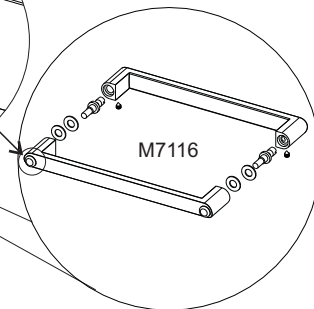
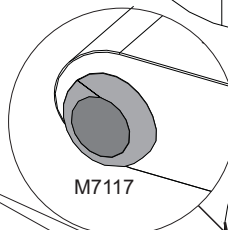
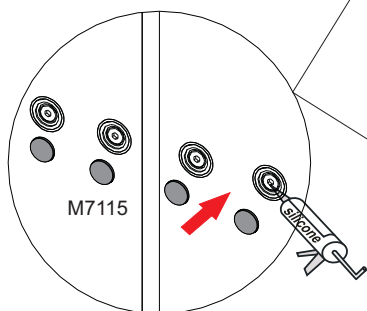
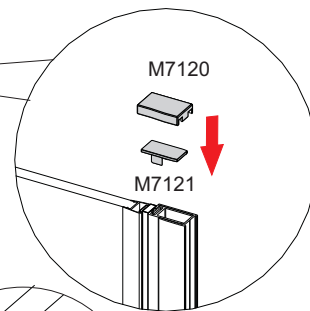
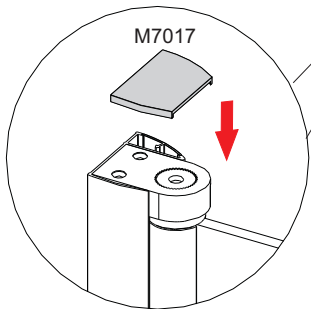
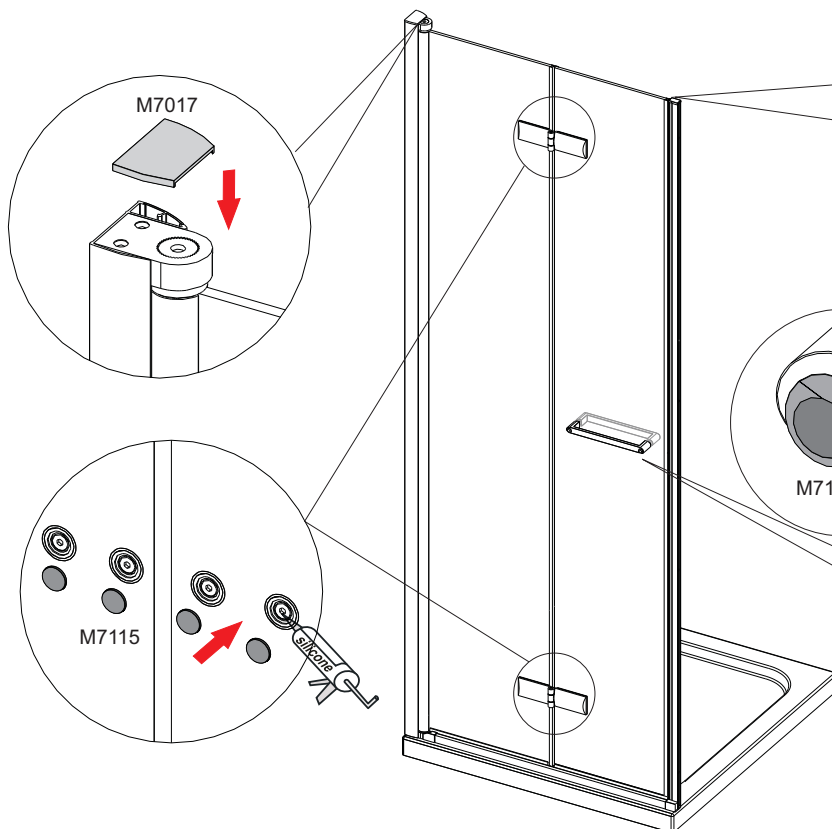
8



Place Luna rail into closing side (1) first, then fit hinged side foot plate (2).

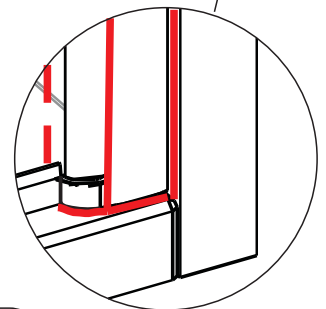
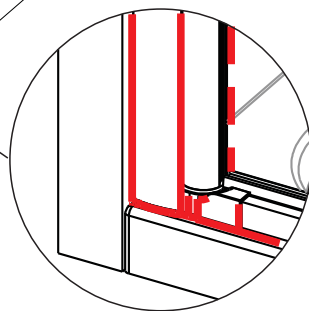
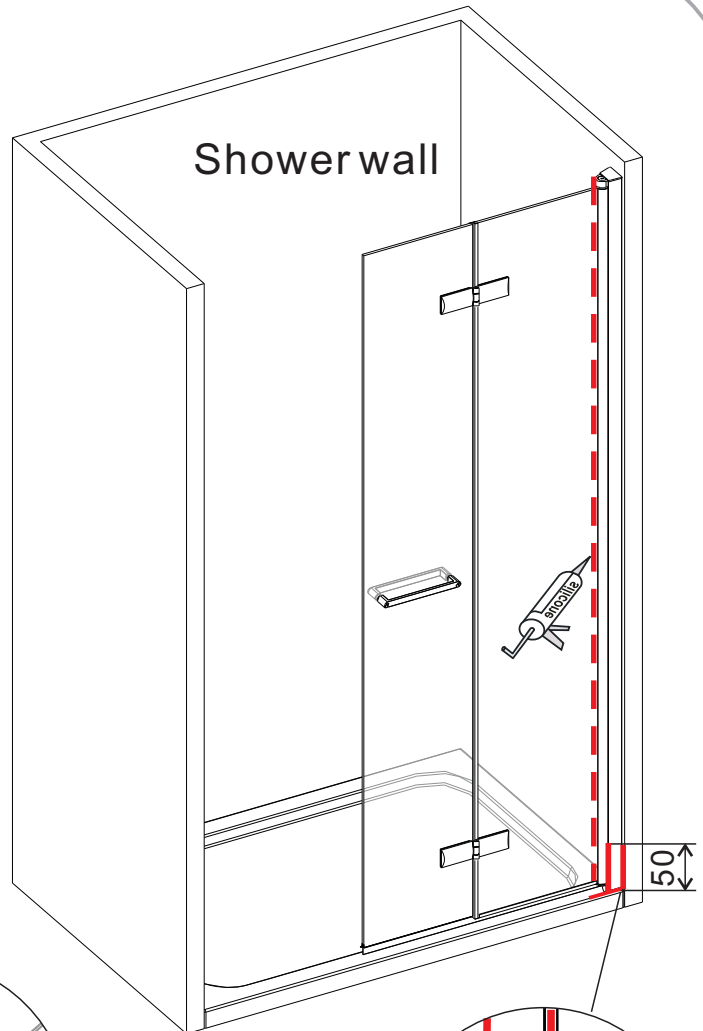
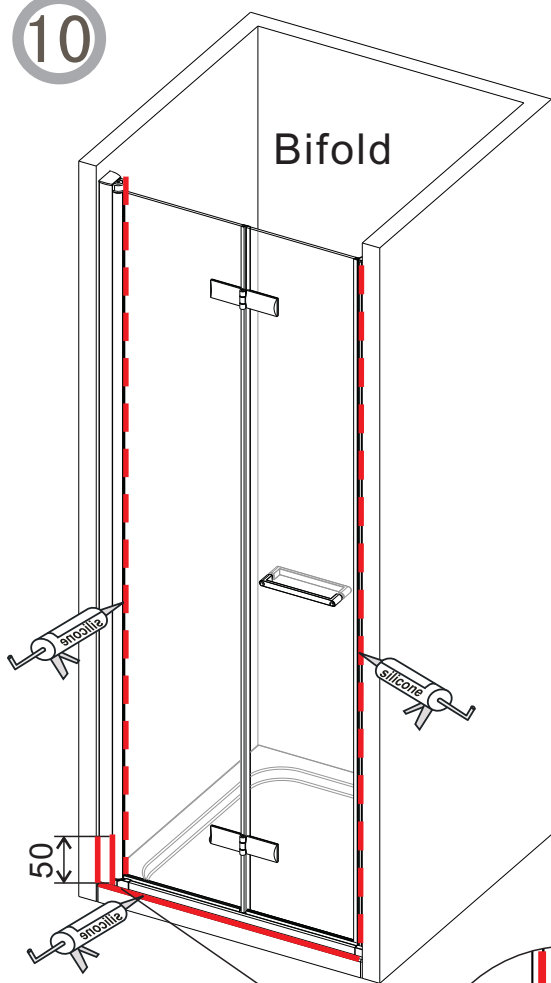


9



**NOTE:** Make sure the handle is fitted with the bump stops facing to the outside.

10



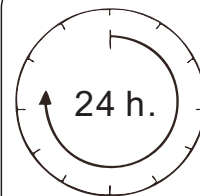
### SEALING INSIDE

Seal top to bottom on the **INSIDE** between the wall profile and the wall.

**Note:** Do not apply sealant on the inside of the tray.

### SEALING OUTSIDE

Seal only along bottom on the **OUTSIDE** between glass/rail/profile and the tray and approx 50mm up between the wall profile and the wall. Seal joint between bottom profile and upright profile.



DO NOT USE THE ENCLOSURE FOR 24 HOURS AFTER SEALING