

INSTALLATION GUIDE

2 Door Quadrant

MERLYN™
M

8
Series

IMPORTANT

Thank you for choosing Merlyn. Please familiarise yourself with the fitting instructions before commencing fitting.

- 1 Check that you have the tools required
- 2 Check that the installation site is compatible
with size of door supplied
- 3 Check all the enclosure components
- 4 Check that the installation kit is complete

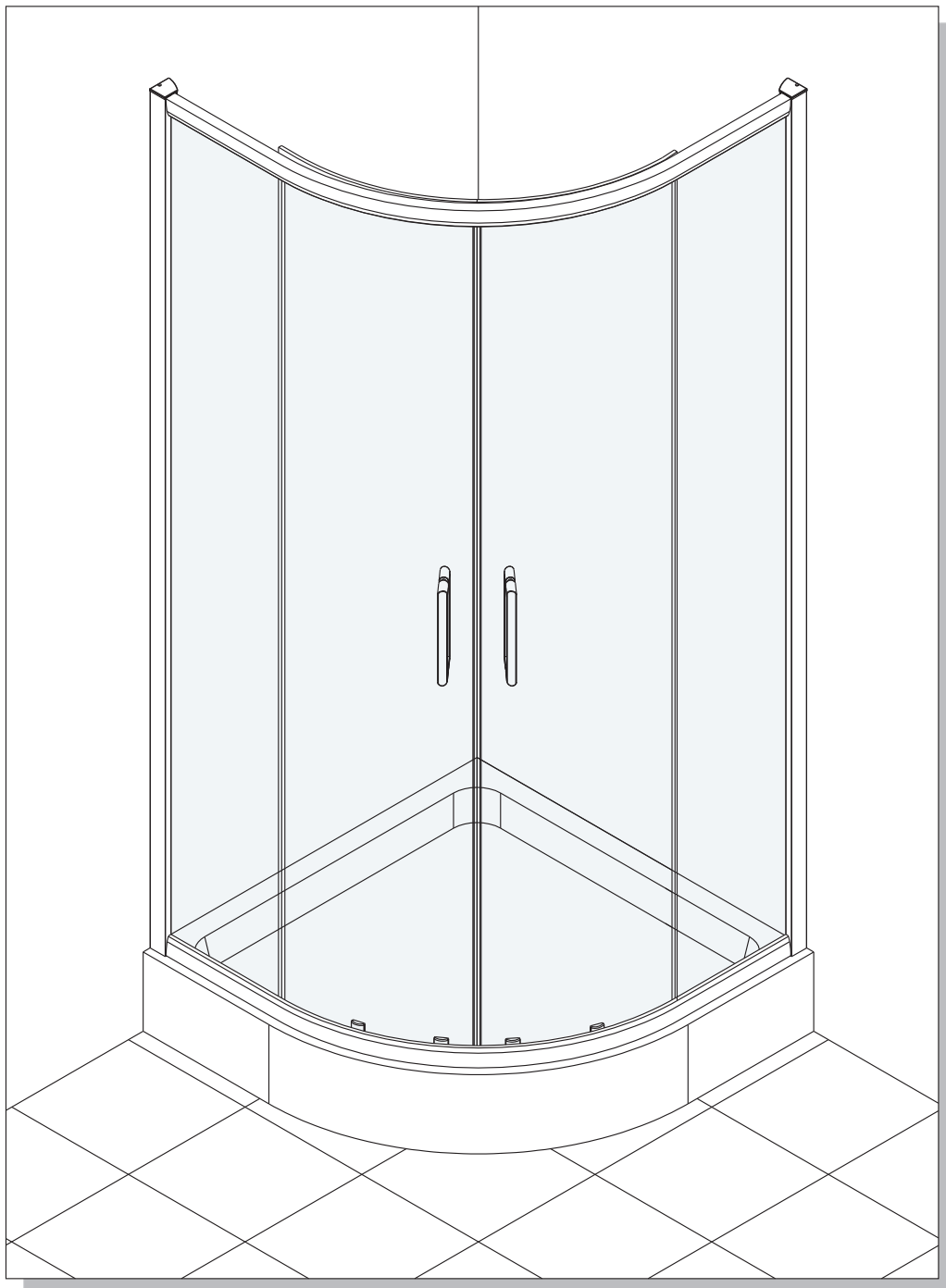
DO NOT attempt to install the product unless you can tick **ALL 4** boxes as satisfactory.

The wall plugs supplied with the installation kit are for use in solid walls. Hollow or 'stud - partition' walls will require alternative fixings. Please consult a hardware supplier for the correct type.

It may also be necessary to consult your tiling supplier about the correct method for drilling your tiles.

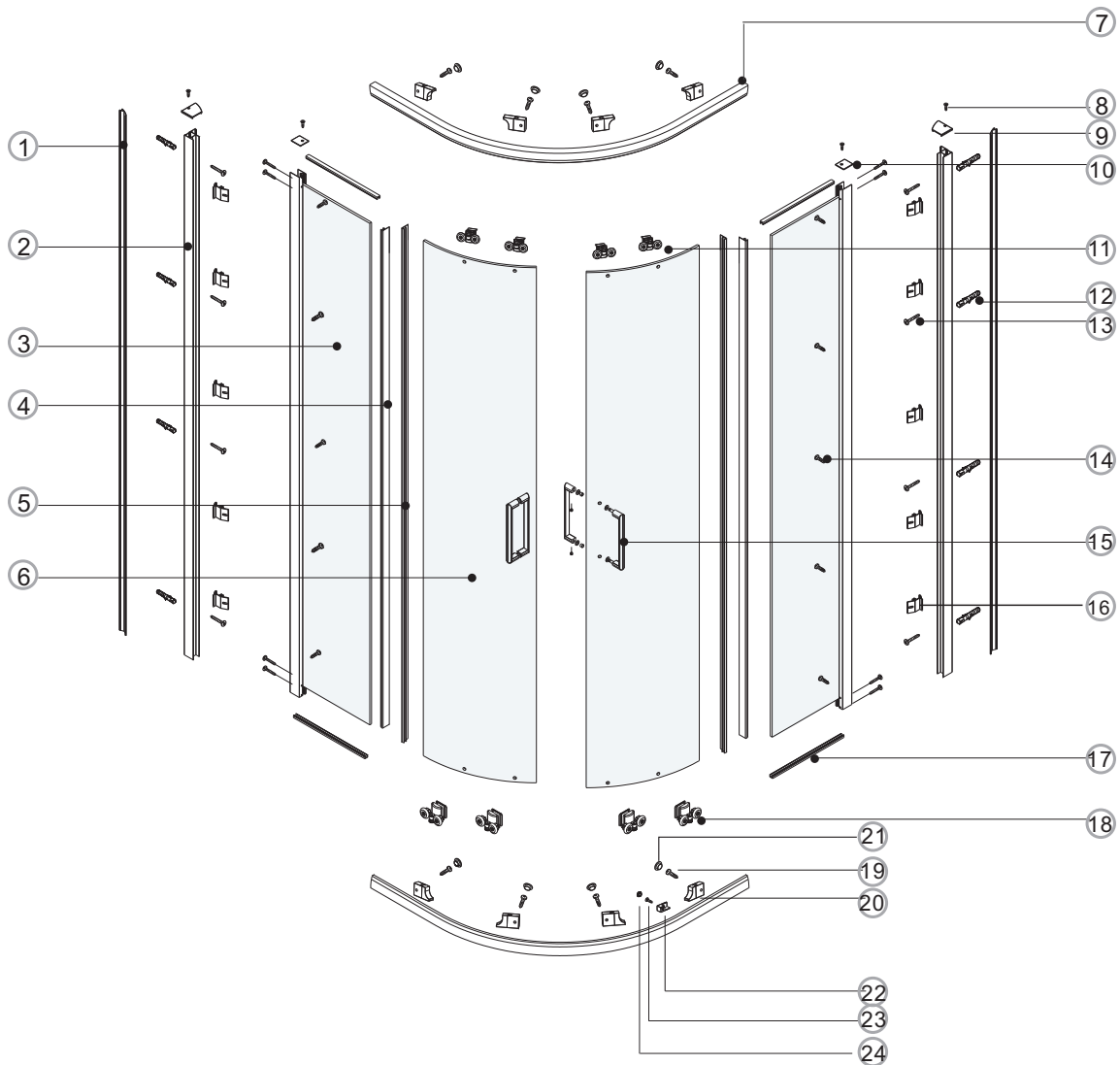
USE SAFETY EYEWEAR WHEN DRILLING

Any parts missing or damaged must be reported to your supplier within 5 days of purchase. Inspect shower enclosure before fitting. No claims will be accepted after product has been installed.



COMPONENTS AND BOX CONTENTS

1

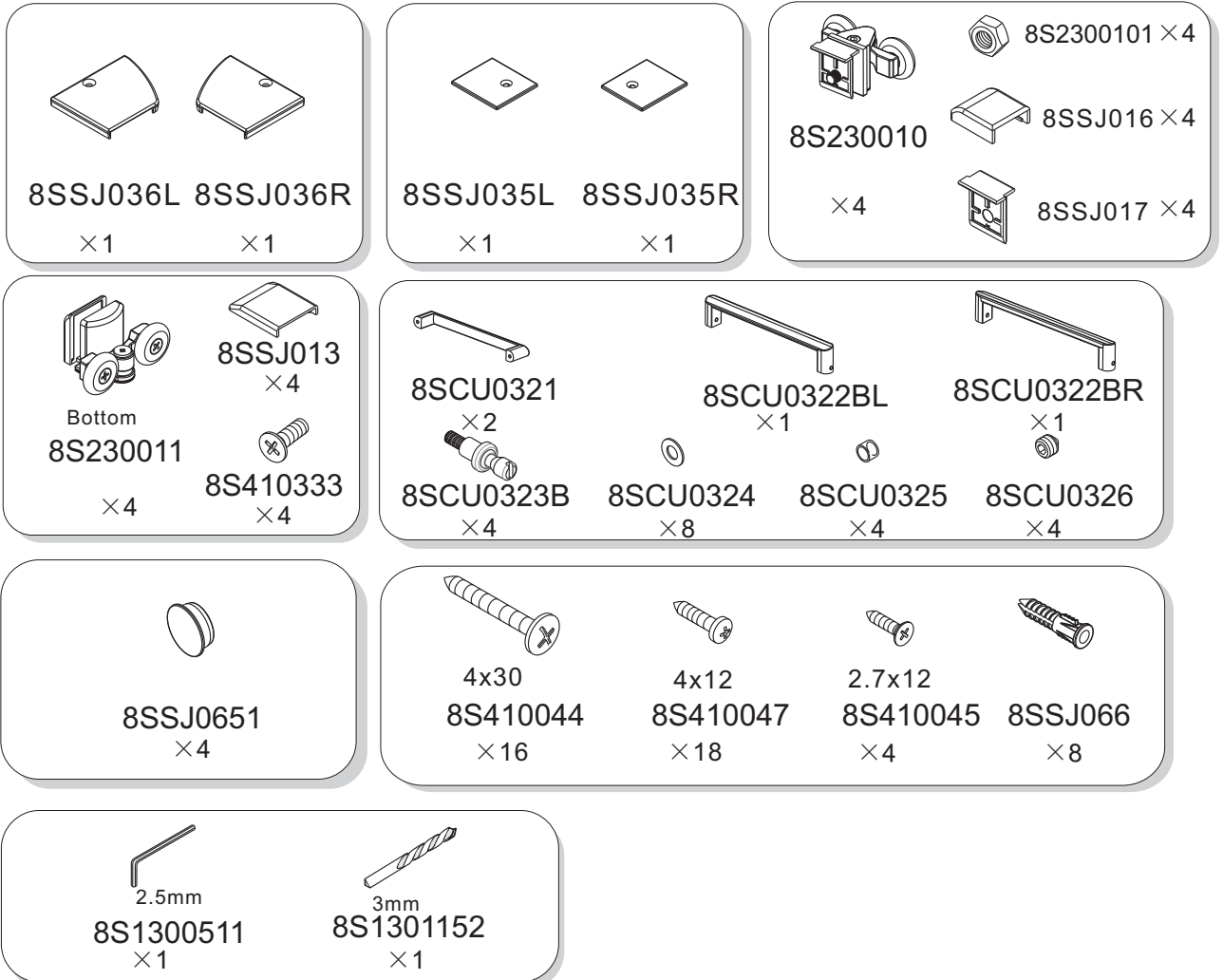


No.	Description	Qty	Part No.	No.	Description	Qty	Part No.
1	Trim strip	2	8SAL0002	13	Wall fixing screw(4x30)	16	8S410044
2	Wall profile	2	8SAL0001	14	Frame fixing screw(4x12)	10	8S410047
3	Fixed panel	2	A	15	Handle complete inside & outside	1/1	8SCU032BL/R
4	Fixed panel upright seal	2	8SSJ0503	16	Nylon clip	10	8SSJ037
5	Moving panel upright seal	2	8SSJ0508	17	Fixed panel bottom seal	4	8SSJ034c/890
6	Moving panel	2	B	18	Bottom double roller	4	8S230011
7	Top and bottom profile	2	C	19	Roller stop screw(4x12)	8	8S410047
8	Cover caps screw(2.7x12)	4	8S410045	20	Roller stop	8	8SSJ032/033
9	Wall profile cover cap	2	8SSJ036L/R	21	Roller stop cap	8	8SSJ0321
10	Upright profile cover cap	2	8SSJ035L/R	22	Fixed glass clip	4	8SSJ065L/R
11	Top double rollers	4	8S230010	23	Fixed glass clip screw(4x14)	4	8S410002
12	Wall plug	8	8SSJ066	24	Fixed glass clip cap	4	8SSJ0651

Note: Further part details for fixing kit available on Page 2

FIXING KIT COMPONENTS, TOOLS REQUIRED, SITE CONDITIONS

Fixing Kit components *parts shown are not to scale*



Tools required

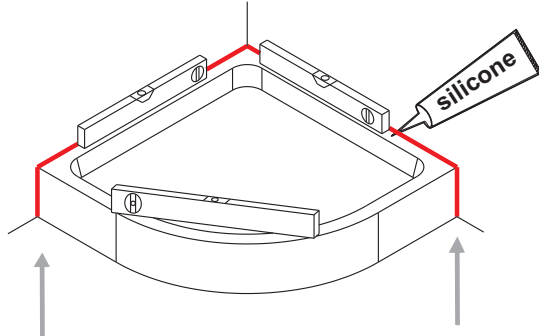
- 6mm Masonry drill bit
- Power drill
- Quality silicone
- Pencil
- Spirit level and tape measure
- #2 and #1 Philips head screw driver
- Spirit level with horizontal and vertical level indicators
- 10mm wrench

IMPORTANT - Installation Site

1. Ensure the top surface of the shower tray on which the enclosure will be installed is level in every direction.
2. The tiling or other wall finishing should be effectively sealed at the tray edges.
3. Tiles should extend at least to the corners of the tray and a minimum of 2 metres from the top of the tray.

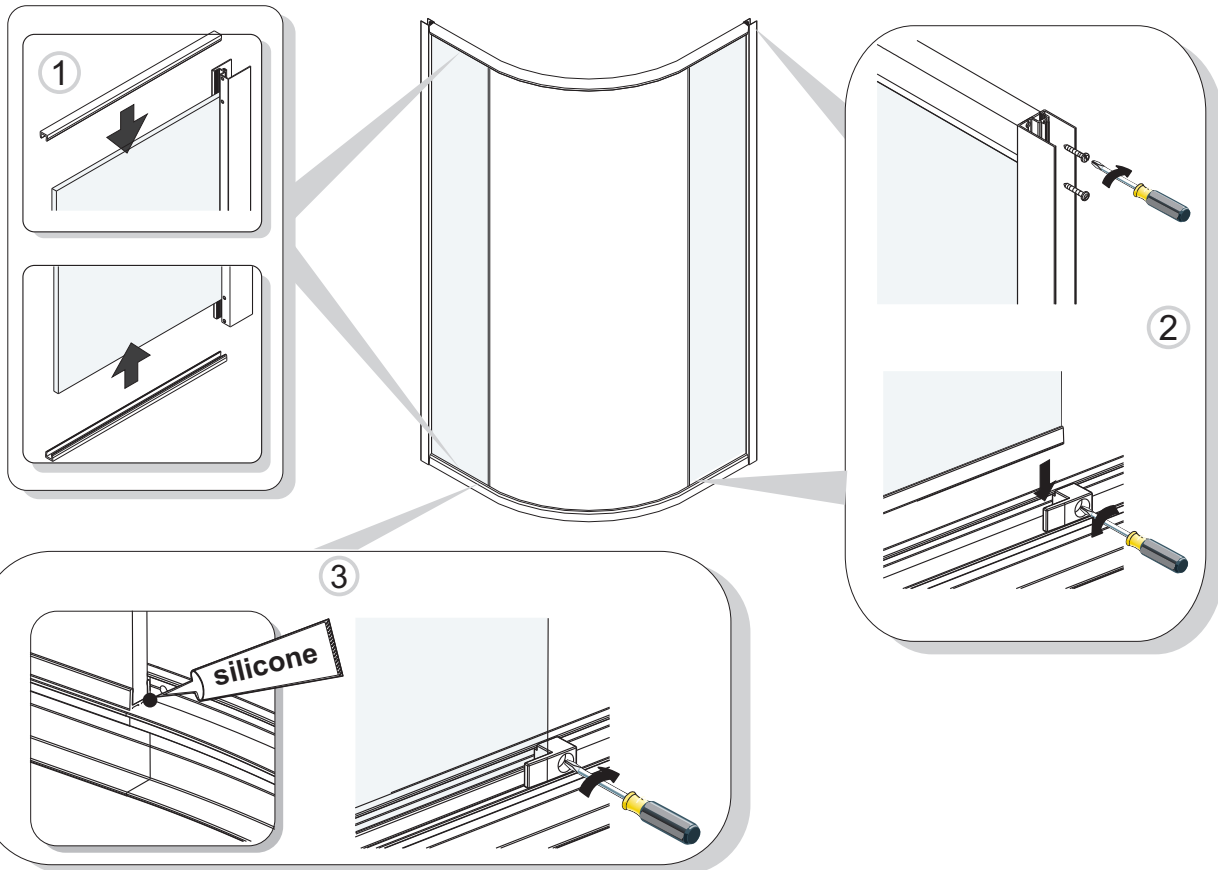
INSTALL FIXED PANEL AND GUIDING RAIL

TRAY MUST BE 100% LEVEL IN ALL DIRECTIONS



Ensure the shower tray is level in all directions and is properly sealed to the wall. The wall must be tiled down to the top edge of the tray. **Do not angle out bottom tile.**

TRAY MUST BE SEALED FULLY AROUND WHERE THE TRAY MEETS THE WALL.



Step 1

Insert the fixed panel seal **8SSJ034c/890** onto the top & bottom of the fixed panels **A**.

Step 2

Loosen the fixed panel clip **8SSJ065L/R**. Insert the fixed glass panel into the fixed clip. Fix the fixed panel to the top and bottom profile using screws **8S410044**.

Step 3

Repeat for all 4 corners. Remove the bottom fixed clips. Put a dab of silicone in the corner between glass and profile where the fixed glass clip is fixed to the bottom profile. Reattach the fixed glass clip. Remove excess silicone when upright seals are fitted (see step 14).

FIXED FRAMEWORK

Step 4

Place the wall profile **8SAL0001** 20mm from the edge of the tray. Ensure the wall profiles are plumb.

Step 5

Mark the position for fixing the wall profile to the wall.

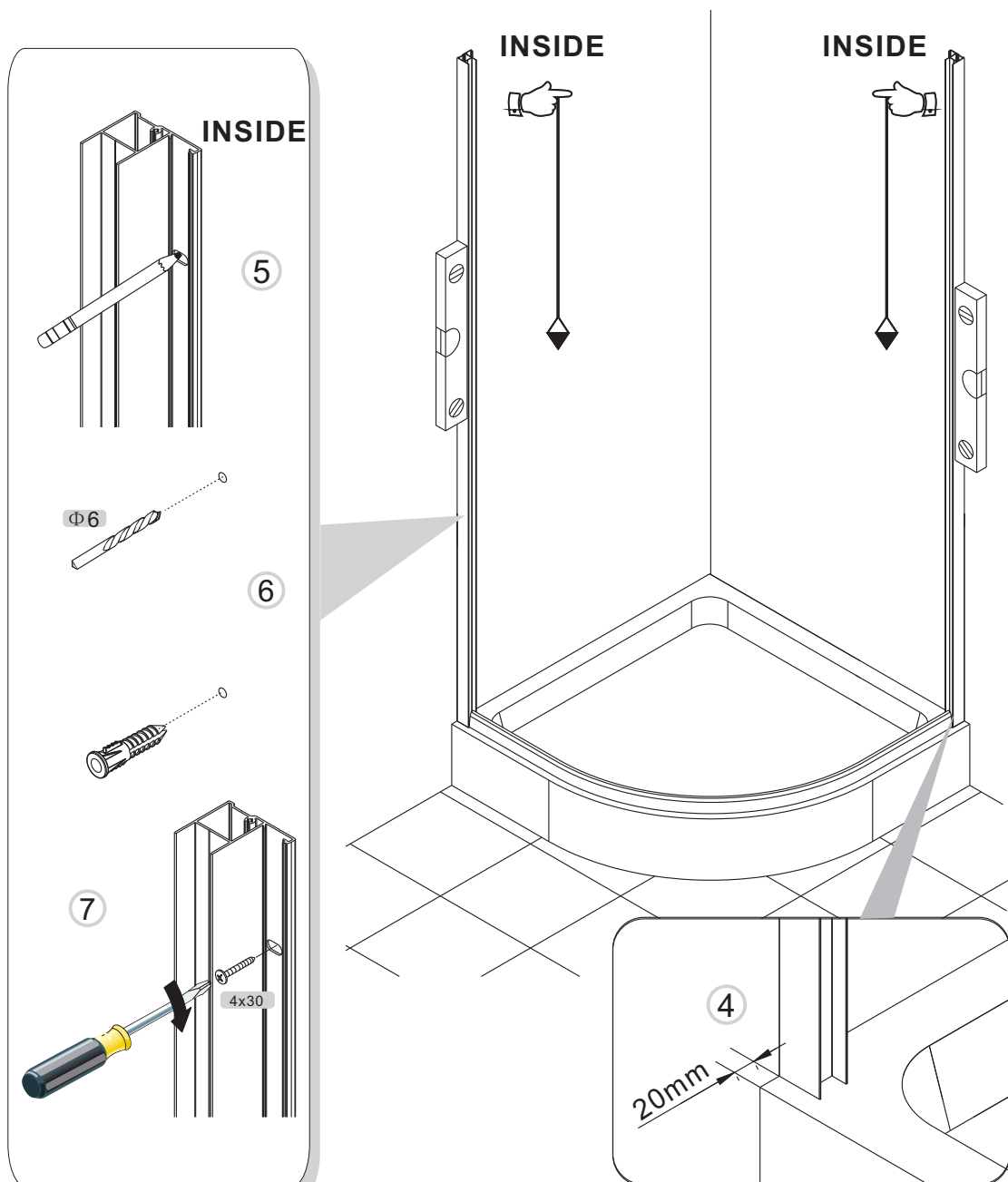
Step 6

Drill holes with 6mm masonry drill bit and insert the wall plugs **8SSJ066**.

Step 7

Fix the wall profile to the wall with screws **8S410044**.

Note: Second wall profile can be fitted into door frame when lifting onto tray in situations where the enclosure is a tight fit.



Step 8

Place the assembled frame onto the tray and slot into the wall profiles.

Step 9

Install the top and bottom double rollers **8S230010/8S230011** to the top/bottom holes of the moving panels. See **X** and **Z**. (Do not over tighten screw on bottom roller as shown in **Z**). Slot top rollers into the top profile and then clip in the bottom rollers as shown in steps **A**, **B** and **C**.

Step 10

Drill 5 equally spaced holes with 3mm drill bit **8S1301152** through the nylon clip **8SSJ037**, wall profile and frame.

IMPORTANT: Ensure minimum of 9mm front edge of frame (see picture below). Fix the frame with screws **8S410047**.

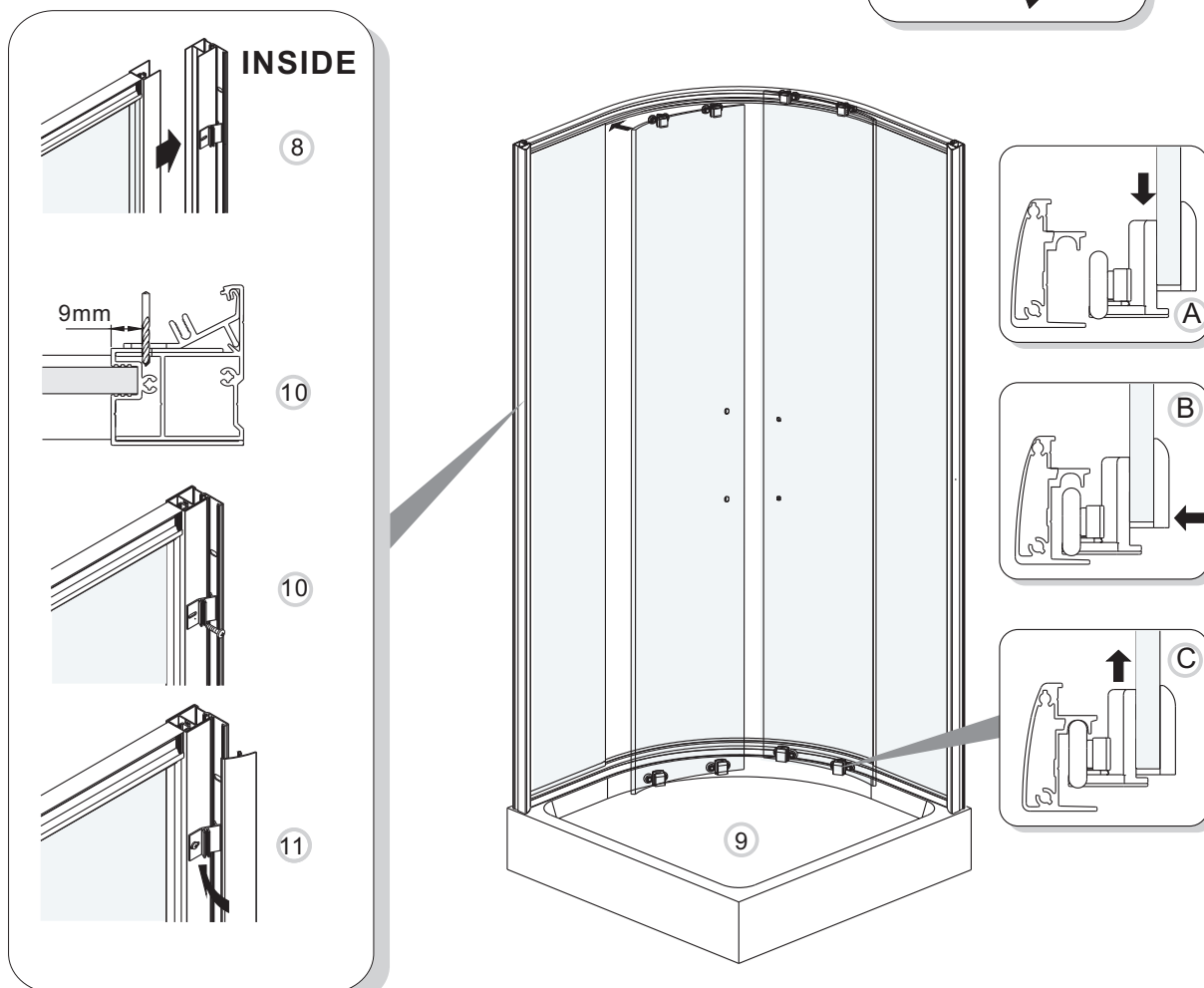
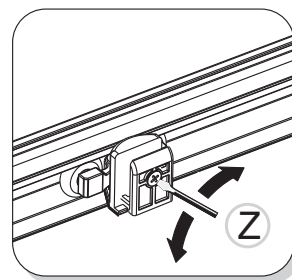
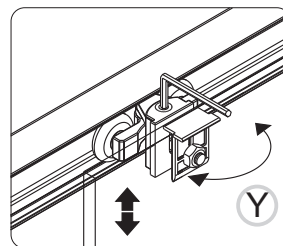
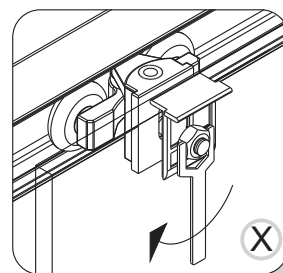
Step 11

Attach wall profile trim strip **8SAL0002**.

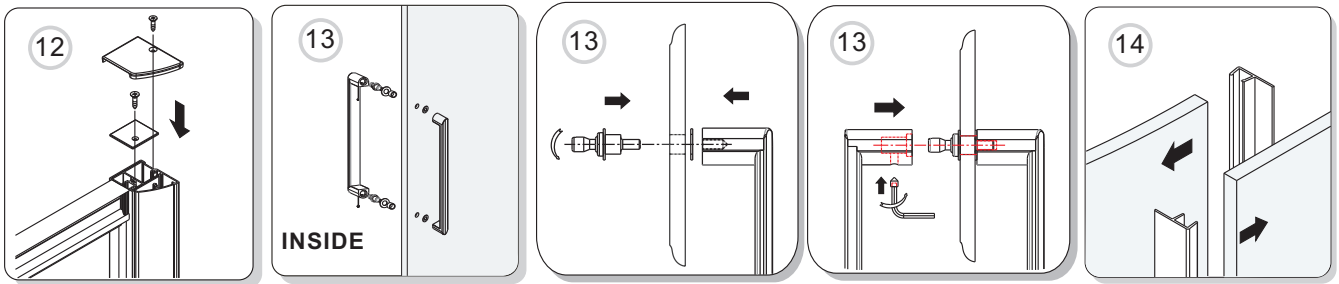
Note:

To ensure the correct rolling action and the magnets meet evenly when the doors are closed, adjust the roller by first loosening the nut **8S2300101** slightly (max half turn) as shown in **X**. Adjust the top roller up or down with hex key **8S1300511** as shown in **Y**. Tighten nut when finished.

Note: Do not over tighten bottom rollers **8S230011** to glass. See **Z**



FINISHING AND SEALING

**Step 12**

Fix the upright cover caps **8SSJ035L/R** and wall profile cover caps **8SSJ036L/R** with screw **8S410045**.

Step 13

Assemble handle onto moving panel **A**. Insert the brass screws **8SCU0323B** through the glass from the inside and screw into the outer handle **8SCU0321** (without grub screws). **Do not over tighten**. Ensure all washers are present on both sides of the glass. Then attach the inside handle **8SCU0322BL/R** (with grub screws facing down) onto the brass screw. Tighten grub screws to fix the handle with the hex key **8S1300511**.

Step 14

Attach the moving panel upright seal **8SSJ0508** (longer seal) to the back of the moving panel. Attach the fixed panel seals **8SSJ0503** (shorter seal) to the front of the fixed panels. Ensure they are resting on the bottom fixed glass clips. Remove excess silicone from the fixed glass clip where applied in step 3.

Step 15

Use a quality silicone sealant to seal the finished door.

Sealing Inside

Seal top to bottom on the **INSIDE** between the wall profile and the wall.

Note: Do not apply sealant on inside of tray.

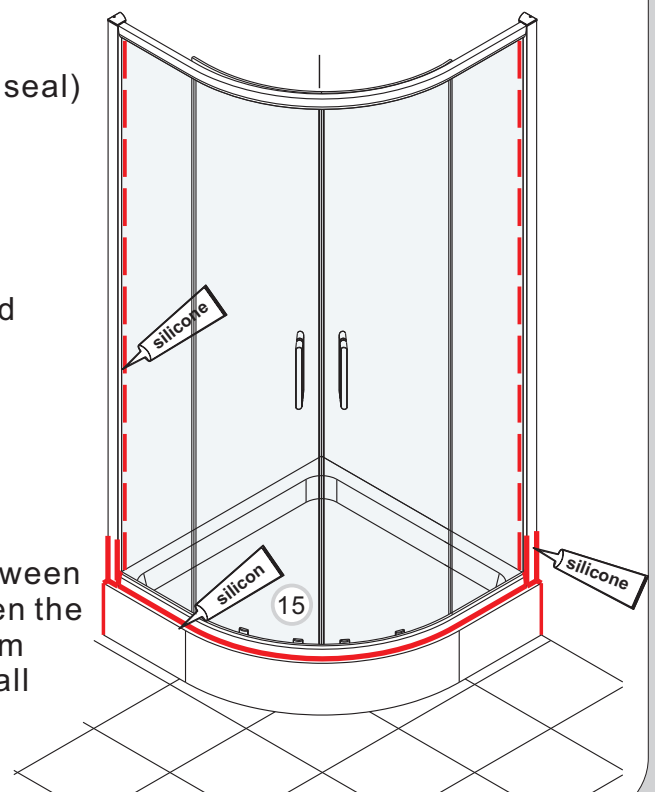
Sealing Outside

Seal only along bottom rail on the **OUTSIDE** between profile and the tray and approx 50mm up between the wall profiles and the wall. Seal also where bottom profile and upright profile join and also where wall profiles and frame profile overlap 50mm up.

24 HRS



DO NOT USE THE ENCLOSURE FOR 24 HOURS AFTER SEALING

**SERIES 8 2 DOOR QUADRANT**

WE ARE SURE YOU WILL BE PLEASED WITH YOUR NEW MERLYN SHOWER DOOR.

Where a shower door has been installed contrary to these instructions, Merlyn cannot accept responsibility for any loss or damage, however caused, and any on-site service may incur a charge.

www.merlynbathrooms.com

FAILURE TO FOLLOW THE INSTRUCTIONS CORRECTLY MAY INVALIDATE YOUR GUARANTEE

Trouble Shooting Guide

2 Door Quadrant



- ① Is the tray level? (See page 3 of the site installation instructions).
- ② Have the walls been checked at different levels to ensure consistency?
- ③ Are the wall profiles stepped in 20 mm from the edge of the tray? (See step 4)
- ④ Are the wall profiles plumb? (vertically aligned and checked with a spirit level)?
(See step 4)
- ⑤ Are the rollers properly adjusted? (See step 11)
- ⑥ Is the unit correctly sealed with silicone? (See step 15)
- ⑦ Do the finished measurements on the tray comply with the adjustments listed in the
product specifications book?
- ⑧ Are the upright seals fitted correctly ? (See step 14)
- ⑨ Have the fixed panels been properly secured? (See step 2)
- ⑩ Ensure a sufficient dab of silicone is applied between fixed clip and glass on bottom
profile and upright seal is fitted to fixed panel. Then remove excess silicone.
(See step 3)
- ⑪ If bottom roller easy clean function does not work correctly slightly loosen screw.
(See Z on page 5)