

PIVOT DOOR



IMPORTANT

Thank you for choosing Merlyn. Please familiarise yourself with the fitting instructions before commencing fitting.

1. Check that you have the tools required.
2. Check that the installation site is compatible with size of door supplied
3. Check all the enclosure components.
4. Check that the installation kit is complete

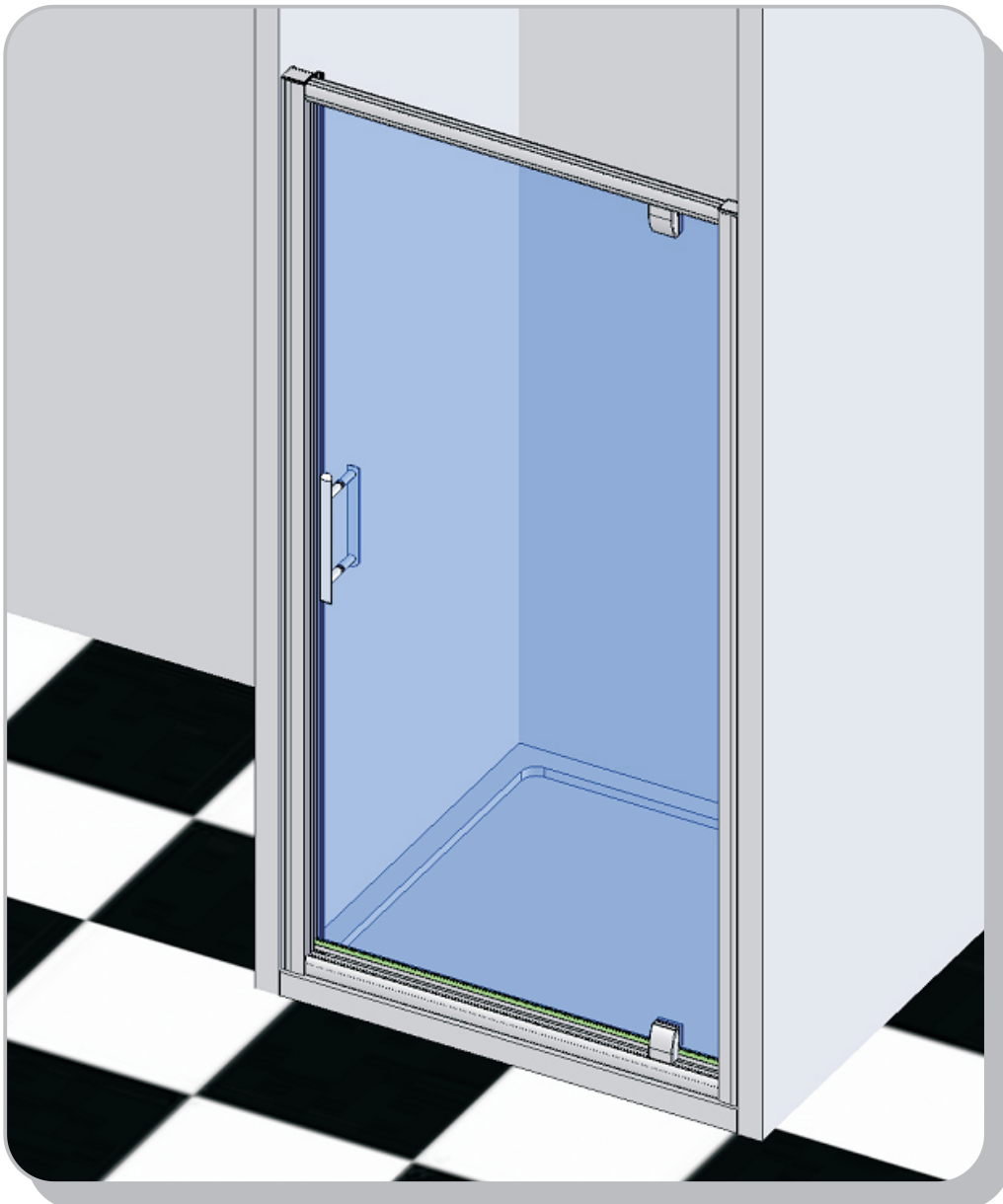
DO NOT attempt to install the product unless you can tick ALL 4 boxes as satisfactory.

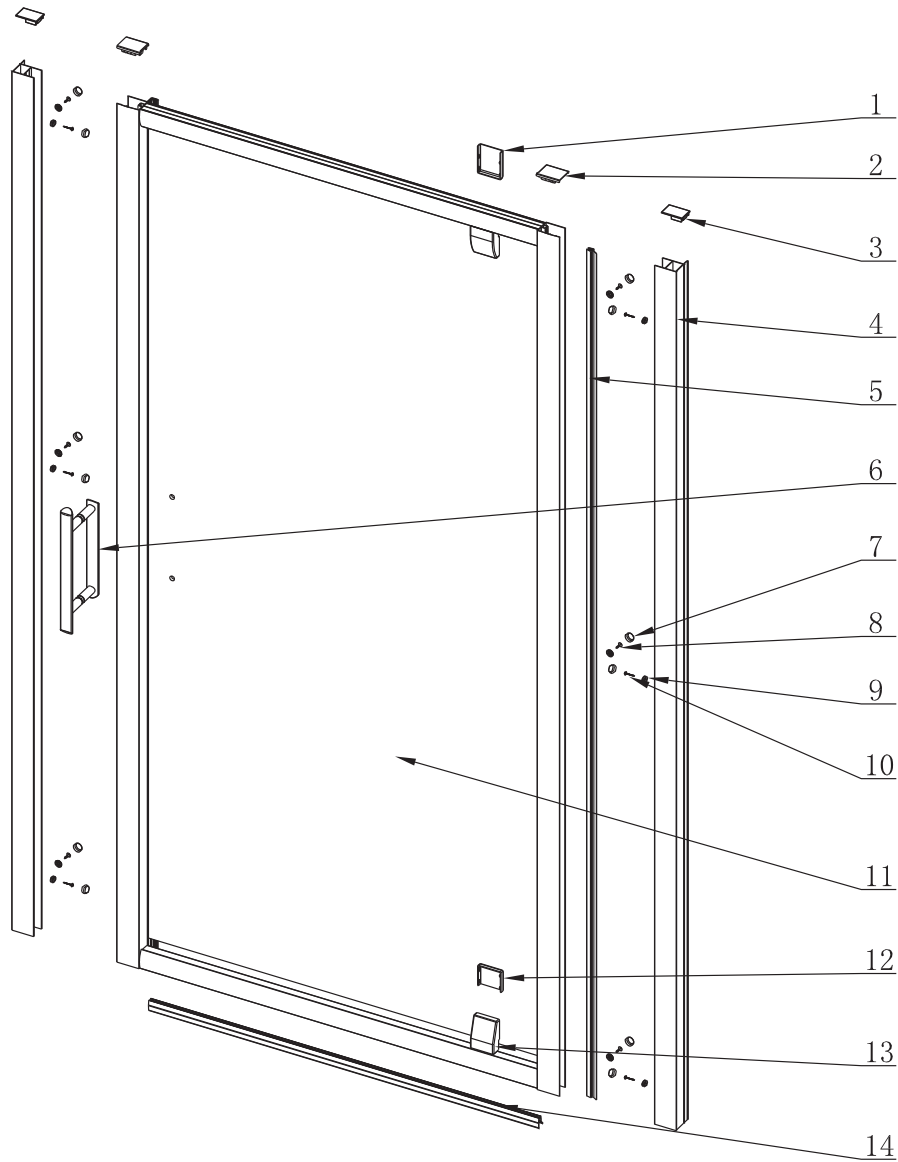
The wall plugs supplied with the installation kit are for use in solid walls. Hollow or 'stud-partition' walls will require alternative fixings. Please consult a hardware supplier for the correct type.

It may also be necessary to consult your tiling supplier about the correct method for drilling your tiles.

USE SAFETY EYEWEAR WHEN DRILLING

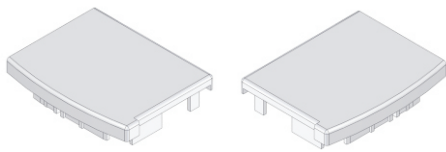
Any parts missing or damaged must be reported to your supplier within 5 days of purchase. Inspect shower enclosure before fitting. No claims will be acceptable after product has been installed.





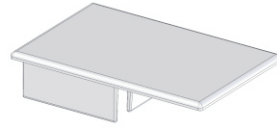
No.	Description	QTY	Part No.	No.	Description	QTY	Part No.
1	S6 Inner pivot cap top	1	V6INPVTC	8	Flat head screw ST4x12	6	V4110
2	Top cover cap L/R	2	V2101L/R	9	Screw cover cap clip	12	V2114
3	Wall profile cover cap	2	V2104	10	ST4x30 B head screw	6	V4111
4	Wall profile	2	S6S01	11	pivot door	1	A
5	Upright seal	1	V6309B16	12	S6 Inner pivot cap bottom	1	V6-04
6	Handle	1	S6HDLE	13	S6 outer pivot cap	2	S6LP8633
7	Screw cover cap	12	V2115	14	Bottom water seal	1	V60741

Note: Further part details for fixing kit available on page 2



V2101L
X1

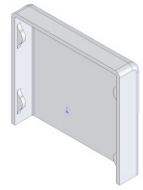
V2101R
X1



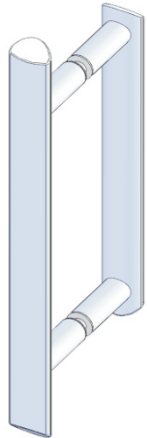
V2104
X2



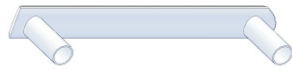
V6INPVTC
X1



V6INPVBC
X1



S6HDLE
X1



S6HDLEP1 X1



S6HDLEP2 X1



S6HDLEP3 X2



S6HDLEP4 X2



S6HDLEP5 X4



S6HDLEP6 X2



S6HDLEP7 X1



V2115
X12



V2114
X12



V6113
X6



V4111
X6



V4110
X6



V6115
X1



3mmALKEY
X1

Tools Required

- 6mm masonry drill bit
- Power drill
- Quality Silicone
- Pencil
- Tape Measure
- #2 Philips Headscrew driver
- Spirit level with horizontal and vertical level indicators

IMPORTANT - Installation site

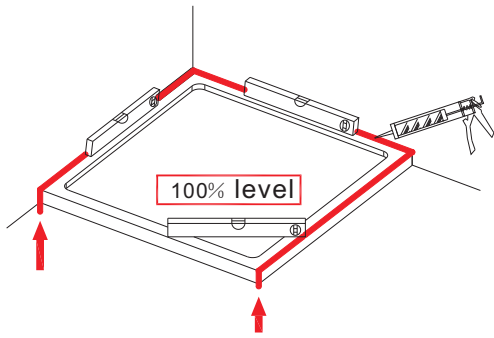
1. Ensure the top surface of the shower tray on which the enclosure will be installed is level in every direction.
2. The tiles or other wall finishing should be effectively sealed at the tray edges.
3. Tiles should extend at least to the corners of the tray and a minimum of 2.0 metres from the top of the tray.

PROCEDURE

TRAY MUST BE 100% LEVEL IN ALL DIRECTIONS

Ensure the shower tray is level in all directions and is properly sealed to the wall. The wall must be tiled down to the top edge of the tray. **Do not angle out bottom tile.**

TRAY MUST BE SEALED FULLY AROUND WHERE THE TRAY MEETS THE WALL.



Step 1.

Step in wall profile 20mm from the front edge of the shower tray. Ensure wall profile is plumb.

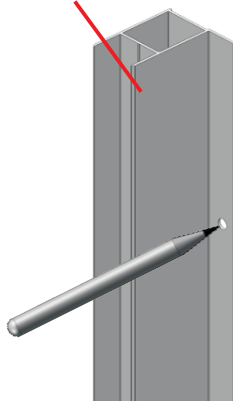
Do not silicone behind wall profile to wall, see sealing section.

Step 2.

Mark the position for fixing the wall profile to wall. (Do not fix the wall profile yet)

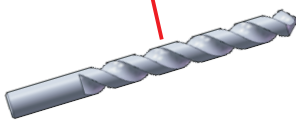
2

S6S01

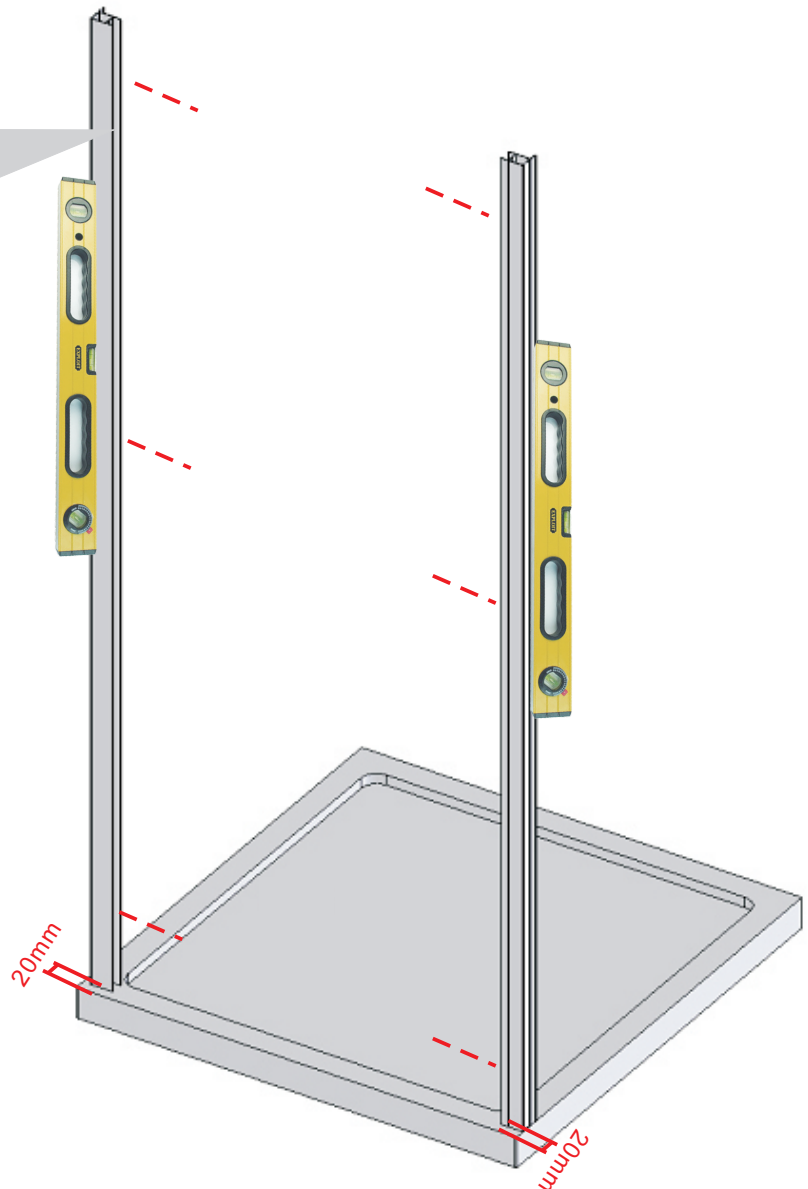


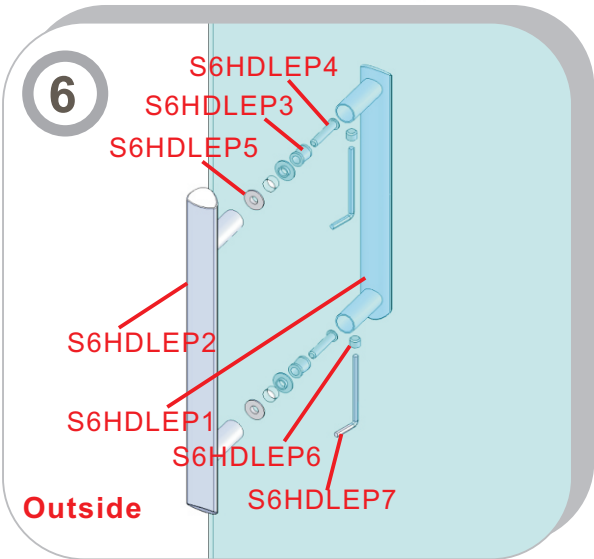
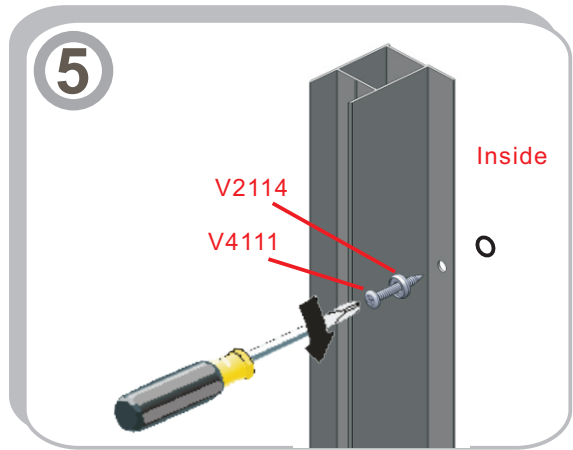
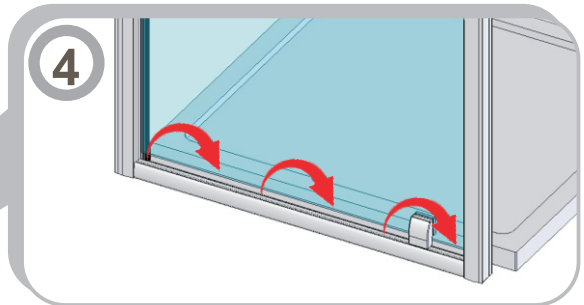
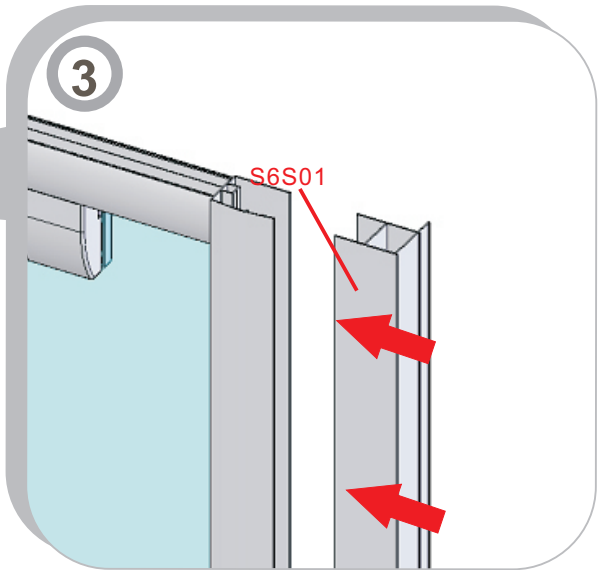
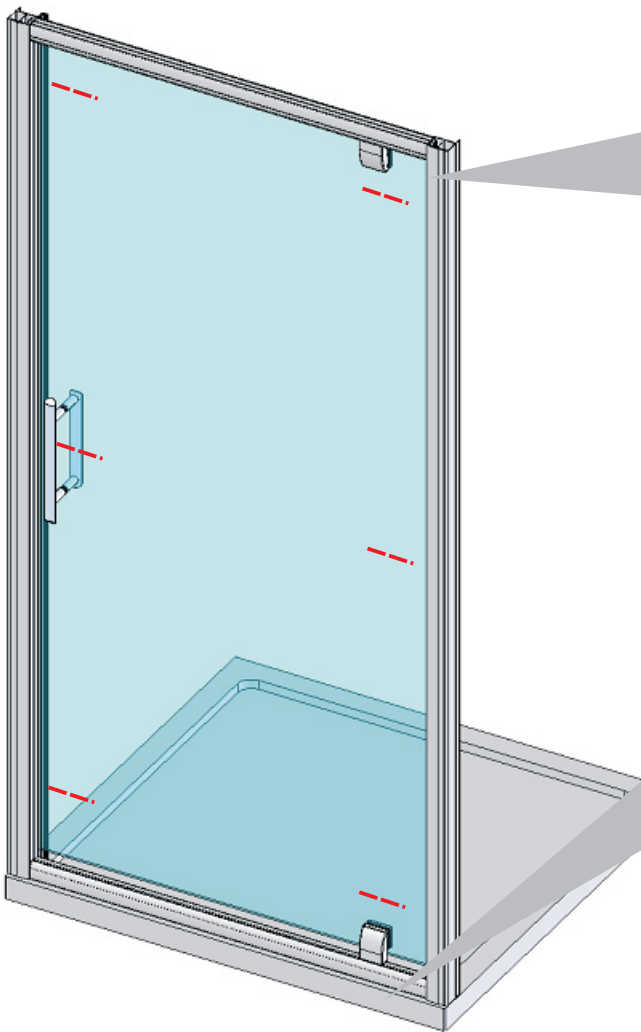
Inside

Ø6mm masonry
drill bit



V6113



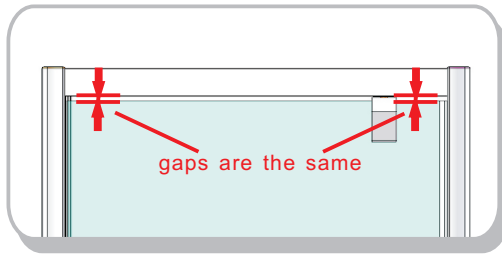


Step 3.
Insert the wall profiles into both sides of door frame.

Step 4.
Position the door onto tray.

Step 5
Fix the wall profiles to the wall using **V4111**.

NOTE: If you are not close to the minimum adjustment, fix the wall profile to the wall on the magnetic upright profile side first.



IMPORTANT: Do not go on to Step 10 until you confirm the moving panel is square in the door frame. Tip: Use packaging spacer if required to help.

Step 7.

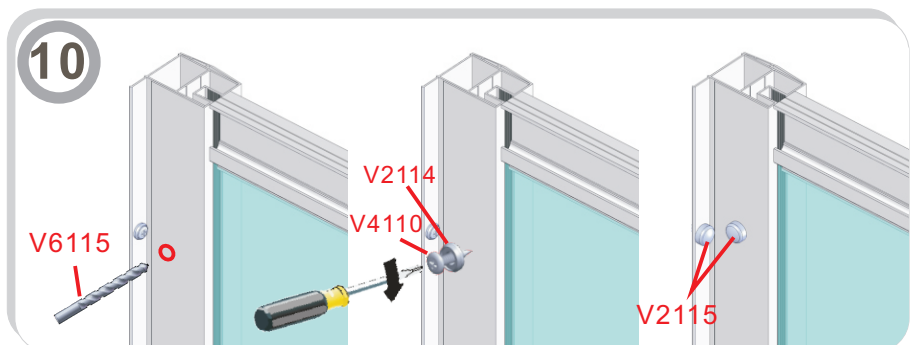
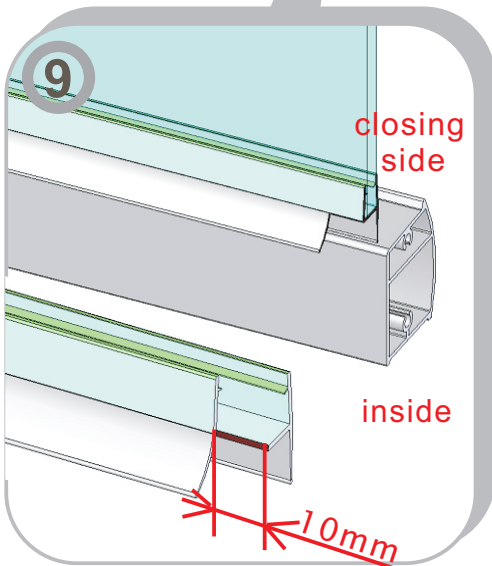
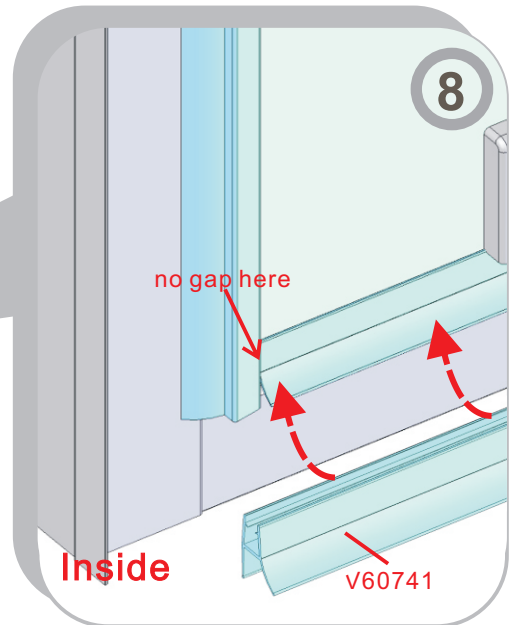
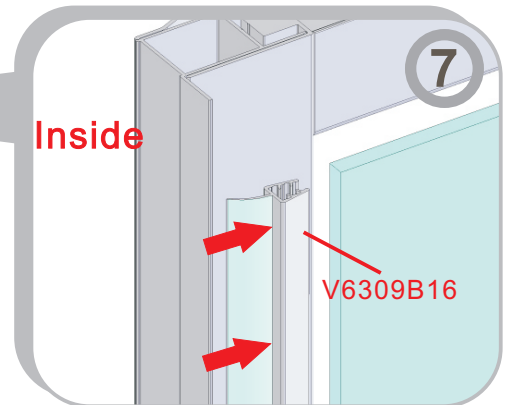
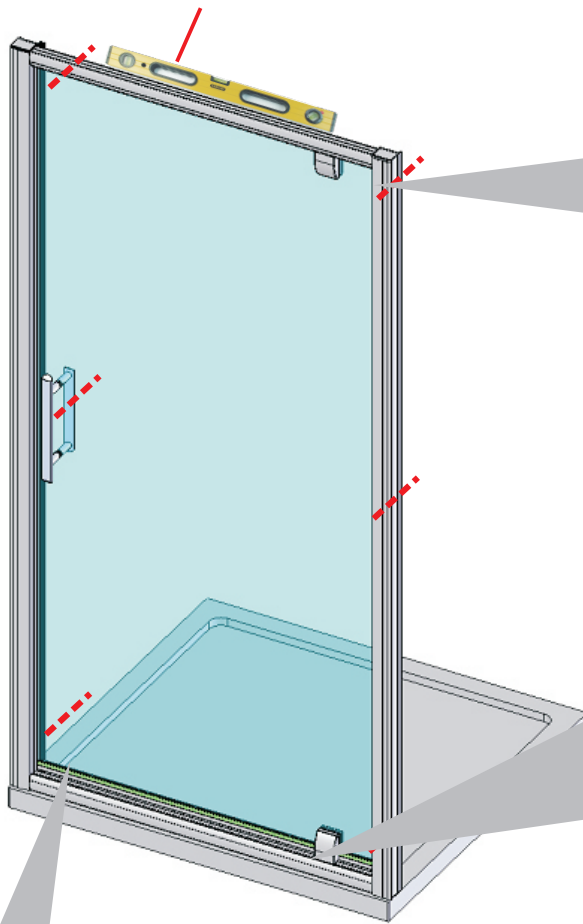
Fit the upright seal to back of the moving panel.
Note: Ensure the seal is fitted as shown and the top end of seal is parallel with top end of moving panel.

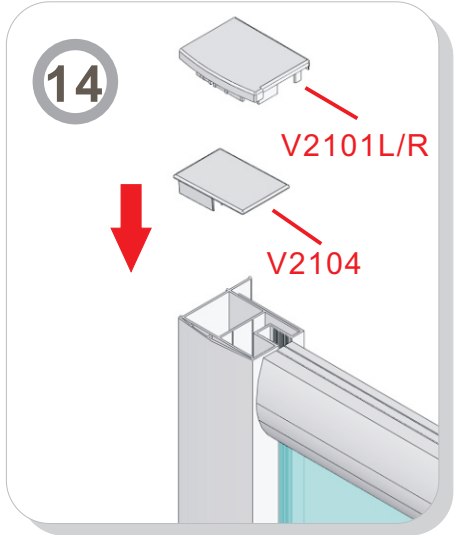
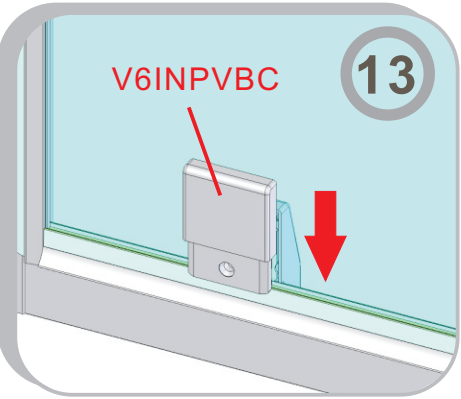
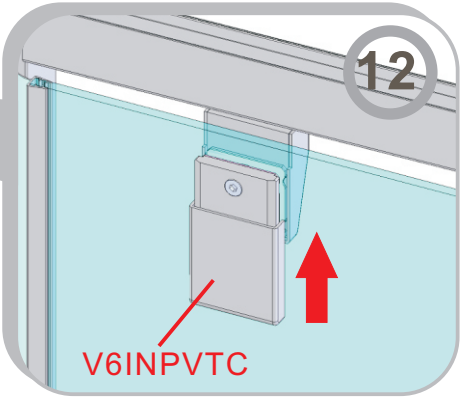
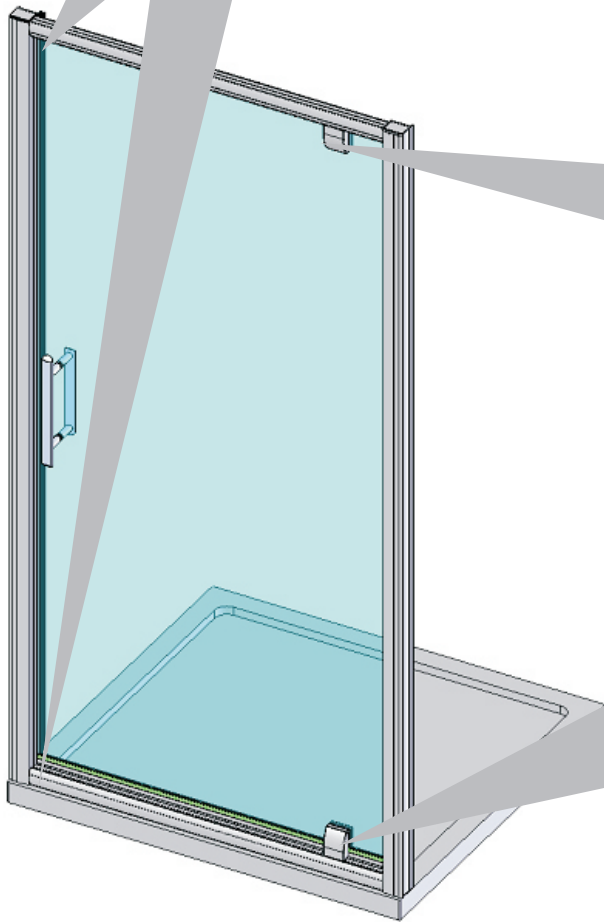
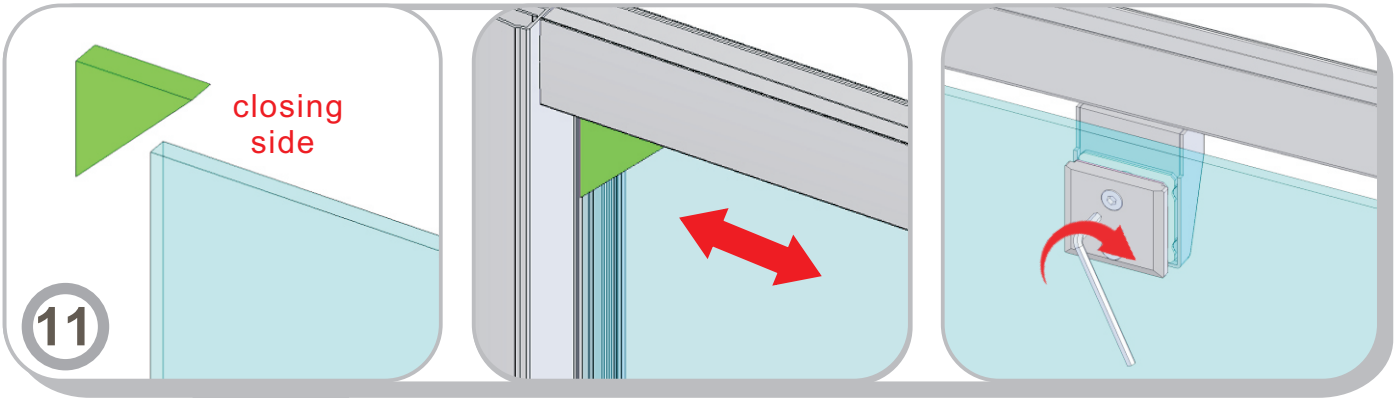
Step 8.

Fit bottom water seal to bottom of moving panel.
Note: Ensure the seal is fitted as shown with deflector fin to inside.

Step 9

Cut the soft fin of bottom water seal at the end closing with upright seal.
Note: Ensure the fin is facing to the inside.





Step 11.
If the door is not closing correctly, you can adjust the door using glass protector as shown, then fix the pivot.
First push protector onto glass panel corner at closing side at top and bottom. Loosen pivot (Do not remove screw). Push glass fully to closing side. Tighten pivot, remove protector. Check gaps are even top and bottom as in picture on page 5.

Step 15.

Use a quality silicone sealant and applicator gun to seal the finished door.

SEALING INSIDE

Seal top to bottom on the **INSIDE** between the wall profile and the wall.

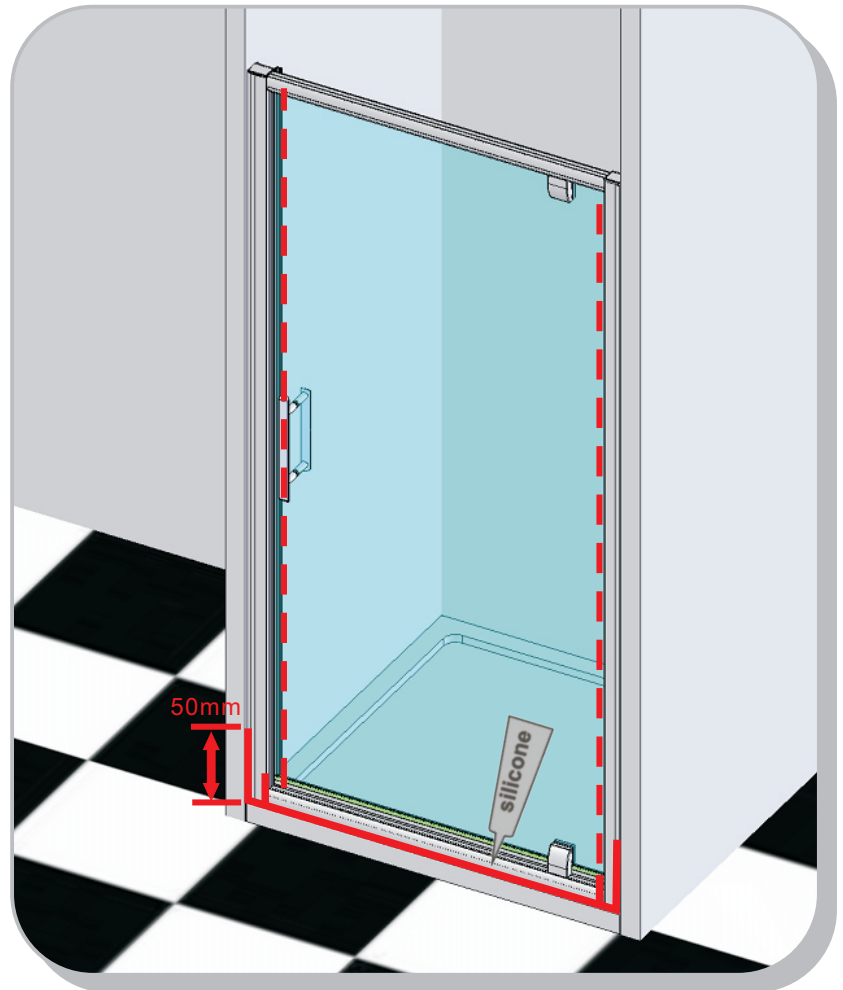
Note: Do not apply sealant on the inside of the tray.

SEALING OUTSIDE

Seal only along bottom on the **OUTSIDE** between glass/rail/profile and the tray and approx 50mm up between the wall profile and the wall. Seal joint between bottom profile and upright profile.



DO NOT use the enclosure for 24 hrs after sealing.



TROUBLE SHOOTING GUIDE

DOOR NOT ALIGNING

1. Is the tray 100% level? (see page 3)
2. Have the walls been checked at different levels to ensure consistency?
3. Are the fixed panel wall profiles stepped in 20mm from the edge of the tray? (see step 2)
4. Do the finished tile measurements on the tray comply with the adjustment listed on the label and in the specifications book?
5. Is the door closing correctly, adjust pivot. (see step 11)
6. If noise from pivot when opening/ closing, adjust pivot to ensure it is straight. (see step 11)

DOOR LEAKING

1. Is the upright seal fitted correctly? (See step 7 & 8 & 9)
2. Is the door sealed correctly? (see step 15)
3. Is the bottom seal fitted correctly and cut correctly? (See step 8 & 9)