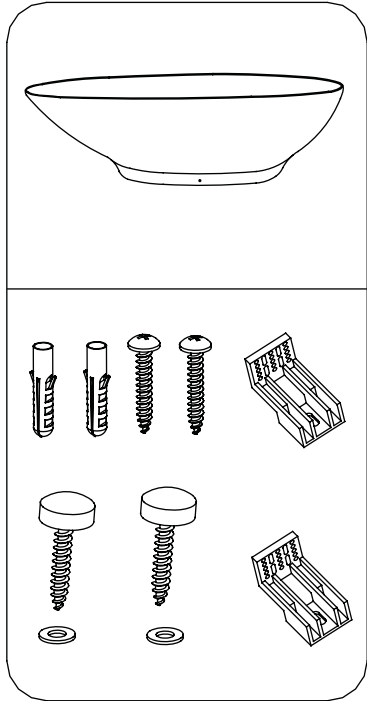


Parts supplied:



Important

- Please unwrap the bath and check it carefully to ensure it has not been damaged in handling or transport.
- Please check that all parts have been supplied.
- Assemble bath on a mat to protect against damage to bath surface.
- Please do not remove the old fixture before you unpack and inspect the new unit.
- Store the bath in a safe place until you begin installation to avoid damage.
- Any installation should be carried out by a qualified tradesman with knowledge of statutory plumbing requirements in your area.
- This product requires a two person lift – use proper lifting techniques.
- This installation guide does not include details of waste connection; final decision about installation of waste connection should be taken by a suitably qualified person.

Care and Maintenance

Repairing a scratch: If any scratches occur during installation these can be removed by rubbing with a 1500+ grit waterproof abrasive paper and water. Re-polish the surface afterwards using a neutral automotive colour restorer or household metal polish. For best results limit sanding to the smallest possible area around the scratch.

It may be possible to polish very fine scratches away without using abrasive papers: scrubbing gently with a soft brush or plastic pad (not metal scouring pad) and a mildly abrasive cream cleaner. Afterwards scrub the whole area with plenty of clean water and re-polish as before.

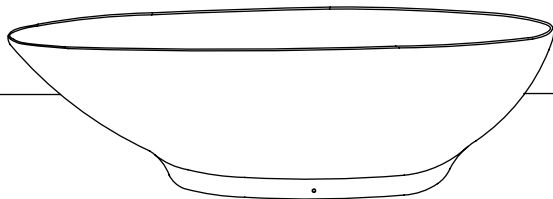
It is advisable always to run in some cold water before turning on the hot tap.

Extreme heat such as that generated by cigarettes or portable heaters can damage Acrylic surfaces. Do not use such items near your bath.

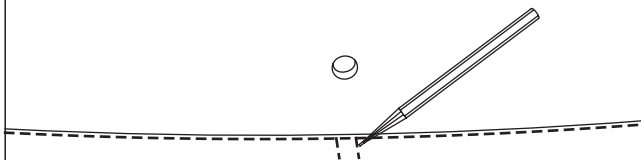
Everyday cleaning

We recommend a non-abrasive bathroom cleaner.

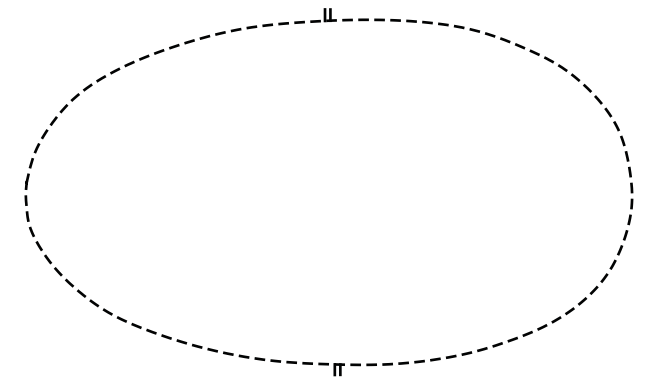
- 1** Place the Teardrop bath in the desired position in the bathroom.
The floor which the bath sits on must be level.



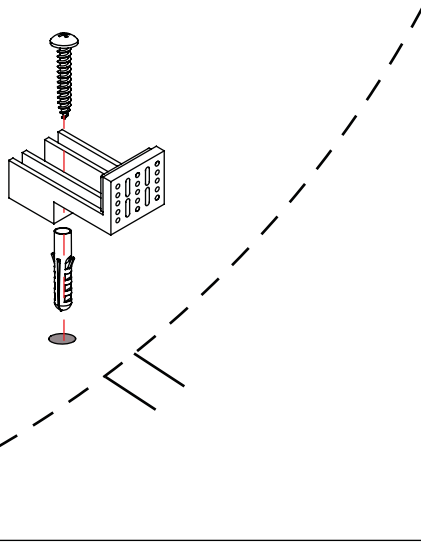
- 2** Draw a line around the base of the bath to mark the location on the bathroom floor.
At this point you will see a small drilled hole on each side of the base.
Draw a line on the bathroom floor at the same point as these holes to aid location of the fixing brackets provided.



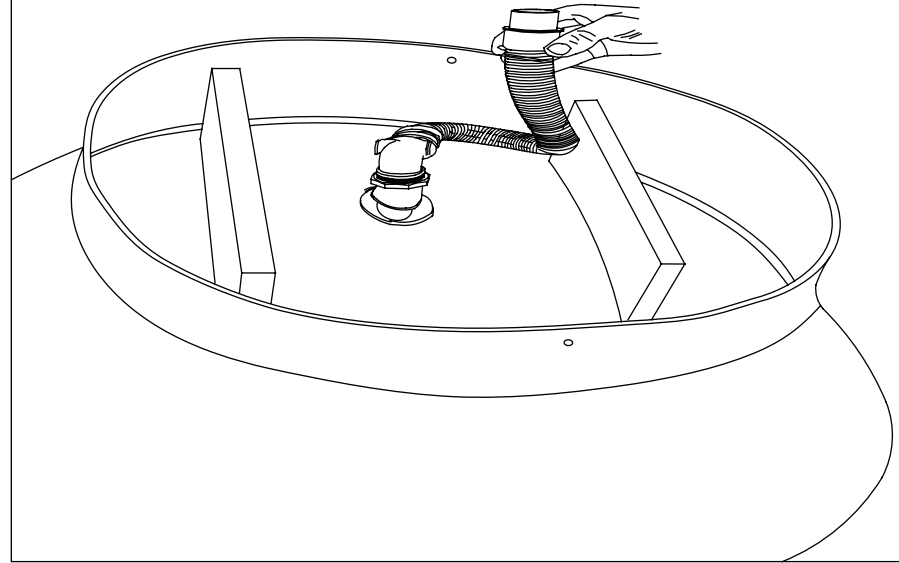
- 3** Now remove the bath to a safe location leaving the location markings on the bathroom floor.



- 4** Place the grey bracket approximately 10mm in from the outer line on both sides of the outline drawn on the bathroom floor and fix to the floor with the bolt provided at the drilled hole location points of the bath ensuring that it is not too tight to enable the bracket to slide if necessary.

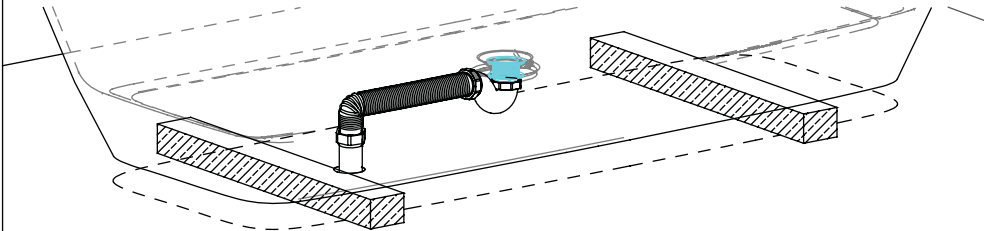


- 5** Now complete the waste connection. A flexible waste connection can be used for direct under floor plumbing.
NB Under floor access required for plumbing of bath waste.



NB. Not a Teardrop bath, diagram below to illustrate the connection method only!

- 6**
- Place the bath on two wooden blocks over the waste connections.
 - Connect the waste. Fill the bath with water and check for leakage.



- 7** Once the bath has been plumbed in and fully tested for leaks, the final fix can now take place.

