

# INSTALLATION GUIDE

## SLIDING DOOR



### IMPORTANT

Thank you for choosing Merlyn. Please familiarise yourself with the fitting instructions before commencing fitting.

1. Check that you have the tools required.
2. Check that the installation site is compatible with size of door supplied
3. Check all the enclosure components.
4. Check that the installation kit is complete

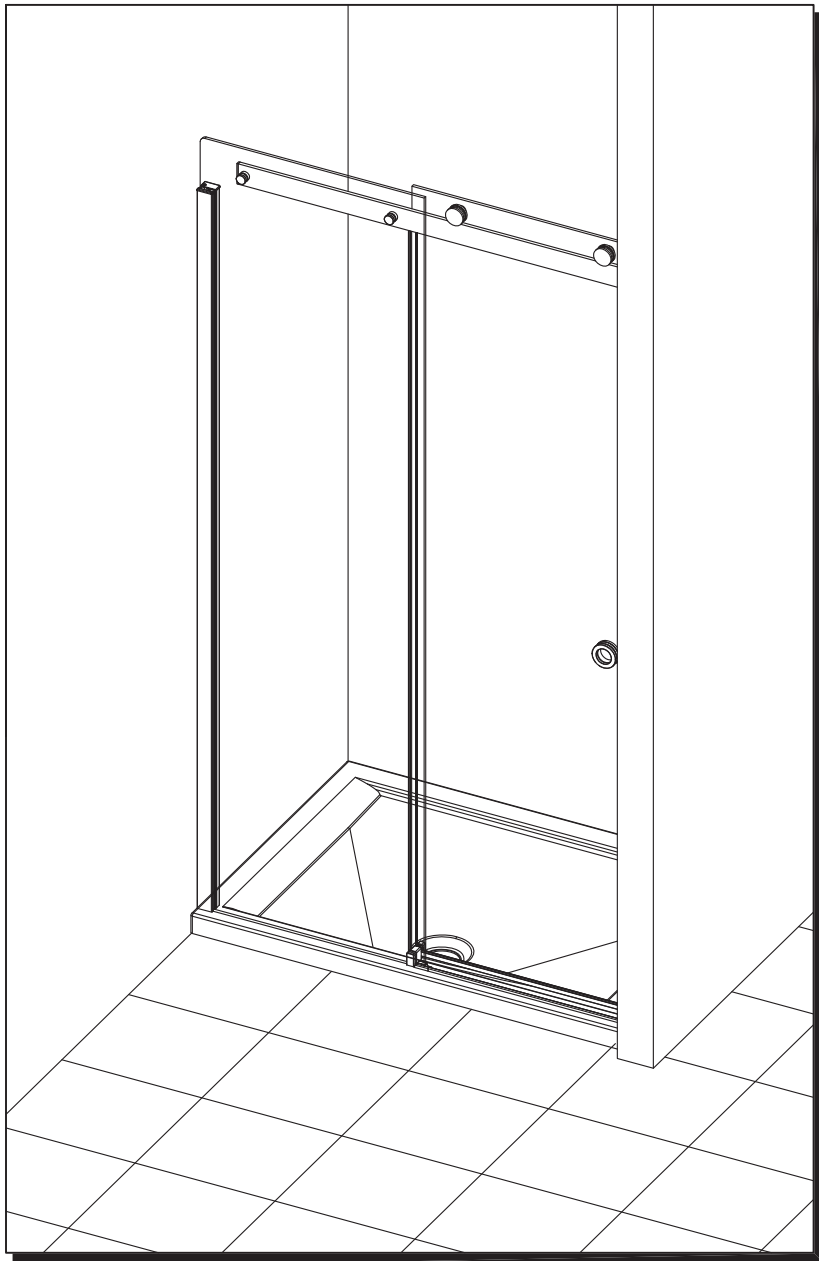
**DO NOT attempt** to install the product unless you can tick ALL 4 boxes as satisfactory.

The wall plugs supplied with the installation kit are for use in solid walls. Hollow or 'stud-partition' walls will require alternative fixings. Please consult a hardware supplier for the correct type.

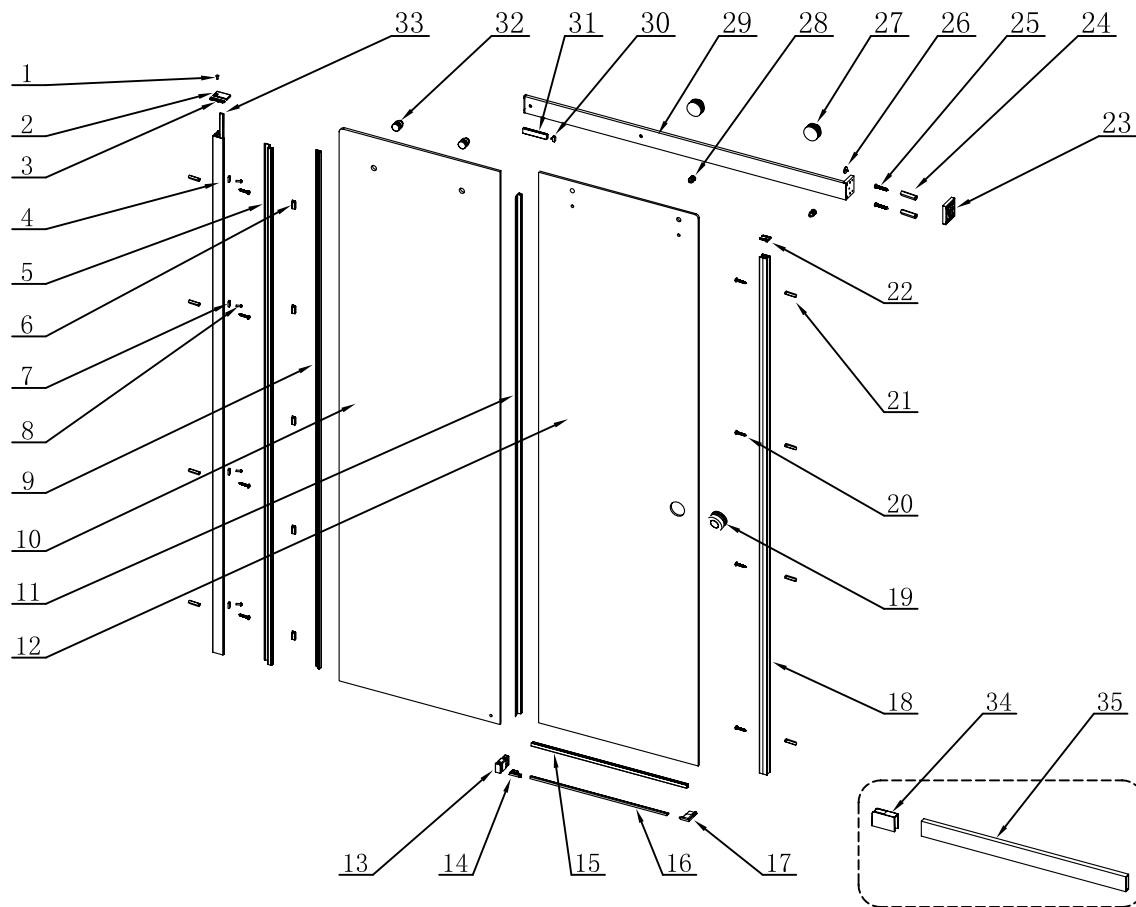
It may also be necessary to consult your tiling supplier about the correct method for drilling your tiles.

**USE SAFETY EYEWEAR WHEN DRILLING**

Any parts missing or damaged must be reported to your supplier within 5 days of purchase. Inspect shower enclosure before fitting. No claims will be acceptable after product has been installed.



# COMPONENTS AND BOX CONTENTS


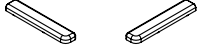

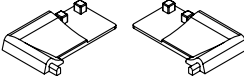
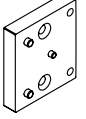






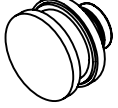






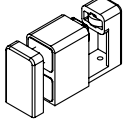



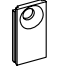
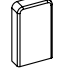
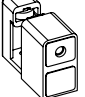
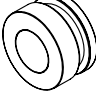








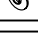
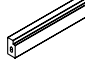


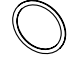



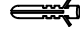




No.	Description	QTY	Part No.	No.	Description	QTY	Part No.
1	Cover cap fixing screw ST4*16	1	ST4*16G	18	Closing profile	1	10SCLPSET
2	Wall profile inside cover cap L/R	1	10S14L/R	19	Handle	1	10S10
3	Wall profile outside cover cap L/R	1	10S15L/R	20	Wall fixing screws ST4*30	8	ST4*30B
	Complete wall profile (10mm) 1950 - includes 4, 5,6,7,8,33	1	10SWPSET1950	21	Standard Wall plug 6*30	8	6*30WSER
4	Wall profile - Main section(10mm)	1	10S01AP1950	22	Closing profile cover cap	1	10S26
5	Wall profile Inside section (10mm)	1	10S02AP1950	23	Top rail extension block	1	10S29
6	Nylon clip - wall profile	5	10S27	24	Top rail wall plug 7*36	2	ST4 7*36PLUG
7	Clamping block for wall profile	4	10S22	25	Top rail wall fixing screws ST5*50	2	ST5X50G
8	Clamping screws M5*16	4	M5*16R	26	Top rail bump stopper	1	10S12
9	Trim strip - 1950	1	10S03AP1950	27	Rollers	2	10S18
10	Fixed Panel	1	A	28	Glass locating Pin	2	10S16
11	upright seal	1	10S09P1970	29	Top Rail	1	B
12	Door Panel	1	C	30	Roller stop end L/R	1	10S06BL/R
13	Glide (10mm) - complete	1	10S11A10	31	Roller stop rubber	1	10S06AP60
14	10mm footplate	1	10S2310L/R	32	Rail to glass fixing part	2	10S17
15	door panel bottom seal	1	10S10BP660	33	Wall profile clamping seal	2	10S07P1950
16	Luna rail	1	10S28P588	34	180 degree plastic piece for the new rail	1	10S180DPC
17	Closing Post Footplate	1	10S25L/R	35	New luna rail	1	10SBNR635

**Note:Further part details for fixing kit available on page 2**

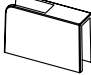


**Fixing Kit Components**

*(Parts shown are not to scale)*

 <p>10S14L x 1</p> <p>10S14R x 1</p>	 <p>10S15L x 1</p> <p>10S15R x 1</p>	 <p>10S2310L x1</p> <p>10S2310R x1</p>	 <p>10S25L x1</p> <p>10S25R x1</p>	 <p>10S29 x1</p>
 <p>10S17 x 2</p>  <p>10S17P1 x 2</p>  <p>10S17P2 x 2</p>  <p>10S17P3 x 6</p>  <p>10S17P4 x 2</p>  <p>M8*30HHCS x 2</p>	 <p>10S18 x 2</p>  <p>10SRINF x 2</p>  <p>10SOFWSWS x 2</p>  <p>10SWSFGL x 2</p>  <p>10SWHEEL x 2</p>  <p>M8*30HHCS x 2</p>  <p>10SWSFBR x 2</p>	 <p>10S11A 10 x 1</p>  <p>M4*4GHHS x 1</p>  <p>10S11AP5 x 2</p>  <p>10S11AP8 x 1</p>  <p>10S11AP1 x 1</p>  <p>10S11AP4 x 1</p>  <p>10S11AMB x 1</p>		
 <p>10S10 x 1</p>  <p>10S03 x 1</p>  <p>10S19P3 x 1</p>  <p>10S19P1A x 1</p>  <p>10S19P2A x 1</p>	 <p>10S16 x 2</p>  <p>M5*20HHCS x 2</p>  <p>10S16P1 x 2</p>  <p>10S16P2 x 2</p>  <p>10S16P3 x 4</p>	 <p>10S06AP165 x 1</p>  <p>10SDISC x 1</p>  <p>10S19P4 x 1</p>  <p>10S19P1A x 1</p>		
 <p>ST5*50G x2</p>  <p>ST4*30B x 8</p>  <p>ST4*16G x 1</p>  <p>6*30WSER x 8</p>  <p>ST4 7*36PLUG x 2</p>	 <p>10S26 x1</p>			

**Tools Required**

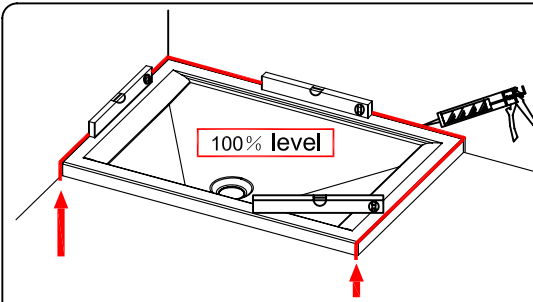
- 6mm and 7mm masonry drill bit
- Power drill
- Quality Silicone
- Pencil
- Tape Measure
- #2 Philips Head screw driver
- Spirit level with horizontal and vertical level indicators

 <p>10S180DPC x 1</p>	 <p>5mmALKEY x 1</p>	 <p>3mmALKEY x 1</p>
--	---	---

**IMPORTANT - Installation site**

1. Ensure the top surface of the shower tray on which the enclosure will be installed is level in every direction.
2. The tiles or other wall finishing should be effectively sealed at the tray edges.
3. Tiles should extend at least to the corners of the tray and a minimum of 2.1 metres from the top of the tray.

## PROCEDURE



### TRAY MUST BE 100% LEVEL IN ALL DIRECTIONS

Ensure the shower tray is level in all directions and is properly sealed to the wall. The wall must be tiled down to the top edge of the tray. **Do not angle out bottom tile.**

### TRAY MUST BE SEALED FULLY AROUND WHERE THE TRAY MEETS THE WALL.

#### Sep 1.

Step in the wall profile **10SWPSET1950** 20mm from the front edge of the shower tray. Ensure the wall profile is plumb.

**Note:** Do not fit the closing wall profile yet.

**Note:** Do not remove protective plastic on outside of wall profile until just before sealing.

**Note:** Before fitting, remove protective plastic on the outside and inside of the top rail.

#### Step 2.

Mark the position for fixing the wall profile to the wall. **IMPORTANT:** must mark the centre of all slots in wall profile as the extra will be needed for adjustment later on.

#### Step 3.

Drill hole (**THROUGH THE CENTRE OF THE SLOT**) with 6mm masonry drill bit and insert the wall plugs **6\*30WSER**.

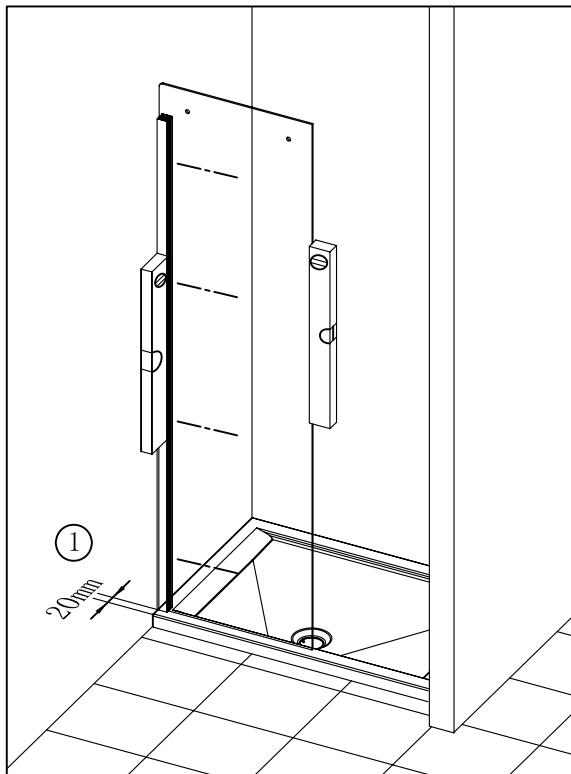
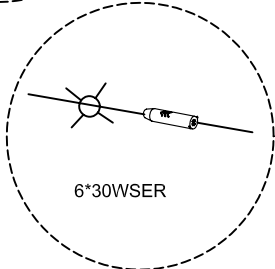
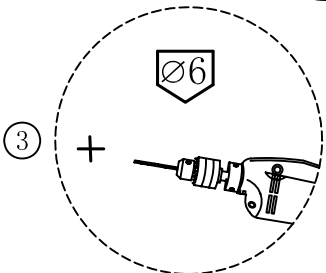
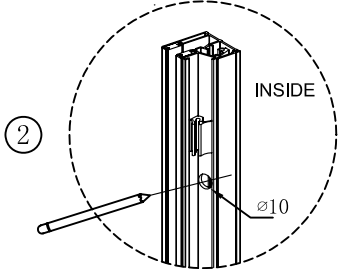
#### Step 4.

Fix the wall profile to the wall through the centre of the slot with screws **ST4\*30B**.

#### Step 5.

Insert the fixed panel fully into the wall profiles (when slotted in fully - should be no gap behind the glass) ensuring footplate **10S2310L/R** is on the bottom corner of the fixed panel.

Note: curved fixed panel footplate to have small gap on inside.

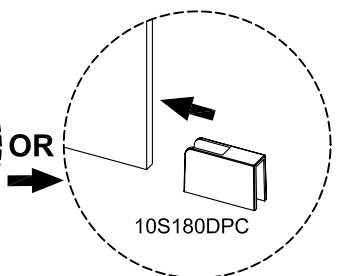
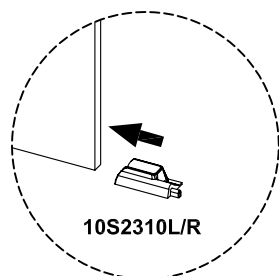
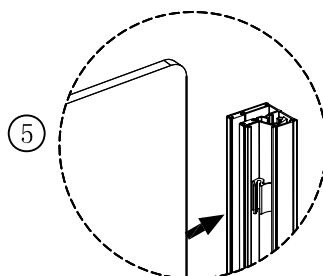
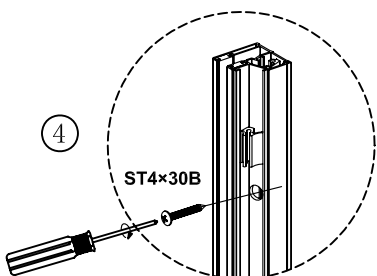


**NOTE: Only silicone the wall profile after fixing to the wall (see sealing section). Do not silicone on the back of the wall profile before fixing to the wall.**

#### OPTIONAL RAIL IF USING POWER SHOWER CLOSE TO MOVING PANEL.

IF you are using a Power shower that will be directed towards the door or bottom of the door panel, we would advise using this higher bottom rail instead of the standard luna rail **10S28P588** and footplates **10S2310L/R**, see page 3, 6 & 7.

Seal the luna rail to floor/ tray tightly using silicone, and seal one side to wall using silicone. Cut to length only of required, **DO NOT** cut too short.



**Step 6.**

Fix the top rail (slot on inside to bottom) to the fixed panel by inserting part **10S17P1** through the glass from the outside, and positioning chrome disc **10S17P2** between the rail and glass and fix with screw **M8\*30HCS** and 5mm hex key. Ensure the 3 washers are present as shown.

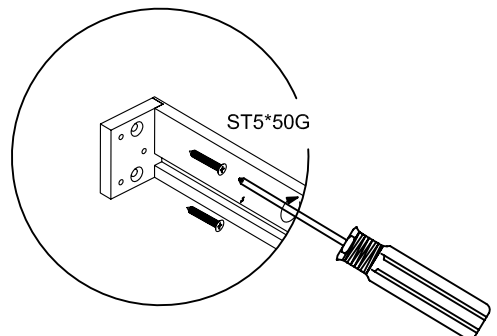
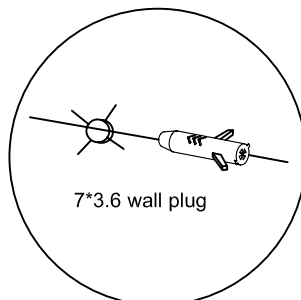
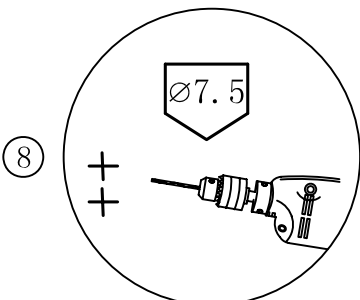
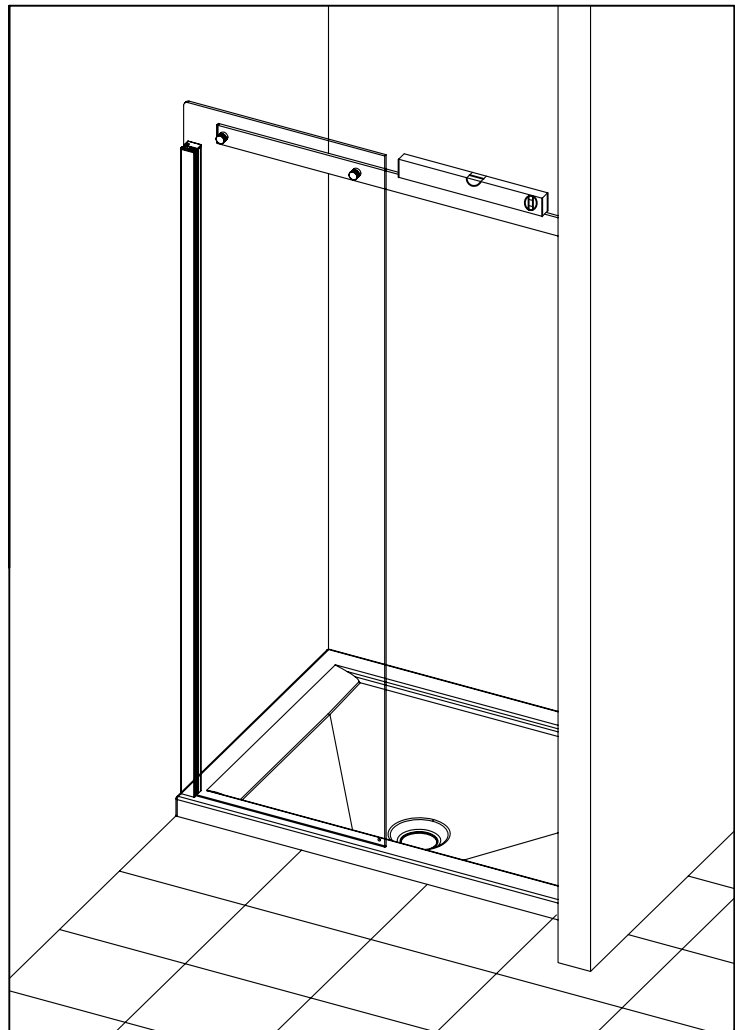
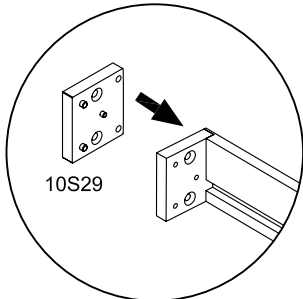
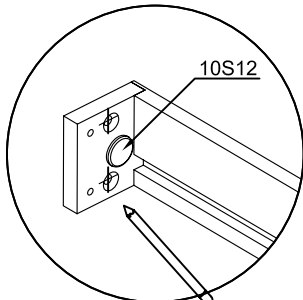
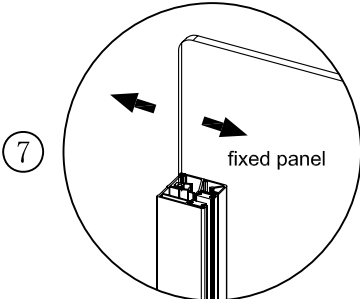
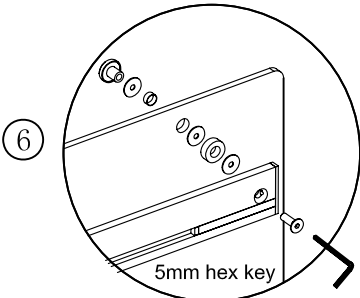
**Step 7.**

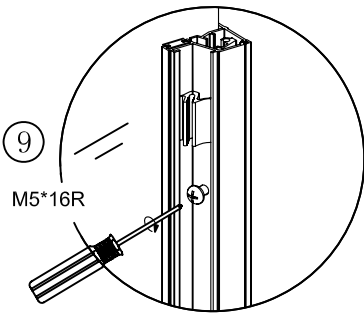
Ensure the top rail is level and glass panel is parallel to the outside of the tray. Mark position for fixing the rail to the wall (through countersunk holes). Ensure glass stopper **10S12** is present in the rail block.

**Note** You may need to adjust the glass in or out of the wall profile to ensure the rail reaches the wall. Use top rail extension block **10S29** if needed. Ensure fixed panel is vertical after adjusting.

**Step 8.**

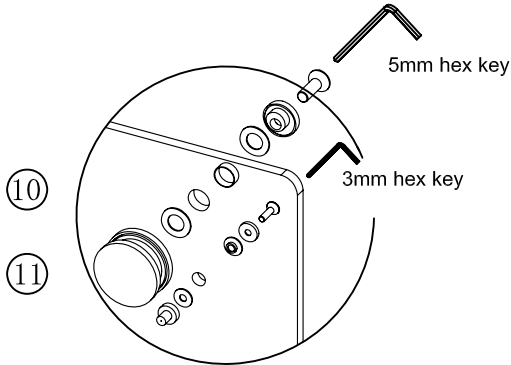
Remove rail and drill hole in wall using 7mm masonry bit. Insert wall plugs **ST4 7\*36PLUG**. Fix rail to wall using screws **ST5\*50G**. Tighten screw **M8\*30HCS** connecting glass to rail.





**Step 9.**

Tighten wall profile onto the glass in 2 places until final adjustment is completed



**Step 10.**

Attach the rollers **10SWHEEL** to the moving panels by inserting screw **M8\*30HHCS** through the chrome disc **10SRINF** and glass and attach to the roller. Ensure washers are present.

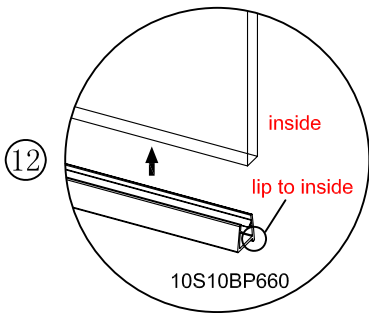
**Step 11.**

Attach the glass locating pin **10S16** by inserting screw **M5\*20HHCS** through chrome disc **10S17P2** and the glass and attach to the locating pin **10S17P1**. Ensure washers are present.

**Note:** Ensure rollers and locating pin are positioned so the outside label on the glass panel will be on the outside when the door is hung on the top rail.

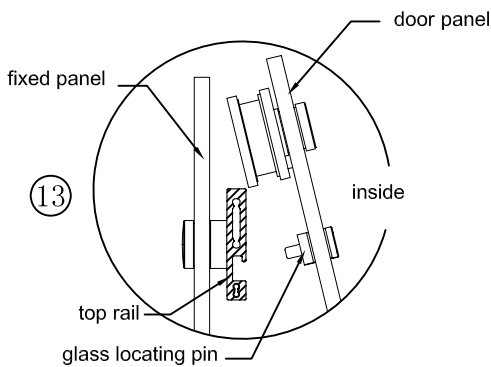
**Step 12.**

Attach the bottom seal **10S10BP660** to the bottom of the moving panel (lip on seal to inside). **Note:** If later in the fitting, you need to reduce the front of the bottom seal to allow the door panel to fit into the upright seal, do so. Seal may need to be adapted to size.



**Step 13.**

At the door opening, from the inside (with bottom of door angled towards back wall) slot the top rollers onto the rail (where opening is) ensuring the locating pin goes into the slot on the rail. **Note:** Ensure the locating pin does not scratch the inside of the top rail when fitting the moving panel.



**Step 14.**

Assemble bottom glide housing **10S11AMB** onto the bottom of the door panel and position at the corner of the fixed panel. Insert screw **M6\*25CSCR** through plate **10S11AP1**, washer **10S11AP5** and glass and into the glide housing. Slot on cover cap **10S11AP4**.

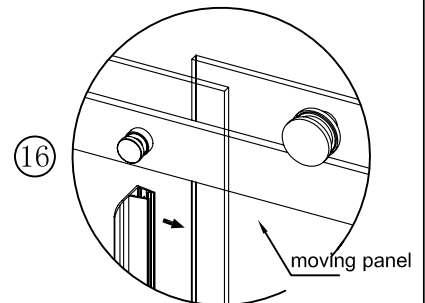
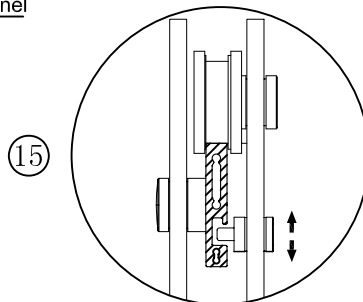
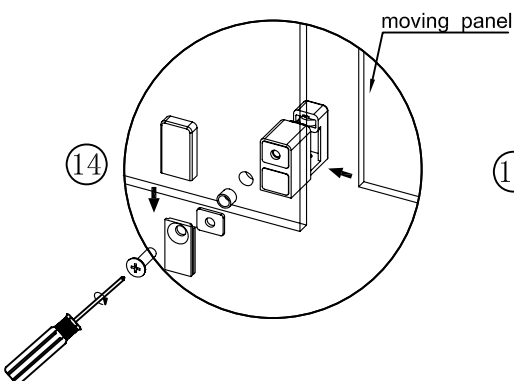
**Step 15.**

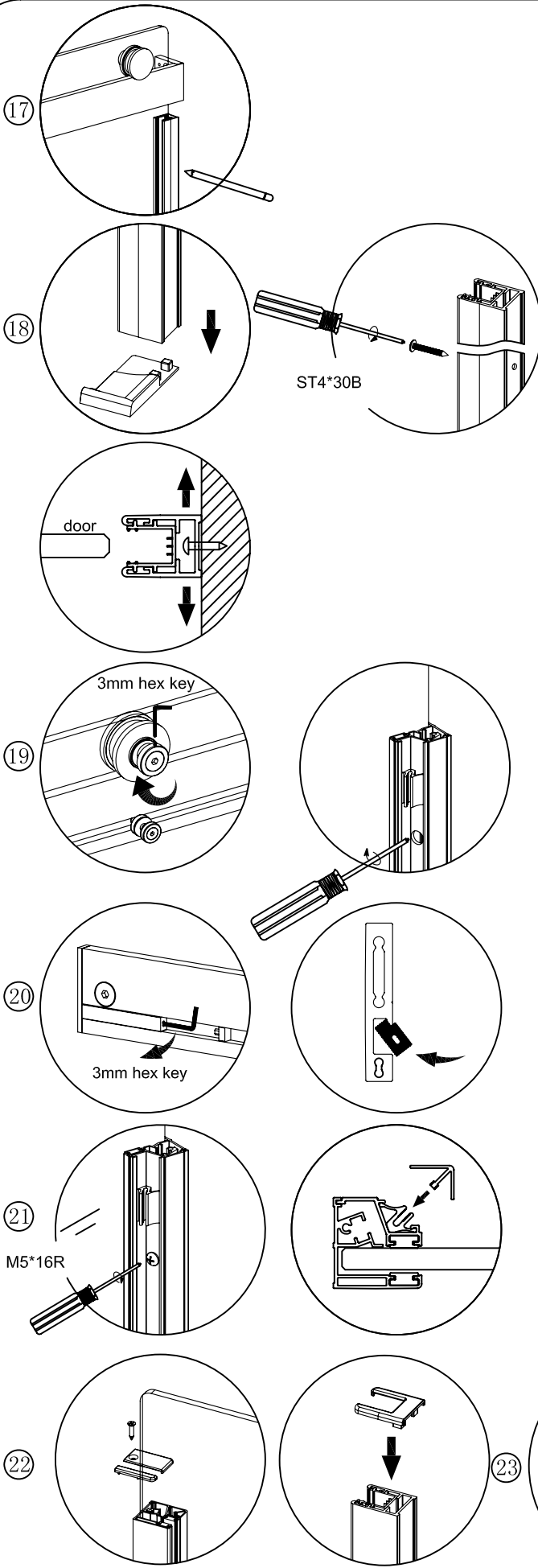
Temporarily adjust locating pin so it is in the middle of the slot on the rail

**Step 16.**

Fit upright seal **10S09P1970** to the back of the door panel. The upright seal should fit on top of the bottom seal fitted in step 12.

**Option** – If the upright seal **10S09P1970** on the back of the door is hitting the glide **10S11AMB**, cut 25-30mm of the bottom of the seal so it sits level with the top of the glide.





**Step 17.**

Push the closing profile onto the front edge of the door panel and close against the wall. Hold profile and mark line down outside of profile on wall from top to bottom.

**Step 18.**

Place footplate **10S25L/R** on the bottom of the closing post and mark position for fixing the closing profile to the wall. Drill hole with 6mm masonry drill bit and insert wall plug **6\*30WSER**.

**Note:** Mark and drill through the centre of the hole in the closing profile to allow for further possible adjustment. Fix with screws **ST4\*30B**. Ensure door closes into centre of the closing profile. If not, loosen where fixed to wall and adjust in or out.

**If using higher luna rail, do not use footplate on closing profile.**

**Step 19.**

The rollers can be adjusted to alter the height of the door panel and the closing position. Loosen screw and rotate inner disc **10SRINF** (hole in the roller inner disc shows the high point of the roller - this can be used as a lever with a hex key to turn). When adjustment is finished, tighten fixing to wall. Ensure locating pin is still central in the slot and tighten.

**Step 20.**

The closing point on the moving panel can be changed so the door handle does not go fully behind the fixed panel. **FULLY** insert the 3mm hex key into the rubber stop (slide plastic cap forward) and use as a lever to gently pull out the stop – adapt to required length and re- insert. Alternatively push in the longer roller stop **10S06AP165** from the bottom.

**WARNING: BY USING THE BIGGER OPENING SPACE AND ALLOWING THE MOVING PANEL TO FULLY OPEN, THE HANDLE WILL GO FULLY BEHIND THE FIXED PANEL.**

**BE CAREFUL NOT TO INJURE YOUR HAND!!**

**NOTE:** If you want a bigger opening space, we advise you to use the handle **10S03**

**Step 21.**

Tighten all clamping screws in the wall profile. Clip on wall profile trim strip **10S03AP1950** to inside of wall profile. Remove the protective layer on the outside of the wall profile.

**Step 22.**

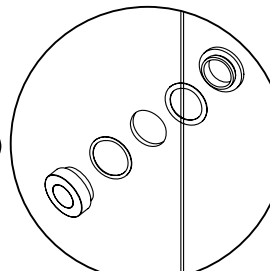
Insert outer wall profile cover caps (use a dab of silicone underneath to hold) and fix inside cover caps with screw **ST4\*16G**. Insert cover cap **10S26** to the top of the closing profile (use a dab of silicone underneath to hold).

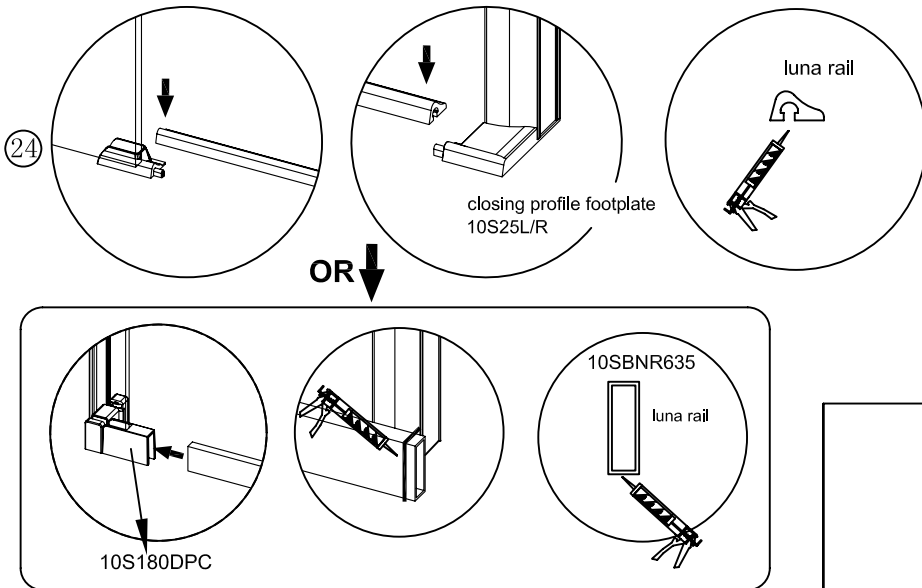
**Step 23.**

Attach outer handle **10S03**– ensure washers are present on both sides of the glass.

**Alternative option 1-** Instead of using the handle **10S03**, you can use the handle **10S19P4**, but need to change the roller stop to the longer one.

**Alternative option 2 -** With handle **10S19P4** you can insert disc **10SDISC** into the middle of the handle to blank off the hold.  
**Note:** Handle cannot be removed once fitted tightly.





**Step 24.**

Fit Luna rail **10S28P588** to footplates. Use a small bead of silicone along the underneath of the rail to fix to the tray. Luna rail may require adapting to length.

**Step 25.**

Use a quality silicone sealant and applicator gun to seal the finished door.

**SEALING INSIDE**

Seal top to bottom on the **INSIDE** between the wall profile and the wall.

**Note:** Do not apply sealant on the inside of the tray.

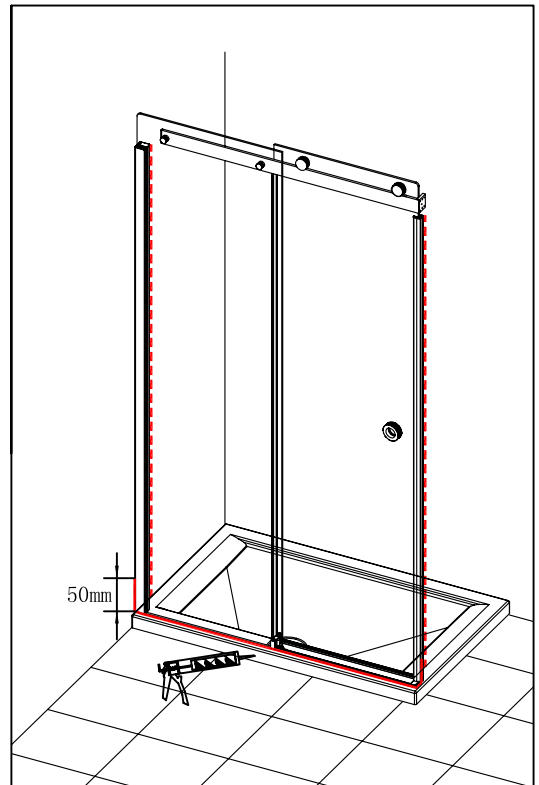
**SEALING OUTSIDE**

Seal only along bottom on the **OUTSIDE** between glass/rail/profile and the tray and approx 50mm up between the wall profile and the wall.

**24 HRS**



**DO NOT use the enclosure for 24 hrs after sealing.**



**TROUBLE SHOOTING GUIDE**

**DOOR NOT ALIGNING**

1. Is the tray 100% level? (see page 3).
2. Have the walls been checked at different levels to ensure consistency?
3. Are the fixed panel wall profiles stepped in 20mm from the edge of the tray? (see step 1).
4. Do the finished tile measurements on the tray comply with the adjustment listed on the label and in the specifications book?
5. Has the wall profile or closing profile been adjusted in or out to ensure door closes properly? (see step 18).
6. Are the rollers properly adjusted? (see step 19)
7. Is the top rail level? (see step 7)

**DOOR LEAKING**

1. Is the bottom seal fitted on the glass panel? (see step 12)
2. Is the upright seal fitted? (see step 16)
3. Is the door sealed correctly? (see step 25)
4. Does the door seal need to be reduced in length so the door closes fully into the closing profile? (See step 12)
5. If door leaking under moving panel – Use the alternative option Higher luna rail as in page 3, 6& 7.

**OTHERS**

1. Door is hitting the bottom of the glider - adjust rollers to raise door (see step 19)
2. Opening space is too small – need to reduce the roller stop length (see step 20)
3. Rubbing/scratching noise when door is being opened and closed – locating pin is not adjusted. Must be in centre of slot on the top rail (See step 14)

**SERIES 10 SLIDING DOOR**

WE ARE SURE YOU WILL BE PLEASED WITH YOUR NEW MERLYN SHOWER DOOR.

Where a shower door has been installed contrary to these instructions, Merlyn cannot accept responsibility for any loss or damage, however caused, and any on-site service may incur a charge.

[www.merlynbathrooms.com](http://www.merlynbathrooms.com)

FAILURE TO FOLLOW THE INSTRUCTIONS CORRECTLY MAY INVALIDATE YOUR GUARANTEE