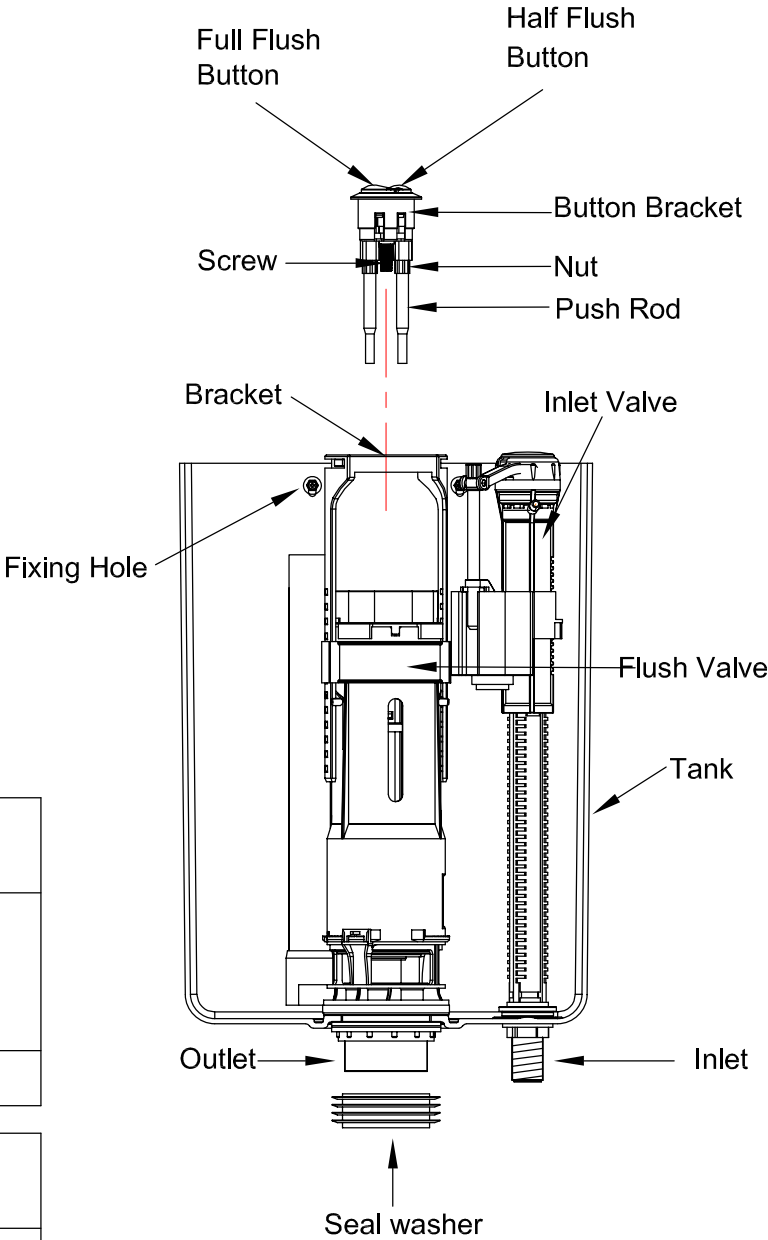
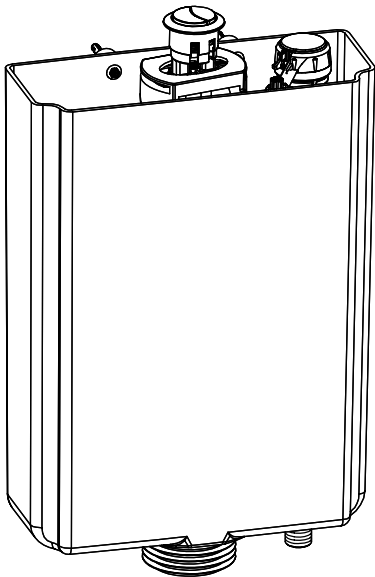
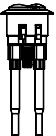
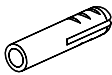
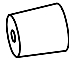





# Installation Instruction for Dual Flush Cistern Fittings with Plastic Cistern



**Parts Supplied:**

Dual Flush Button	Rawl Plug	Rubber Washer
		
1x	2x	2x
Fixing Screw	Iron Washer	Seal Washer
		
ST4.2 *50mm		
2x	2x	1x

**Note:**

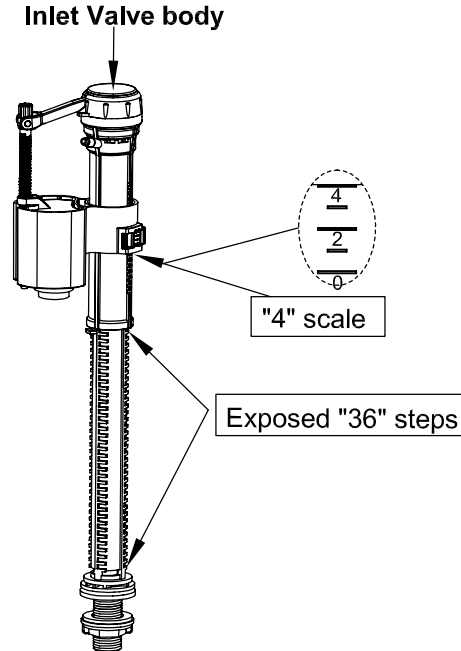
1. Please read these instructions carefully to ensure correct installation, and to avoid damage to the cistern.
2. Do not use bleach or bleach based cleaning products in the cistern, as these will cause damage to the seals. We cannot be held responsible or liable for any failure which results from the use of bleach based products.
3. Water temperature range +2 °C to +45 °C.
4. Water pressure 0.2 to 8 bar.

## Inlet Valve & Flush Valve Scale Setting

The Inlet Valve & Flush Valve are preset to perform the 6.0L of Full Flush volume and the 3.0L of Half Flush volume. If the preset scale setting need to be adjusted, please follow the diagram below.

**6.0 Litre Full Flush Volume**  
**3.0 Litre Half Flush Volume**

**Inlet Valve body**

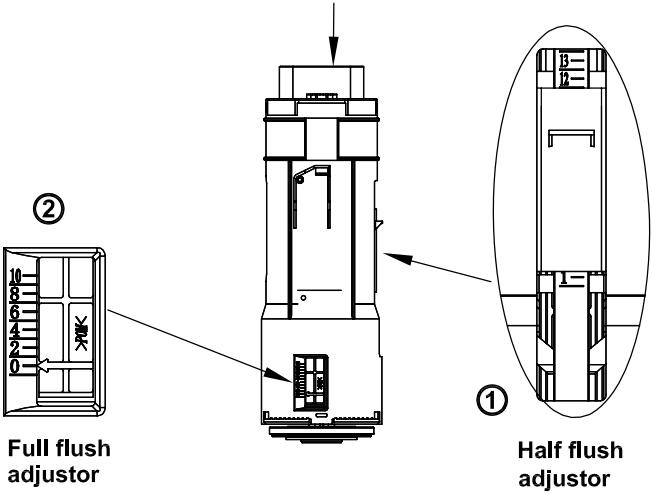


"4" scale

Exposed "36" steps

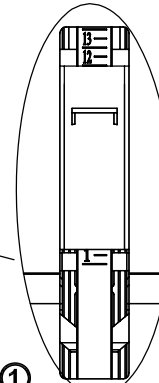
**Flush valve body**

②



**Full flush adjustor**

①



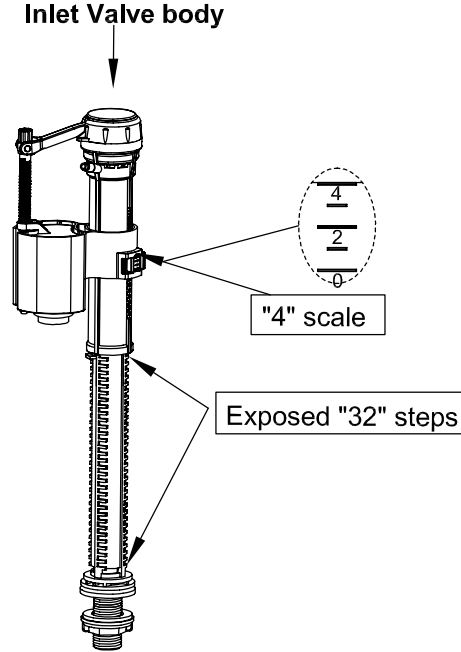
**Half flush adjustor**

① Adjust half flush adjustor:  
The half flush scale set at 12, to reach the half flush volume of 3.0 litres.

② Adjust full flush adjustor:  
The full flush adjustor set at 1, to reach full flush volume of 6.0 litres.

**4.5 Litre Full Flush Volume**  
**2.6 Litre Half Flush Volume**

**Inlet Valve body**

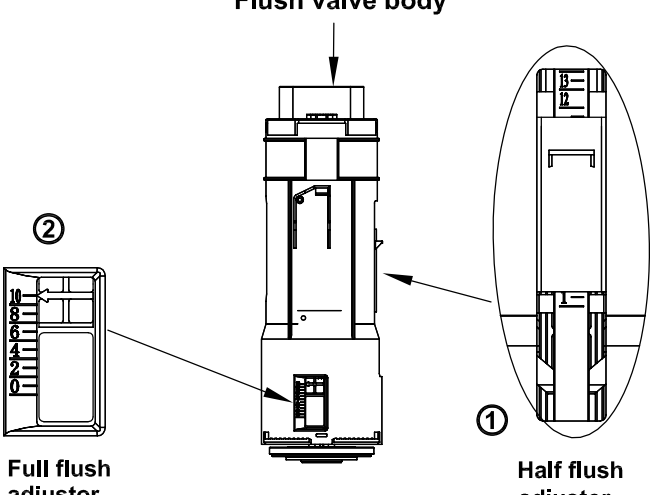


"4" scale

Exposed "32" steps

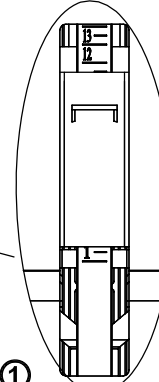
**Flush valve body**

②



**Full flush adjustor**

①

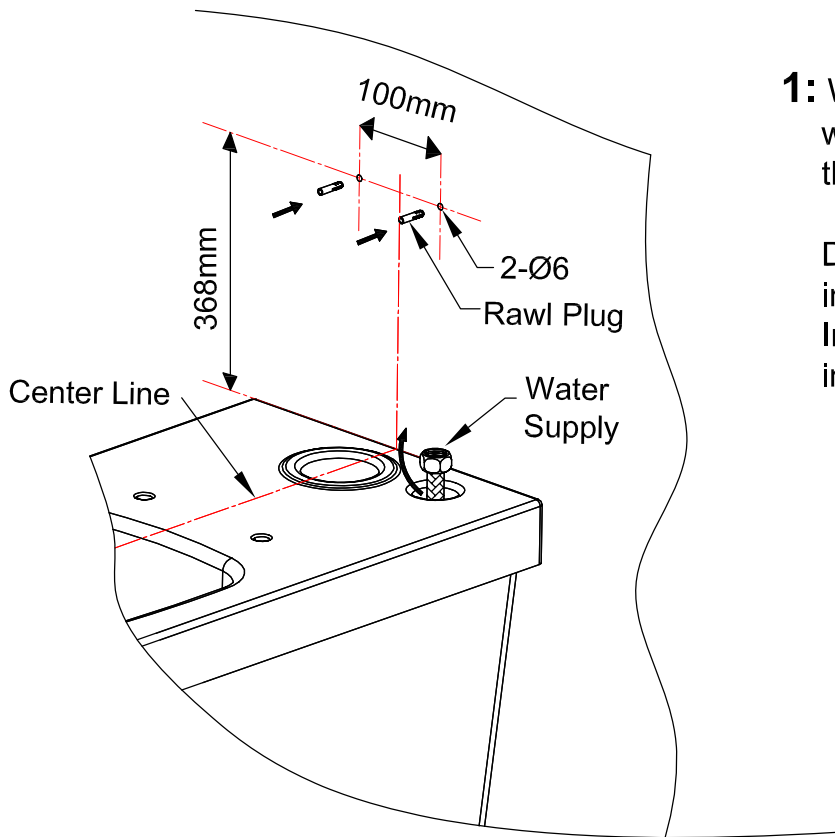


**Half flush adjustor**

① Adjust half flush adjustor:  
The half flush scale set at 11.5, to reach the half flush volume of 2.6 litres.

② Adjust full flush adjustor:  
The full flush adjustor set at "Full Open", to reach full flush volume of 4.5 litres.

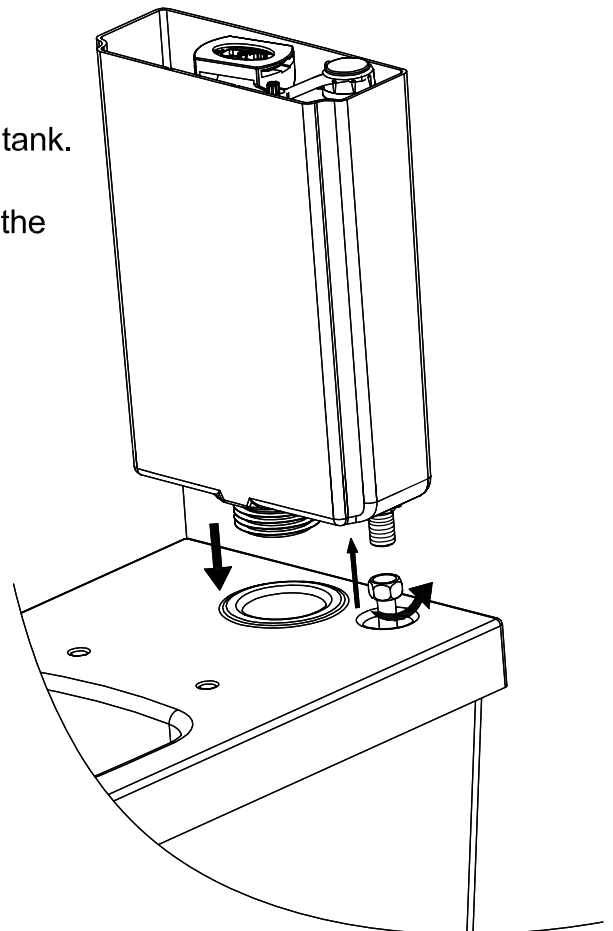
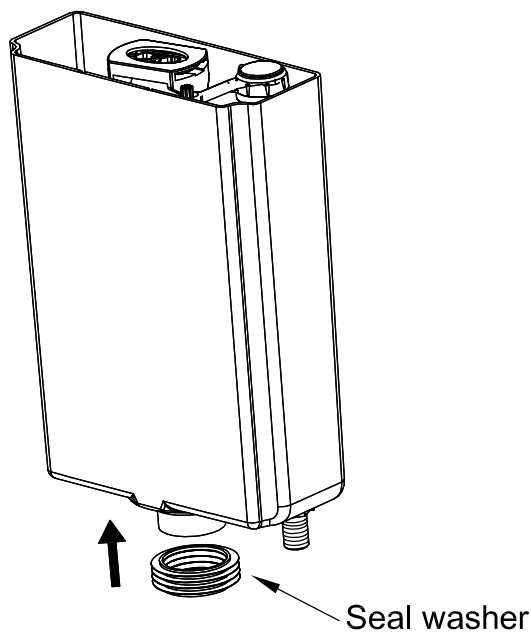
For the further information, please go to the Inlet Valve & Flush Valve Problem Solving pages ( 7, 8 & 9).



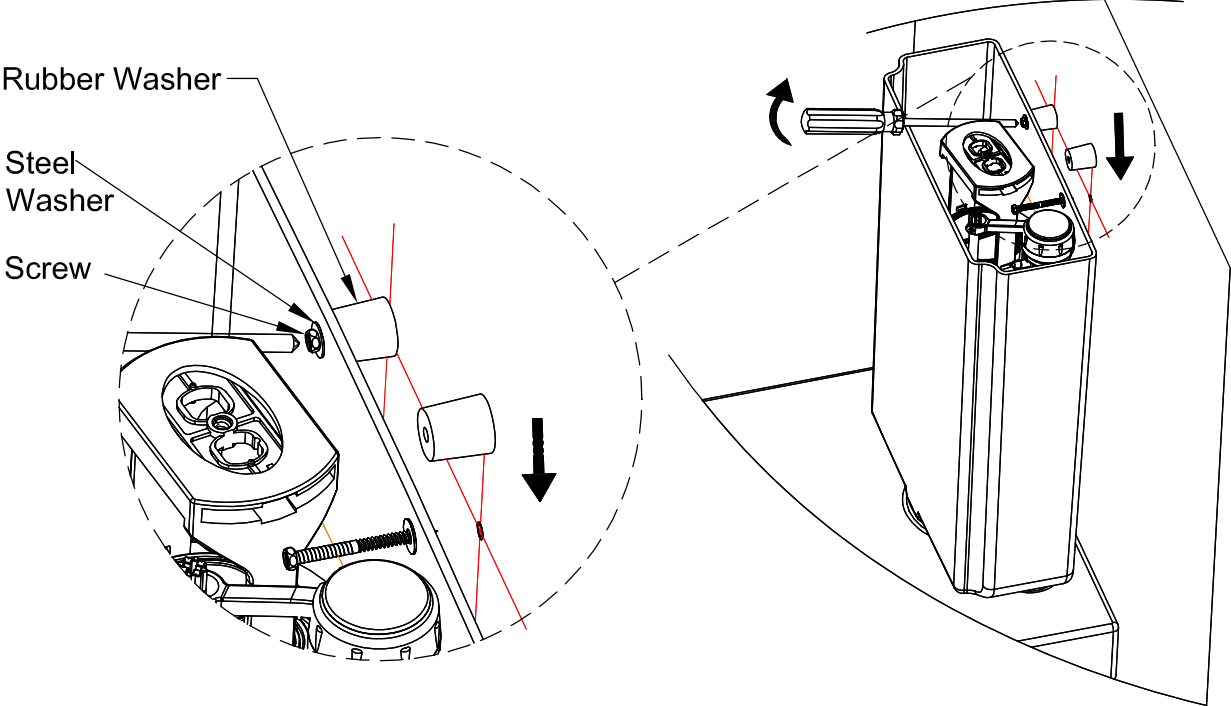
**1:** With the pan fixed into position, draw the water supply connector out of the pan through the access hole on the pan.

Drill two Ø6 holes into the wall as shown in the diagram on the left. Insert the two rawl plugs supplied into the holes.

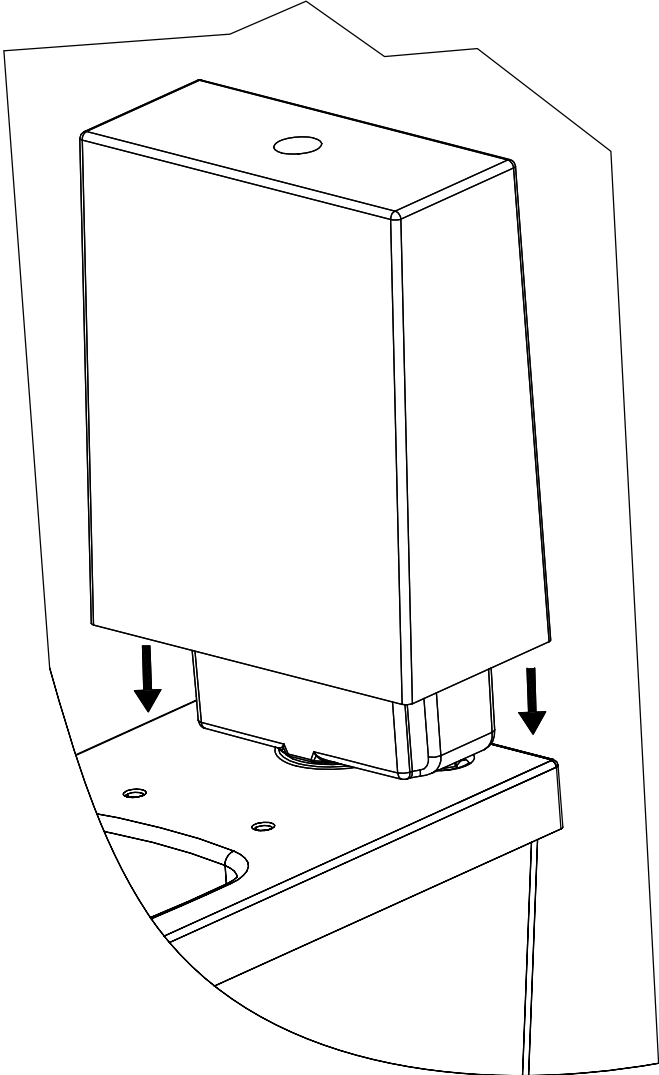
**2:** Fit the seal washer to the bottom outlet of the tank. Connect the water supply to the inlet valve. Insert the tank outlet into the pan by pressing the tank firmly into the pan.



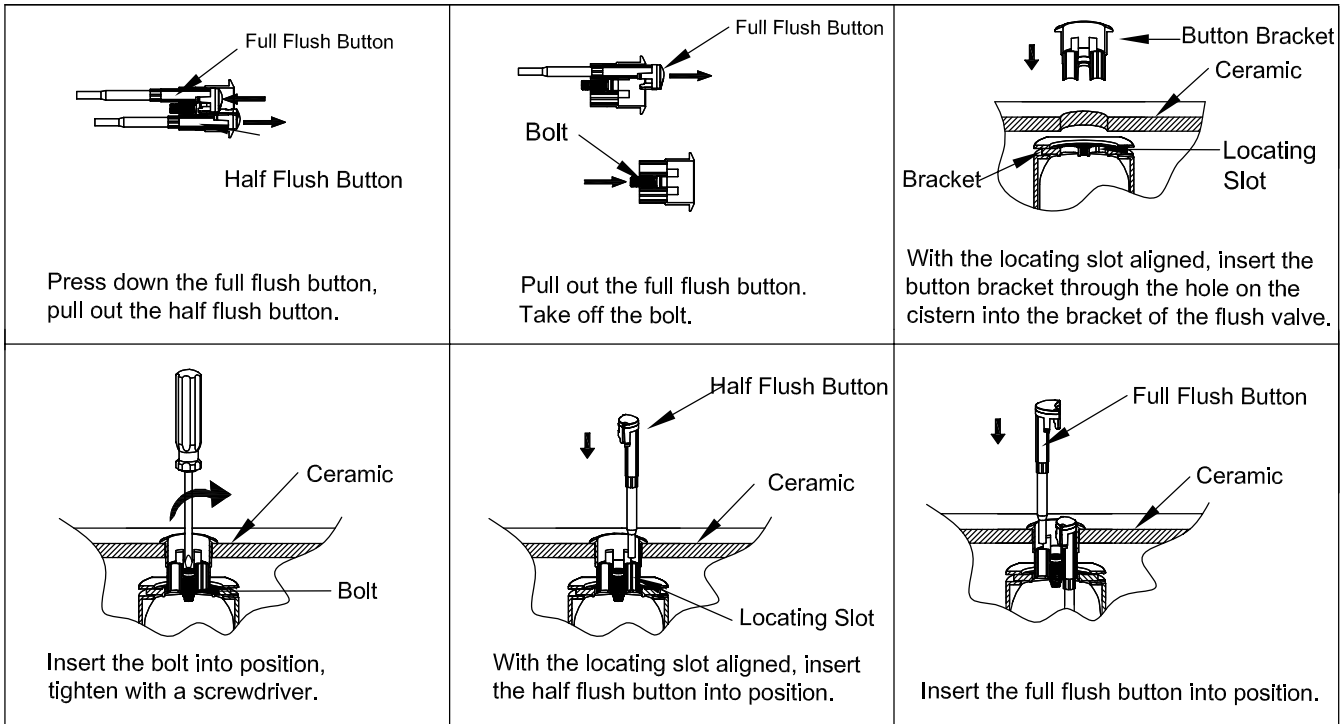
**3:** With the rubber washer placed between the wall and the tank, fix the tank to the wall with the screws.



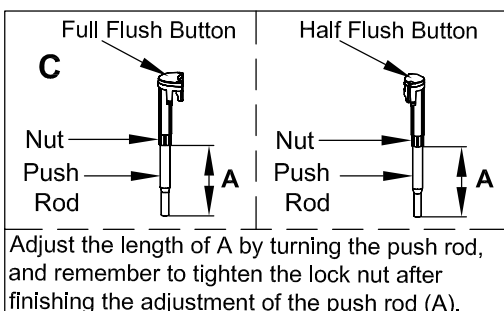
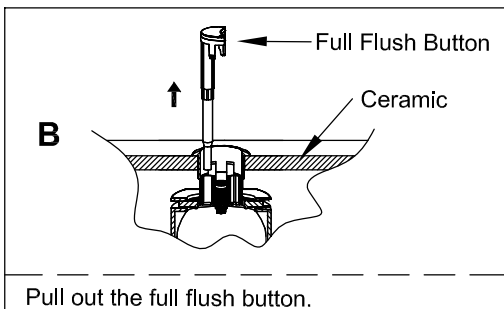
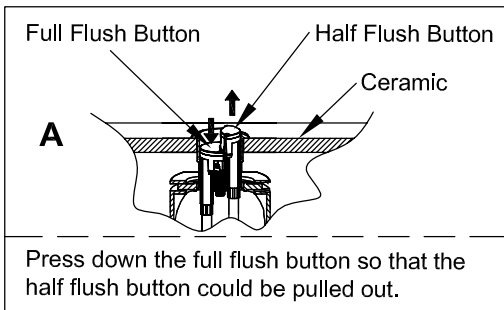
**4:** Place the ceramic cover over the tank.



## 5: Button installation

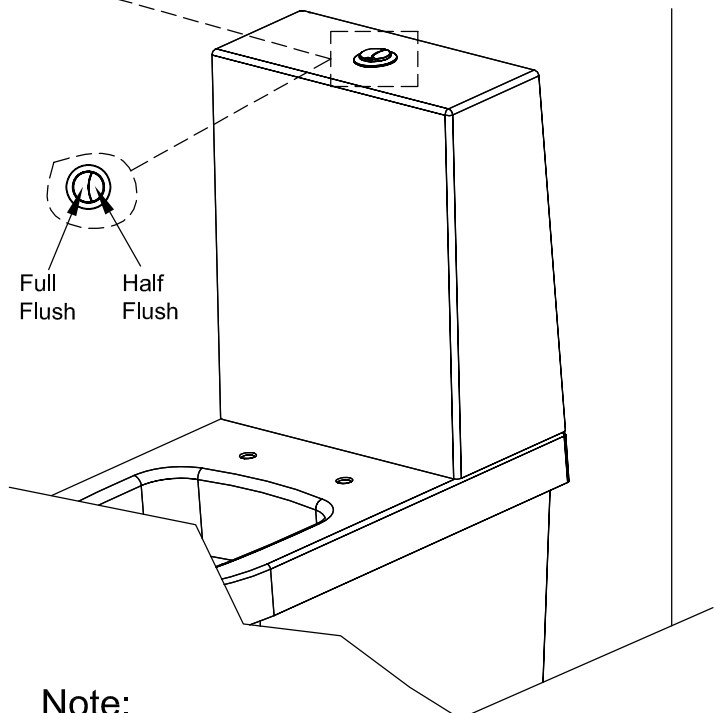


## 6: Testing and Adjusting



After installation check that the full flush and half flush are working correctly.

If the button is too low or high or the flush valve leaks water into the pan, adjust the length of the push rod as shown in the diagram on the left.



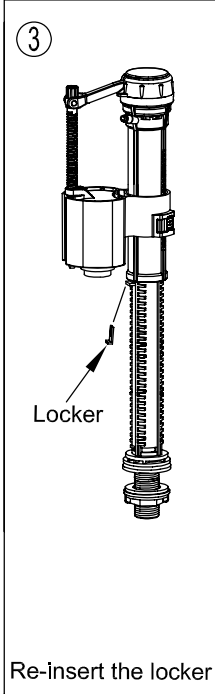
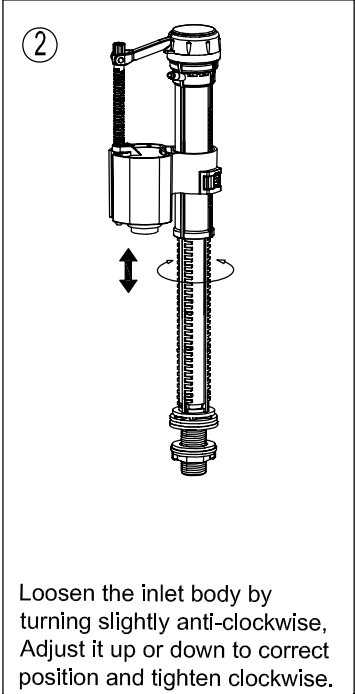
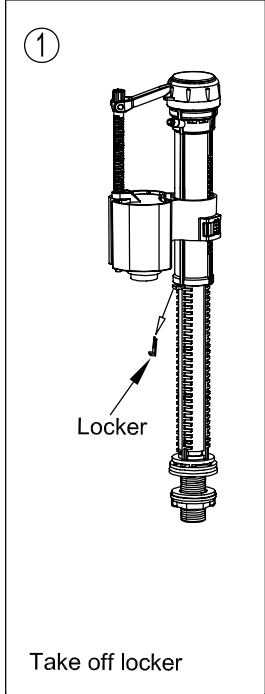
### Note:

Please consult the trouble shooting pages if there are any problems.

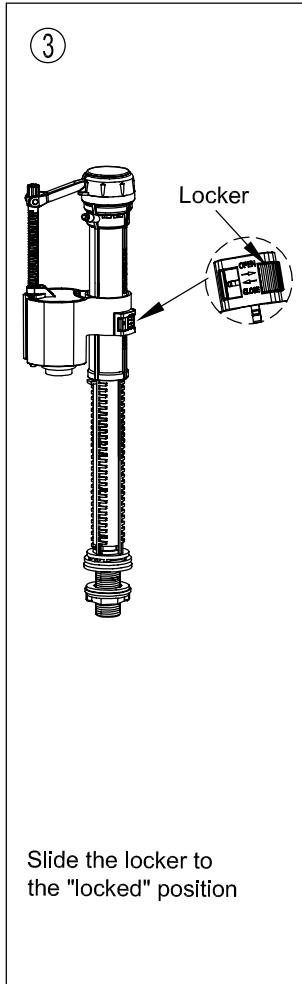
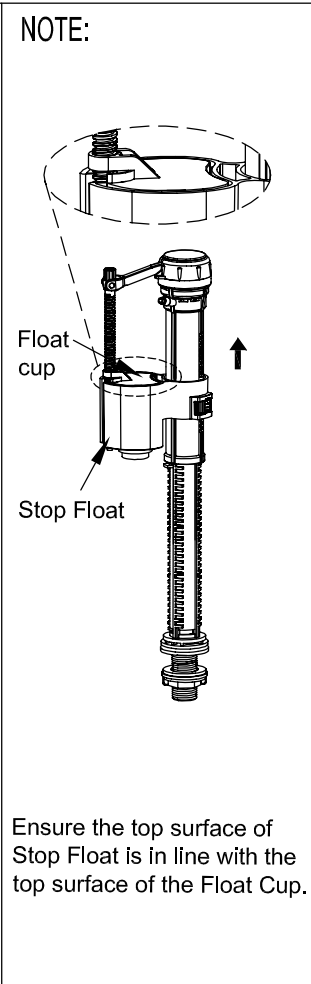
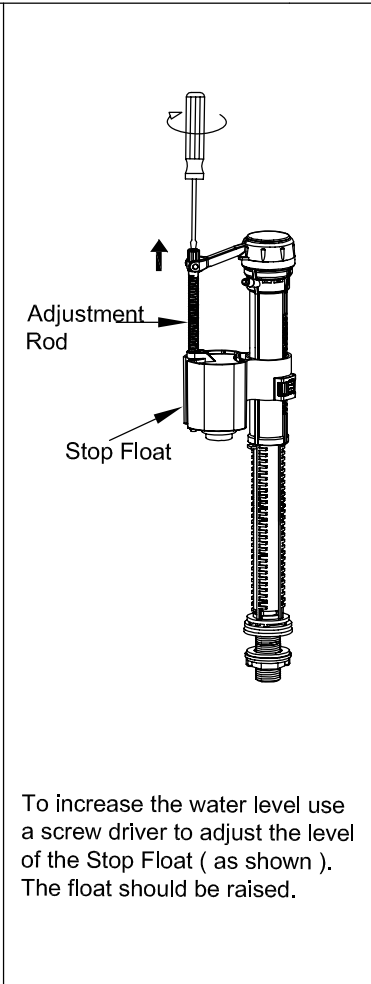
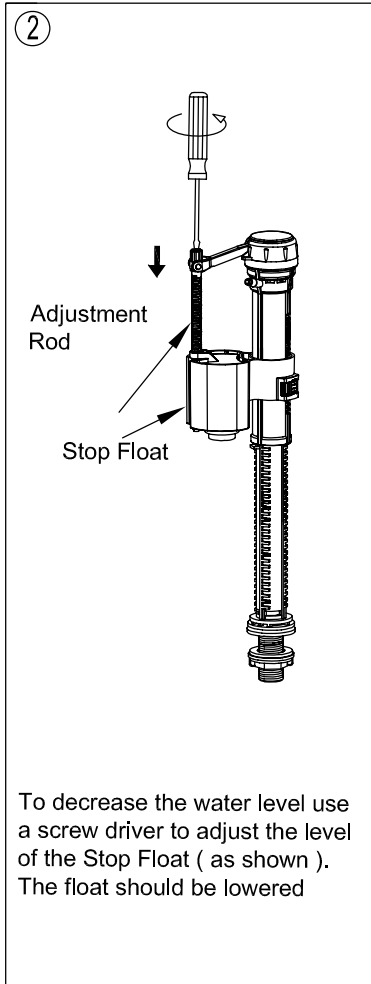
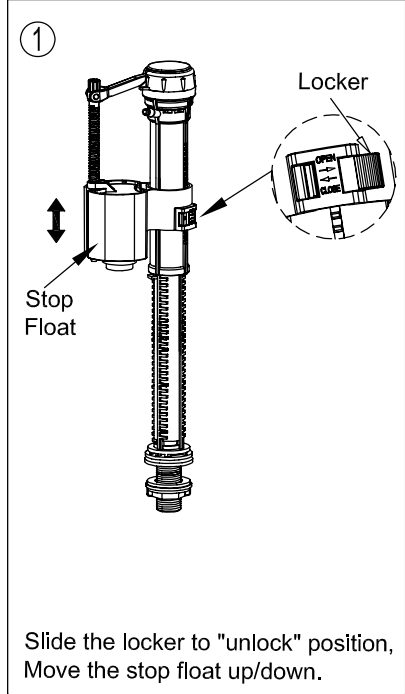
# Inlet Valve Installation And Problem Solving

## 1: Inlet Valve scale and adjustment settings

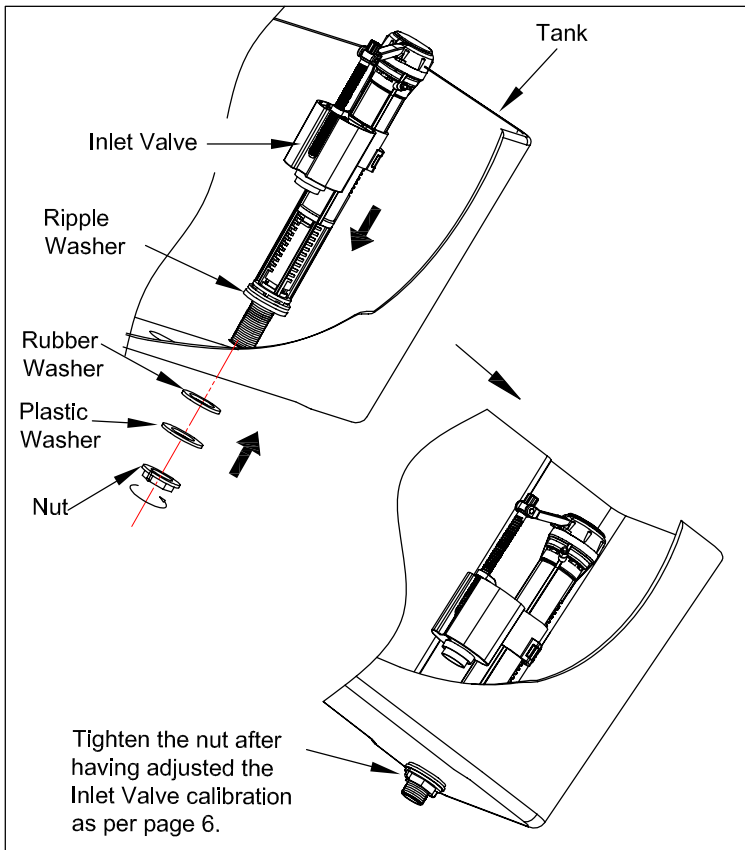
### A: Major water level adjustment



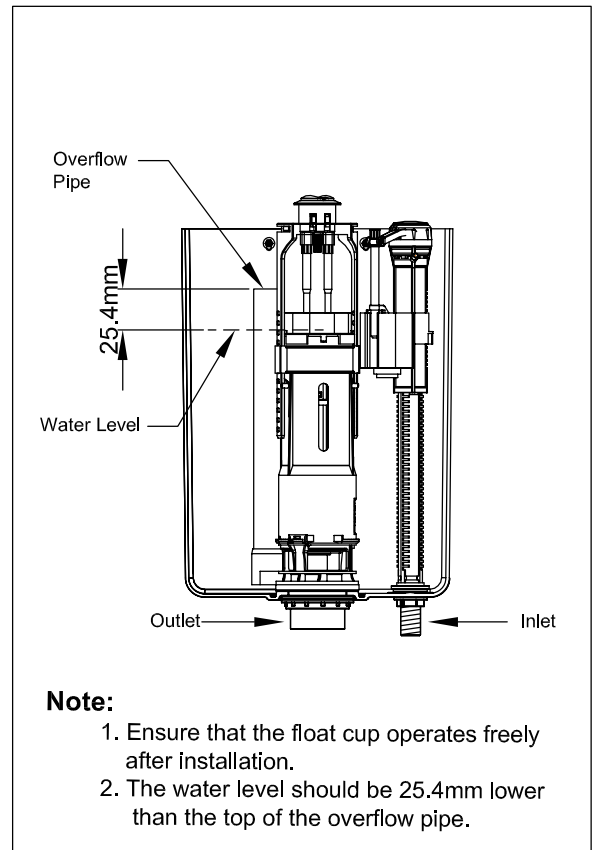
### B: Minor water level adjustment



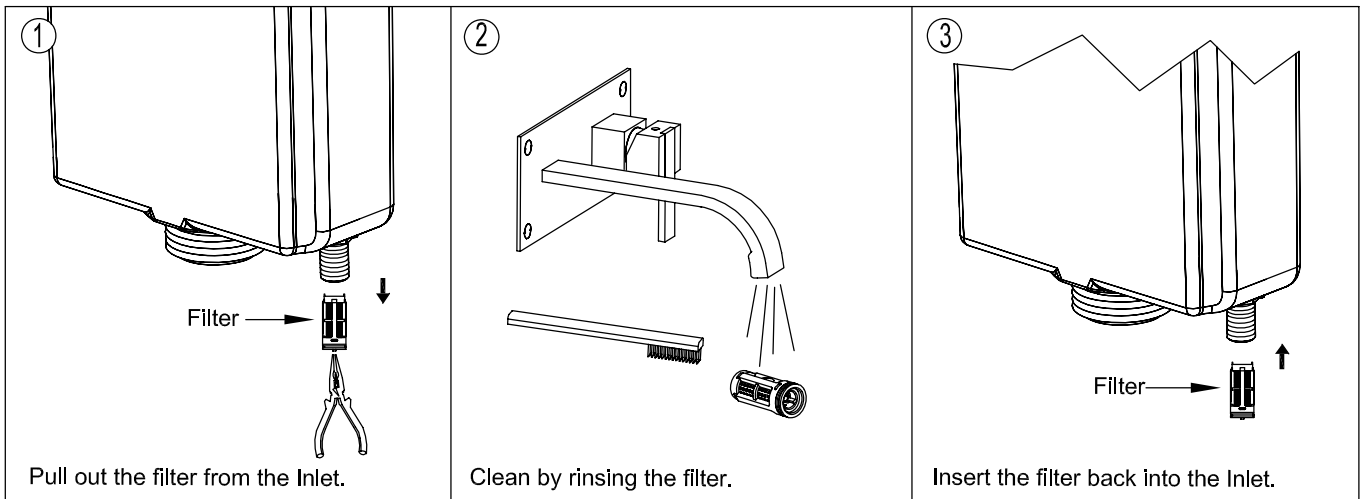
## 2: Inlet Valve installation



## 3: Testing Water Level



## 4: Filter cleaning (Please clean periodically)

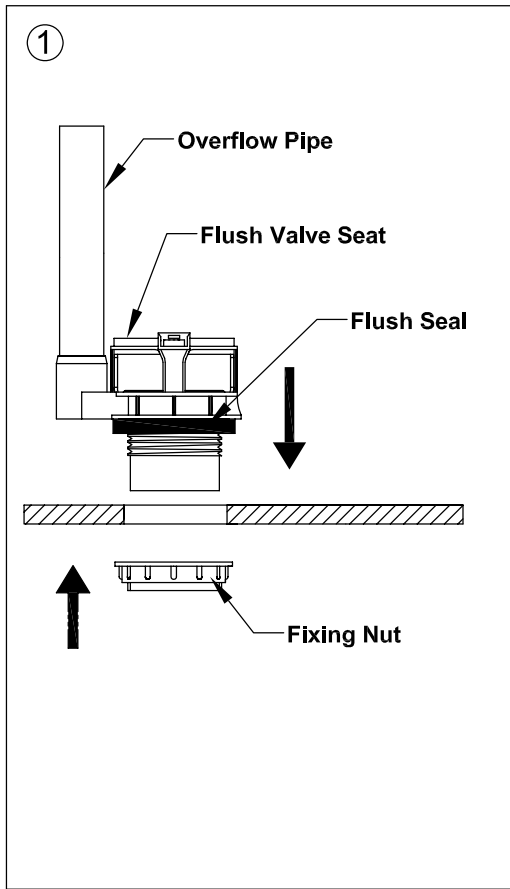


## 5: Inlet Valve trouble shooting

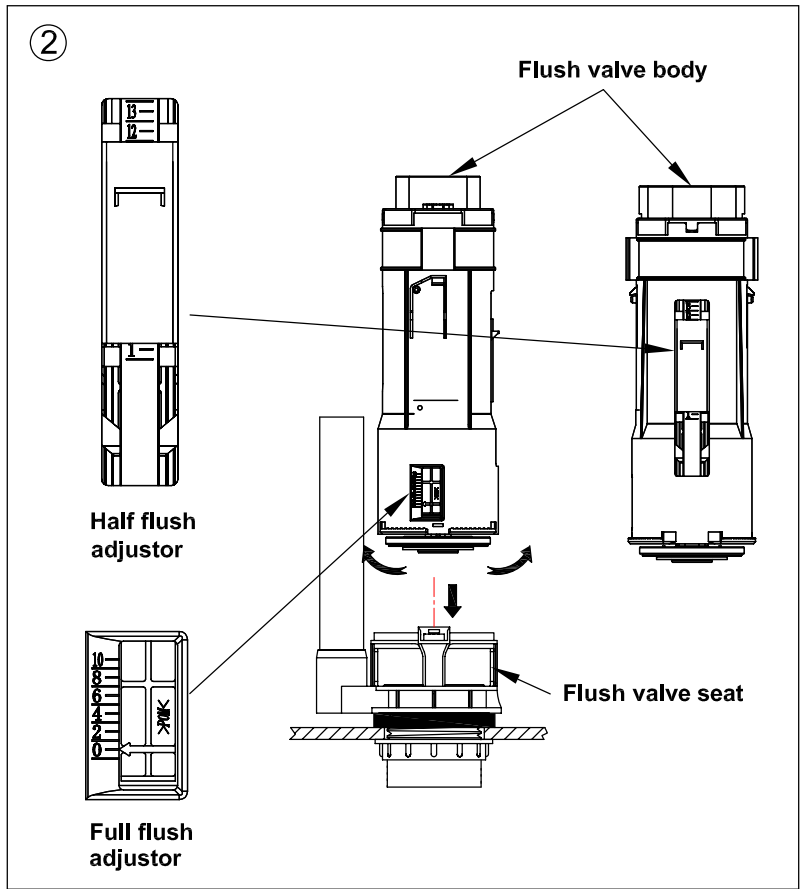
Problem	Reason	Solution
Incorrect water level	Incorrect adjustment.	Adjust the Water level correctly as per page 6.
Inlet Valve does not work	Water supply is closed.	Open the water supply.
	The filter is blocked.	Clean the filter.
Leakage	The Stop Float has been over adjusted beyond its operational range.	Reconnect the Adjustment Rod, and adjust the water level as per <b>A</b> on page 6.
	The Inlet Valve fixing nut has not been tightened.	Tighten the nut.

# Flush Valve Installation And Trouble Shooting

## I. Flush Valve installation and adjustment settings



Insert flush valve seat attached with flush seal into tank flush hole, then screw up the fixing nut.



Insert flush valve body into flush valve seat, rotate it until it fixes onto the clip.

1. Adjust half flush adjustor:
  - ① Move float up, half flush volume decreases.
  - ② Move float down, half flush volume increases.
2. Adjust full flush adjustor:
  - ① Move adjustor up, full flush volume decreases.
  - ② Move adjustor down, full flush volume increases.

## II. Flush Valve Problem Solution

Problem	Reason	Solution
Leakage	<ol style="list-style-type: none"> <li>1. Incorrect installation.</li> <li>2. The push rod is too long causing a gap between the valve and the seat.</li> <li>3. Flush valve seat does not fit on the flush valve body.</li> <li>4. Flush valve body is stuck.</li> </ol>	<ol style="list-style-type: none"> <li>1. Install again according to the correct installation procedure.</li> <li>2. Adjust the push rod length. <b>(see page 5)</b></li> <li>3. Install again, ensuring both surfaces are clean for a water tight seal.</li> <li>4. Take off and wash flush valve body.</li> </ol>
Can't flush, low flush or half flush volume	Push rod is too short.	Adjust the push rod length. <b>(see page 5)</b>
Half flush water level is too high or too low.	Water level is adjusted incorrectly.	Adjust water level.